

DH 15 / DH 30 / DH 60

EN

ORIGINAL INSTRUCTIONS
DEHUMIDIFIER



Table of contents

Notes regarding the instructions 2

Safety 2

Information about the device 4

Transport and storage 5

Assembly and start-up 6

Operation 9

Errors and faults 11

Maintenance 12


Technical annex 14


Disposal 22


Declaration of conformity 22

Notes regarding the instructions


Symbols


 **Warning of electrical voltage**
This symbol indicates dangers to the life and health of persons due to electrical voltage.

 **Warning**
This signal word indicates a hazard with an average risk level which, if not avoided, can result in serious injury or death.

 **Caution**
This signal word indicates a hazard with a low risk level which, if not avoided, can result in minor or moderate injury.

Note
This signal word indicates important information (e.g. material damage), but does not indicate hazards.

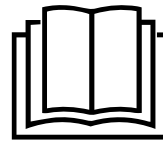
 **Info**
Information marked with this symbol helps you to carry out your tasks quickly and safely.

 **Follow the manual**
Information marked with this symbol indicates that the instructions must be observed.

You can download the current version of the instructions via the following link:



<https://hub.trotec.com/?id=42978>




<https://hub.trotec.com/?id=42979>



<https://hub.trotec.com/?id=42980>

Safety

Read this manual carefully before starting or using the device. Always store the manual in the immediate vicinity of the device or its site of use.

 **Warning**
Read all safety warnings and all instructions. Failure to follow the warnings and instructions may result in electric shock, fire and/or serious injury.
Save all warnings and instructions for future reference.

This appliance can be used by children aged from 8 years and above and persons with reduced physical, sensory or mental capabilities or lack of experience and knowledge if they have been given supervision or instruction concerning use of the appliance in a safe way and understand the hazards involved.

Children shall not play with the appliance. Cleaning and user maintenance shall not be made by children without supervision.

- Do not use the device in potentially explosive rooms or areas and do not install it there.
- Do not use the device in aggressive atmosphere.
- Let the device dry out after a wet clean. Do not operate it when wet.

- Do not use the device with wet or damp hands.
- Do not expose the device to directly squirting water.
- Do not cover the device during operation.
- Do not sit on the device.
- This device is not a toy. Keep away from children and animals. Do not leave the device unattended during operation.
- Check accessories and connection parts for possible damage prior to every use of the device. Do not use any defective devices or device parts.
- Ensure that all electric cables outside of the device are protected from damage (e.g. caused by animals). Never use the device if electric cables or the power connection are damaged!
- The mains connection must correspond to the specifications in the Technical annex.
- Insert the mains plug into a properly fused mains socket.
- Observe the device's power input, cable length and intended use when selecting extensions to the power cable. Completely unroll extension cables. Avoid electrical overload.
- Do not under any circumstances use the device if you detect damages on the mains plug or power cable. If the power cable is damaged, it must be replaced by the manufacturer, its service agent or similarly qualified persons in order to avoid a hazard.
Defective power cables pose a serious health risk!
- Before carrying out maintenance, care or repair work on the device, remove the mains plug from the mains socket. Hold onto the mains plug while doing so.
- Disconnect the power cable from the mains socket when the device is not in use.
- Observe the storage and operating conditions (see Technical data).
- Make sure that the air inlet and outlet are not obstructed.
- Make sure that the suction side is kept free of dirt and loose objects.
- Never insert any objects or limbs into the device.
- Do not remove any safety signs, stickers or labels from the device. Keep all safety signs, stickers and labels in legible condition.
- Only transport the device in an upright position with an emptied condensation tank or drain hose.
- Discharge the collected condensate before transport and storage. Do not drink it. Health hazard!
- Only use original spare parts, for otherwise safe and functional operation cannot be ensured.

Intended use

Only use the device as a stationary industrial dryer for drying and dehumidifying room air whilst adhering to the technical data and safety instructions.

Intended use comprises:

- drying and dehumidifying:
 - production plants, underground rooms
 - store rooms, archives, laboratories
 - rooms and areas after water damage caused by burst pipes or flooding
- keeping dry of:
 - instruments, devices, files
 - electrical control centres
 - moisture-sensitive goods, loads, etc.

Foreseeable misuse

- Do not place the device on wet or flooded ground.
- Do not place any objects, e.g. clothing, on the device.
- Do not use the device out of doors.
- Do not make any unauthorised modifications, alterations or structural changes to the device.
- Any use other than the intended use is regarded as a reasonably foreseeable misuse.

Personnel qualifications

People who use this device must:

- be aware of the dangers that occur when working with electric devices in damp areas.
- have read and understood the instructions, especially the Safety chapter.

Maintenance tasks which require the housing to be opened must only be carried out by specialist companies for cooling and air-conditioning or by Trotec.

Residual risks



Warning of electrical voltage

Work on the electrical components must only be carried out by an authorised specialist company!



Warning of electrical voltage

Before any work on the device, remove the mains plug from the mains socket!
Do not touch the mains plug with wet or damp hands.
Hold onto the mains plug while pulling the power cable out of the mains socket.



Warning

Dangers can occur at the device when it is used by untrained people in an unprofessional or improper way! Observe the personnel qualifications!



Warning

A falling device can cause injuries! **Always transport and assemble the device with the help of other persons.** Never stand below the device when it is suspended. Ensure adequate stability of the device's wall fixing.



Warning

The device is not a toy and does not belong in the hands of children.



Warning

Risk of suffocation!
Do not leave the packaging lying around. Children may use it as a dangerous toy.

Behaviour in the event of an emergency

1. In an emergency, disconnect the device from the mains feed-in: Hold onto the mains plug while pulling the power cable out of the mains socket.
2. Do not reconnect a defective device to the mains.

Information about the device

Device description

The dehumidifiers of the DH series uses the principle of condensation to automatically dehumidify rooms.

The fan sucks damp room air through the air inlet, the evaporator and the condenser located behind it. The air is cooled at the cold evaporator until it is below the dew point. Water vapour contained in the room air precipitates on the evaporator fins as condensation or rime. The dehumidified, cooled air is rewarmed at the condenser and blown out at a temperature of approx. 5 °C above room temperature.

The drier air, thus conditioned, mixes with the air in the room via the air outlet. The humidity in the room where the device is positioned is reduced as air constantly circulates through the device. Depending on the air temperature and the relative humidity, the condensed water either drops continuously or only during the defrost phase through the pre-assembled condensation drain hose and is discharged from the device.

To set the desired humidity level, a hygrostat with control dial is provided in the device's interior. This control dial can be easily accessed once the housing has been removed.

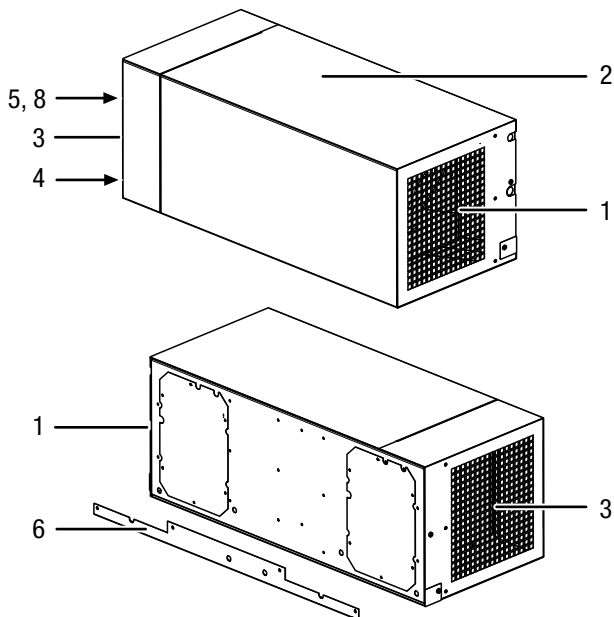
The device can reduce the relative humidity of a room to approx. 30 %.

Because of the heat radiation generated during operation, the room temperature may rise slightly.

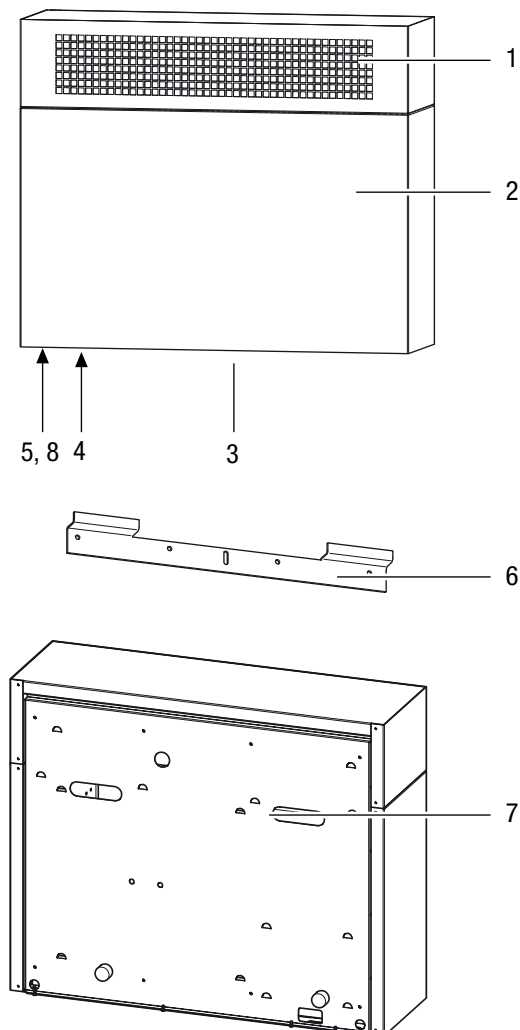
A high humidity level in the air (starting at 70 % RH) provides the perfect breeding ground for mould. However, the room air must not be too dry either (< 40 % RH). Materials such as leather or rubber become porous, and wood becomes brittle and fissured.

Device depiction

DH 15



DH 30 / DH 60



| No. | Designation |
|-----|---|
| 1 | Air outlet |
| 2 | Housing |
| 3 | Air inlet |
| 4 | Hose connector for condensation drain hose (inside the device) |
| 5 | Control dial hygrometer (tamper-proof installation inside the device) |
| 6 | Wall holder |
| 7 | Suspension |
| 8 | MODE switch |

Transport and storage

Note

If you store or transport the device improperly, the device may be damaged.
Note the information regarding transport and storage of the device.

Transport

Always utilize the help of another person to transport the DH 15 / DH 30. Always utilize the help of two other persons to transport the DH 60. Do not try to transport the device without the help of another person. To lift the device, use a forklift or an elevating truck as appropriate.

Before transporting the device, observe the following:

- Hold onto the mains plug while pulling the power cable out of the mains socket.
- Drain the remaining condensate from the device.
- Do not use the power cable to drag the device.

After transporting the device, proceed as follows:

- Set up the device in an upright position after transport.
- After having transported the device in horizontal position, leave the device to rest for 12 to 24 hours, so the refrigerant can accumulate within the compressor. Wait 12 to 24 hours before switching the device back on! Acting contrary might lead to compressor damage and a malfunctioning device. Any warranty claims will be voided in this case.

Storage

Before storing the device, proceed as follows:

- Drain the remaining condensate from the device.
- Hold onto the mains plug while pulling the power cable out of the mains socket.

When the device is not being used, observe the following storage conditions:

- Store the device in a dry location and protected from frost and heat.
- If required, use a cover to protect the device from invasive dust.
- Place no further devices or objects on top of the device to prevent it from being damaged.

Assembly and start-up

Scope of delivery

- 1 x device
- 1 x Wall holder
- 1 x Condensation drain hose, 10 mm diameter
- 1 x manual

Unpacking the device

1. Open the cardboard box and take the device out.
2. Completely remove the packaging.
3. Fully unwind the power cable. Make sure that the power cable is not damaged and that you do not damage it during unwinding.

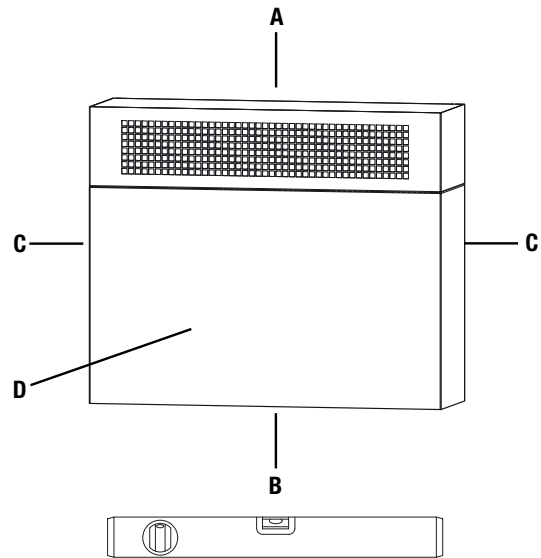
Assembly

Always utilize the help of another person to assemble the DH 15 / DH 30. Always utilize the help of two other persons to assemble the DH 60. Do not try to assemble the device without the help of another person. To lift the device, use a forklift or an elevating truck as appropriate.

Observe the following instructions:

- When assembling the device, keep a sufficient distance to heat sources.
- When assembling the device, especially in wet areas, secure the device locally with an RCD (Residual Current protective Device) which complies with the relevant regulations.
- Make sure that extension cables are unrolled completely.
- Insert the mains plug into a properly secured mains socket.

- When assembling the device, observe the minimum distance from adjacent walls or other objects as described in the Technical Data chapter.

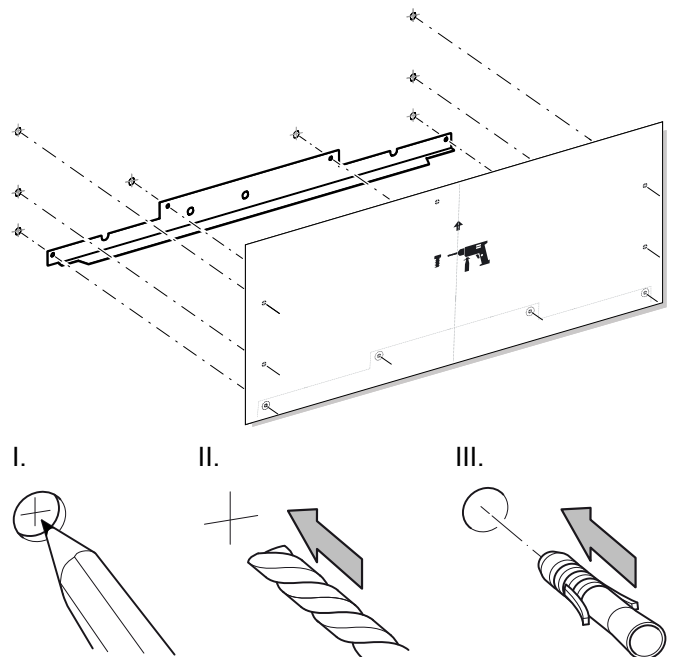


Assemble the device as follows:

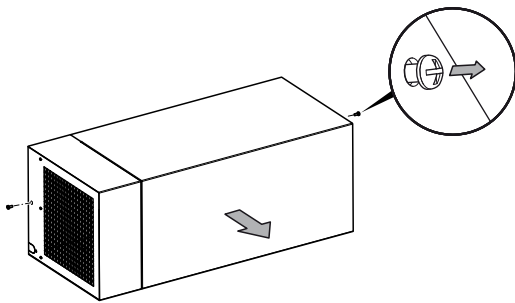
Select screw and wall plug sizes suitable for the weight of the device (see technical data) and the structure of the wall.

DH 15

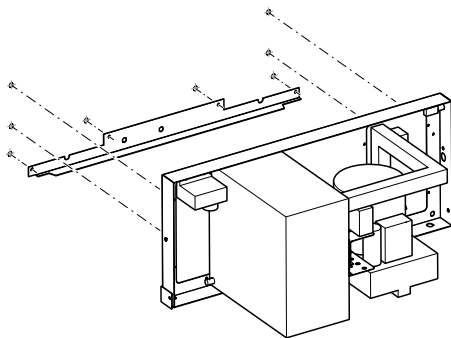
1. Mark the position for the bore holes.
2. Drill the holes into the wall.
3. Insert suitable wall plugs into the drill holes.



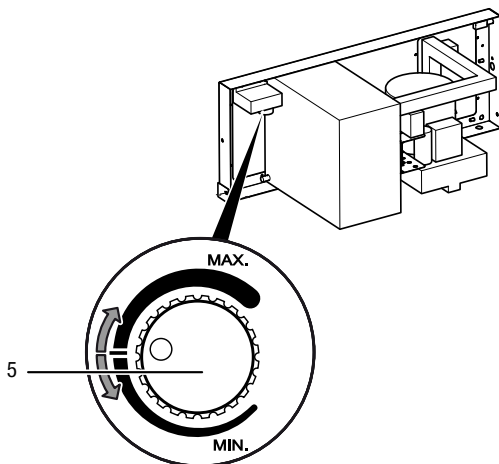
4. Remove the housing.



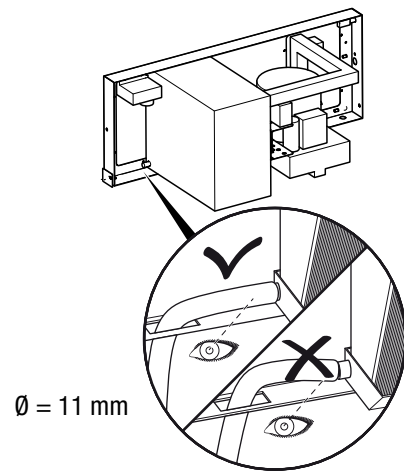
5. Screw the support rail and the device to the wall.



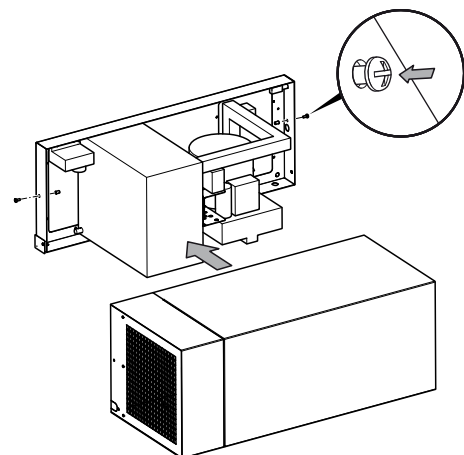
6. Set the control dial (5) to the desired humidity level.



7. Check whether the condensation drain hose is positioned correctly. The condensation drain hose must not be kinked.

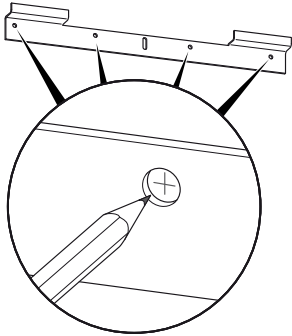


8. Put the housing back on the device.

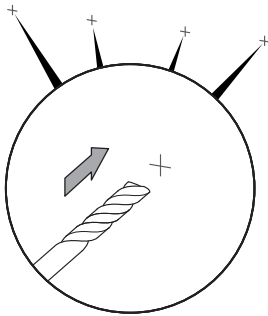


DH 30 / DH 60

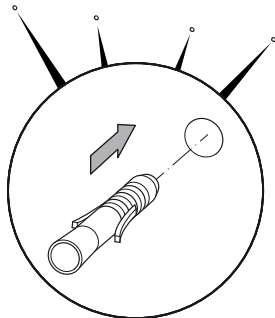
1. Mark the position for the bore holes.



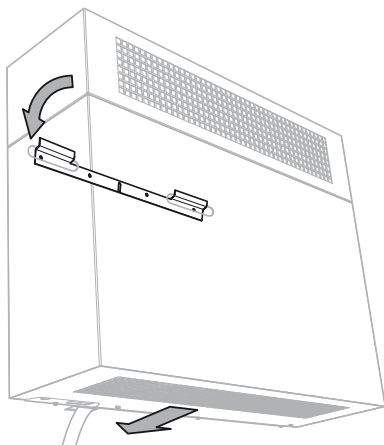
2. Drill the holes into the wall.



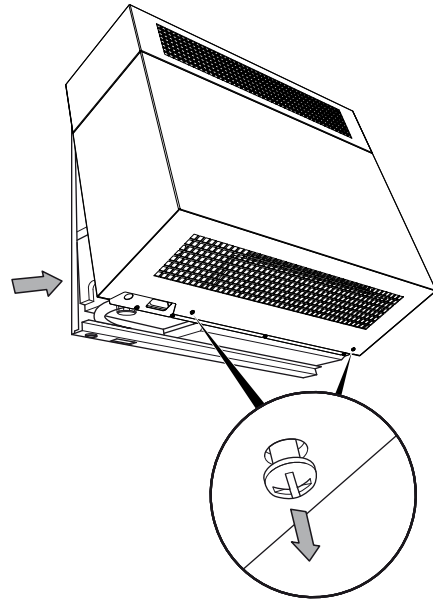
3. Insert suitable wall plugs into the drill holes.



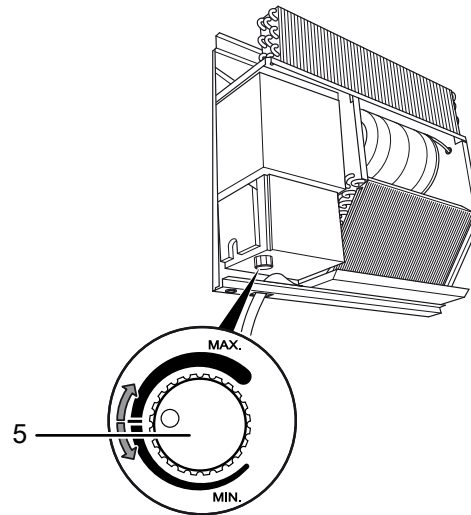
4. Screw the support rail to the wall.
5. Suspend the device from the wall holder by means of the mounting brackets. Utilize the help of one or two other persons as well as suitable lifting gear to do so.



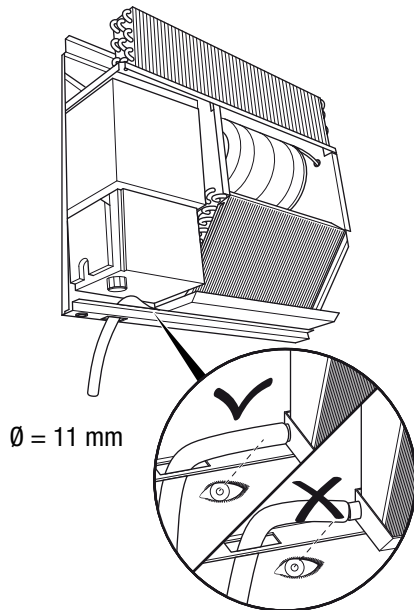
6. Remove the housing.



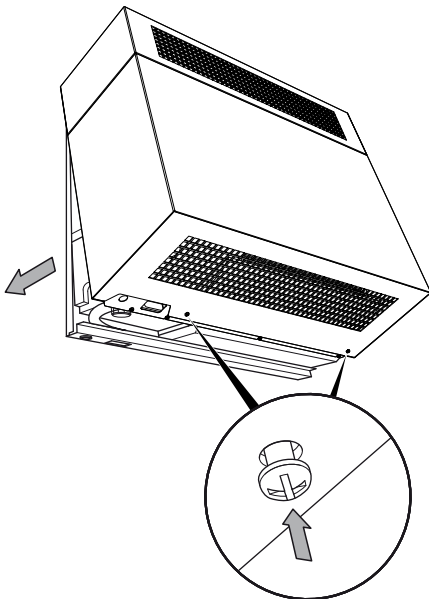
7. Set the control dial (5) to the desired humidity level.



8. Check whether the condensation drain hose is positioned correctly. The condensation drain hose must not be kinked.



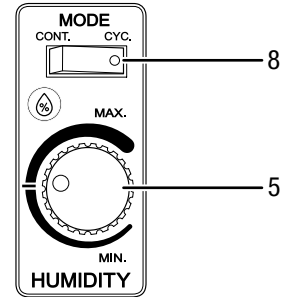
9. Put the housing back on the device.



Operation

- After being switched on, the device operates fully automatically.
- To ensure that the built-in sensor can correctly detect the humidity, the fan continues to operate until the device is switched off.
- Avoid open doors and windows.

Operating elements



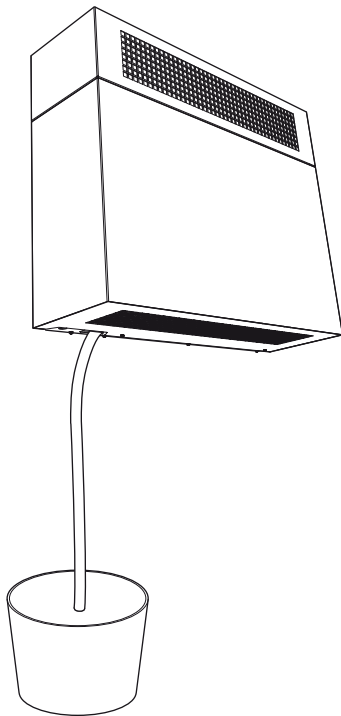
| No. | Designation | Meaning |
|-----|--------------|---|
| 5 | Control dial | For setting the desired humidity level |
| 8 | MODE switch | For setting the desired operating mode: <i>CONT.</i> = fan runs permanently. <i>CYC.</i> = fan switches on and off along with the compressor. |

Positioning the condensation drain hose

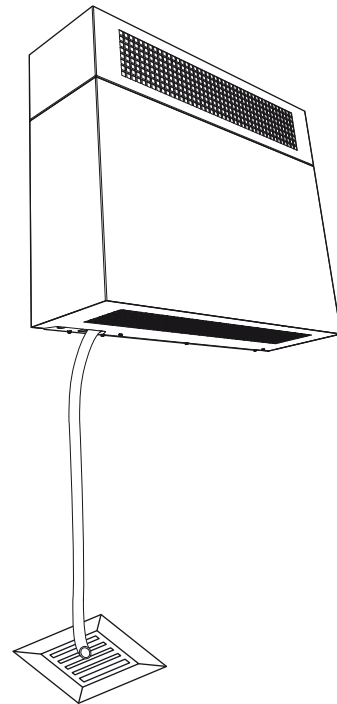
Note:

The condensation drain hose is already installed when the device is delivered.

1. Ensure that the condensation drain hose is properly connected to the device and is free of damage.
2. Depending on the application, position the end of the condensation drain hose as follows:
 - ⇒ Place a sufficiently dimensioned container (at least 20 litres) beside the device and insert the hose end. Check the filling level of the container regularly.



- ⇒ Position the end of the condensation drain hose near a water drain. For larger distances, a longer hose of the same type can also be used.



3. Regularly check the condensation drain hose for obstructions or kinks.

External condensate pump (optional)

The device can optionally be operated with an external condensate pump.

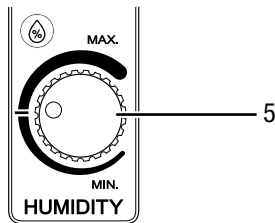
It can be obtained from Trotec as article number 6.100.000.019.

Switching the device on

1. Ensure that the condensation drain hose has been laid and connected properly. Do not create tripping hazards.
2. Ensure that the condensation drain hose is not bent or jammed and that there are no objects on the condensation drain hose.
3. Ensure that the condensation can run off properly.
4. Insert the mains plug into a properly secured mains socket.

Regulating the room humidity level

Set the desired humidity level via the control dial (5) of the hygostat.



Automatic defrost

If the room temperature is lower than 15 °C, the heat exchanger will freeze during dehumidification. The device will then carry out an automatic defrost. The duration of the defrost process can vary depending on the room temperature. The lower the temperatures, the longer the defrost period.

Shutdown



Warning of electrical voltage

Do not touch the mains plug with wet or damp hands.

- Hold onto the mains plug while pulling the power cable out of the mains socket.
- Remove the residual fluid from the condensation drain hose.
- Clean the device according to the Maintenance chapter.
- Store the device according to the Transport and storage chapter.

Errors and faults

The device has been checked for proper functioning several times during production. If malfunctions occur nonetheless, check the device according to the following list.

The device does not start:

- Check the power connection.
- Check the power cable for damages.
- Check the on-site fusing.
- Check the preselected humidity level at the hygostat's control dial. The humidity in the room must be above the selected range. Reduce the preselected desired humidity level.
- Have the electricians checked by a specialist company for cooling and air-conditioning or by Trotec.

The device is running, but there is no formation of condensate:

- Check whether the condensation drain hose is positioned correctly.
- Check the room temperature. Observe the device's permissible operating range according to the technical data.
- Ensure that the relative humidity complies with the technical data.
- Check the preselected humidity level at the hygostat's control dial. The humidity in the room must be above the selected range. Reduce the preselected desired humidity level.

The device is loud or vibrates:

- Check whether the device is mounted horizontally.
- Check the inside of the device for dirt. Clean the interior of the device if necessary.

The device gets very warm, is loud or loses power:

- Check the air inlets for dirt. Remove external dirt.
- Check the inside of the device for dirt. Clean the interior of the device if necessary.

Your device still does not operate correctly after these checks?

Please contact the customer service. If necessary, bring the device to a specialist company for cooling and air-conditioning or to Trotec for repair.

Maintenance

Maintenance intervals

| Maintenance and care interval | before every start-up | as needed | at least every 4 weeks | at least every 2 months | at least every 6 months | at least annually |
|--|-----------------------|-----------|------------------------|-------------------------|-------------------------|-------------------|
| Check air inlets and outlets for dirt and foreign objects and clean if necessary | X | | X | | | |
| Clean the exterior | | X | | | | X |
| Visually check the inside of the device for dirt | | X | | | | X |
| Check for damage | X | | | | | X |
| Check the attachment screws | | X | | | | X |
| Test run | | | | | | X |
| Empty the optional condensate pump, condensation tray and/or condenser dryer | | X | | | | |

Maintenance and care log

Device type:

Device number:

| Maintenance and care interval | 1 | 2 | 3 | 4 | 5 | 6 | 7 | 8 | 9 | 10 | 11 | 12 | 13 | 14 | 15 | 16 |
|--|---|---|---|---|---|---|---|---|---|----|----|----|----|----|----|----|
| Check air inlets and outlets for dirt and foreign objects and clean if necessary | | | | | | | | | | | | | | | | |
| Clean the exterior | | | | | | | | | | | | | | | | |
| Visually check the inside of the device for dirt | | | | | | | | | | | | | | | | |
| Check for damage | | | | | | | | | | | | | | | | |
| Check the attachment screws | | | | | | | | | | | | | | | | |
| Check the optional condensate pump and tank, and clean if necessary | | | | | | | | | | | | | | | | |
| Test run | | | | | | | | | | | | | | | | |
| Comments | | | | | | | | | | | | | | | | |

| | | | |
|-------------------------------------|-------------------------------------|-------------------------------------|-------------------------------------|
| 1. Date: Signature: | 2. Date: Signature: | 3. Date: Signature: | 4. Date: Signature: |
| 5. Date: Signature: | 6. Date: Signature: | 7. Date: Signature: | 8. Date: Signature: |
| 9. Date: Signature: | 10. Date: Signature: | 11. Date: Signature: | 12. Date: Signature: |
| 13. Date: Signature: | 14. Date: Signature: | 15. Date: Signature: | 16. Date: Signature: |

Activities required before starting maintenance



Warning of electrical voltage

Do not touch the mains plug with wet or damp hands.

- Hold onto the mains plug while pulling the power cable out of the mains socket.



Warning of electrical voltage

Maintenance tasks at the electrical equipment or the air-conditioning technology must only be carried out by specialist companies for cooling and air-conditioning or by Trotec.

Cleaning the housing

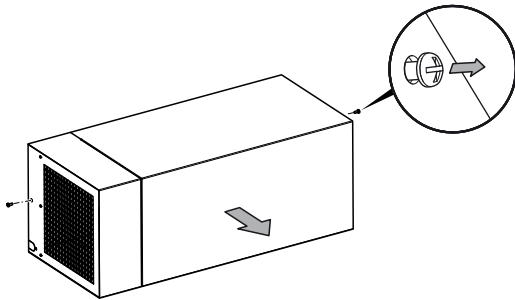
Clean the housing with a soft, damp and lint-free cloth. Make sure that no moisture enters the housing. Protect electrical components from moisture. Do not use any aggressive cleaning agents such as cleaning sprays, solvents, alcohol-based or abrasive cleaners to dampen the cloth.

Cleaning the inside of the device

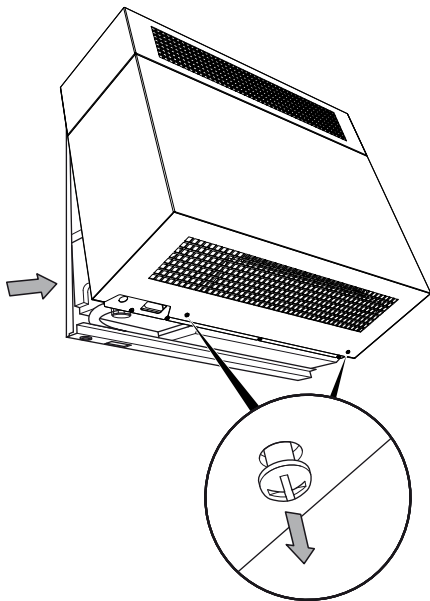
Perform this activity at least once a year.

1. Remove the housing.

⇒ DH 15

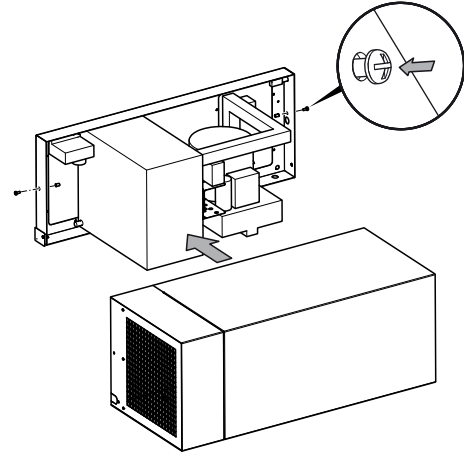


⇒ DH 30 / DH 60

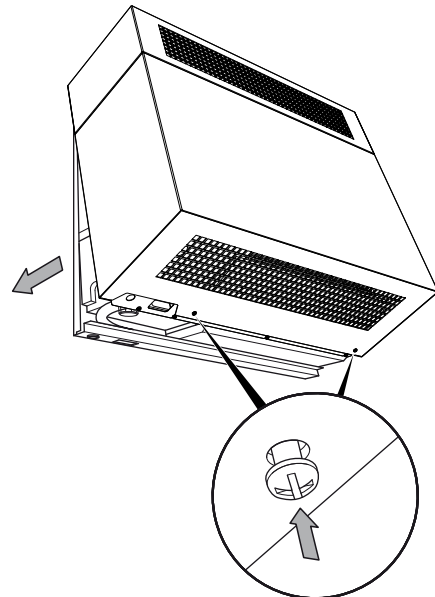


2. Remove heavy soiling on the inside of the device. If necessary, clean the interior of the device using compressed air or lukewarm soapsuds.
3. Put the housing back on the device.

⇒ DH 15



⇒ DH 30 / DH 60



Refrigerant circuit

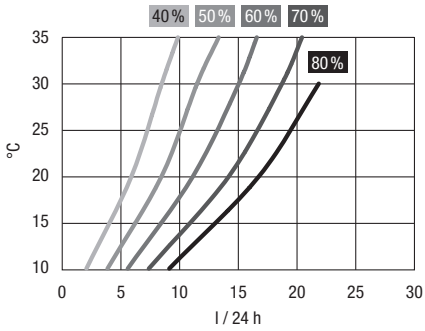
- The entire refrigerant circuit is a maintenance-free, hermetically sealed system and may only be maintained or repaired by specialist companies for cooling and air-conditioning or by Trotec.

Technical annex
Technical data

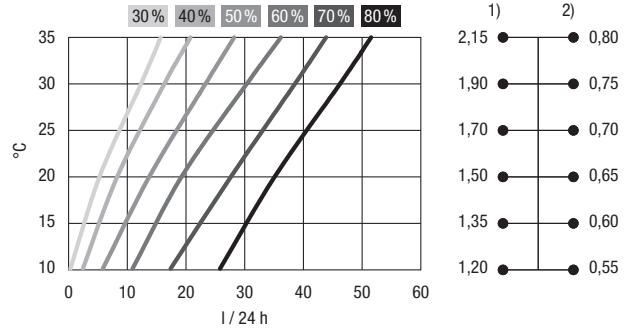
| Parameter | DH 15 | DH 30 | DH 60 |
|---|-------------------------------|-----------------------|-------------------------|
| Dehumidification performance | see dehumidification diagrams | | |
| Power supply | 220-240 V ~50 Hz | 220-240 V ~50 Hz | 220-240 V ~50 Hz |
| Power cable | CEE 7/7 / l = 3.5 m | CEE 7/7 / l = 3.5 m | CEE 7/7 / l = 3.5 m |
| Power input | 657 W | 922 W | 1.523 kW |
| Nominal/peak current | 3.7 A / 18 A | 4.2 A / 15.8 A | 7.5 A / 30 A |
| Heat emission | 0.9 kW | 1.9 kW | 3.5 kW |
| Coefficient of performance | 1.6 | 2.5 | 2.9 |
| Refrigerant | R-407C | R-407C | R-407C |
| GWP factor | 1,773.85 | 1.773.85 | 1.773.85 |
| CO ₂ equivalent | 0.851 t | 0.887 t | 1.419 t |
| Amount of refrigerant | 480 g | 500 g | 800 g |
| Air volume (freely blowing) | 225 m ³ /h | 635 m ³ /h | 1,165 m ³ /h |
| Sound pressure level @ 3 m | 49 dB(A) | 52 dB(A) | 54 dB(A) |
| Operating range temperature | 5 to 40 °C | 5 to 40 °C | 5 to 40 °C |
| Setting range relative humidity | 30 % to 60 % RH | | |
| Max. permissible relative humidity | 90 % RH | | |
| Weight | 37 kg | 47 kg | 70 kg |
| Dimensions (length x width x height) incl. wall holder | 365 x 840 x 330 mm | 255 x 790 x 651 mm | 255 x 1253 x 651 mm |
| Minimum distance to walls or other objects: | | | |
| A: top: | 12.5 cm | 12.5 cm | 12.5 cm |
| B: bottom: | 12.5 cm | 12.5 cm | 12.5 cm |
| C: side: | 12.5 cm | 12.5 cm | 12.5 cm |
| D: front: | 12.5 cm | 12.5 cm | 12.5 cm |

Dehumidification charts

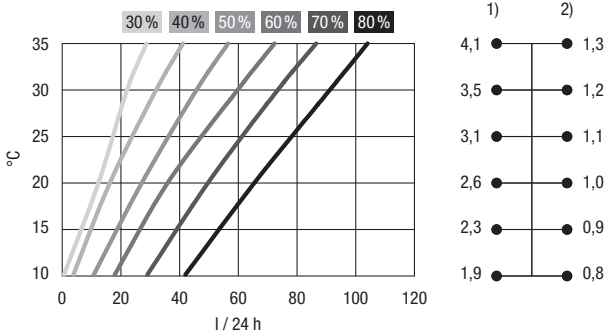
DH 15



DH 30

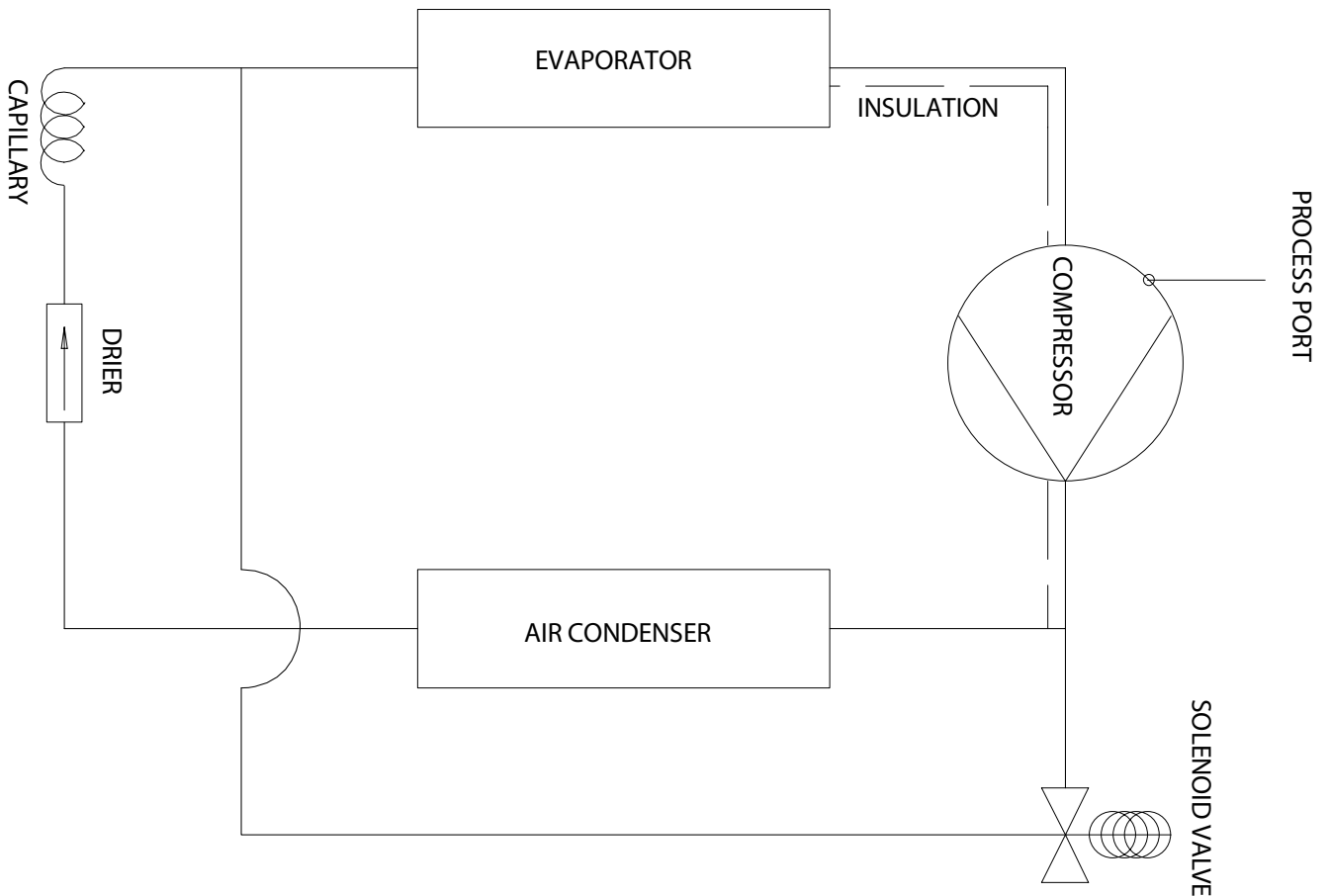


DH 60

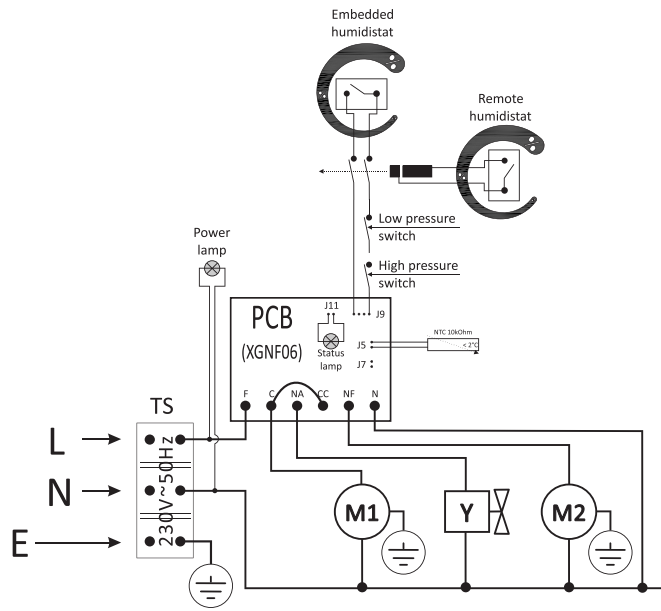


1) Heat emission in kW at 60 % RH
2) Power input in kW at 60 % RH

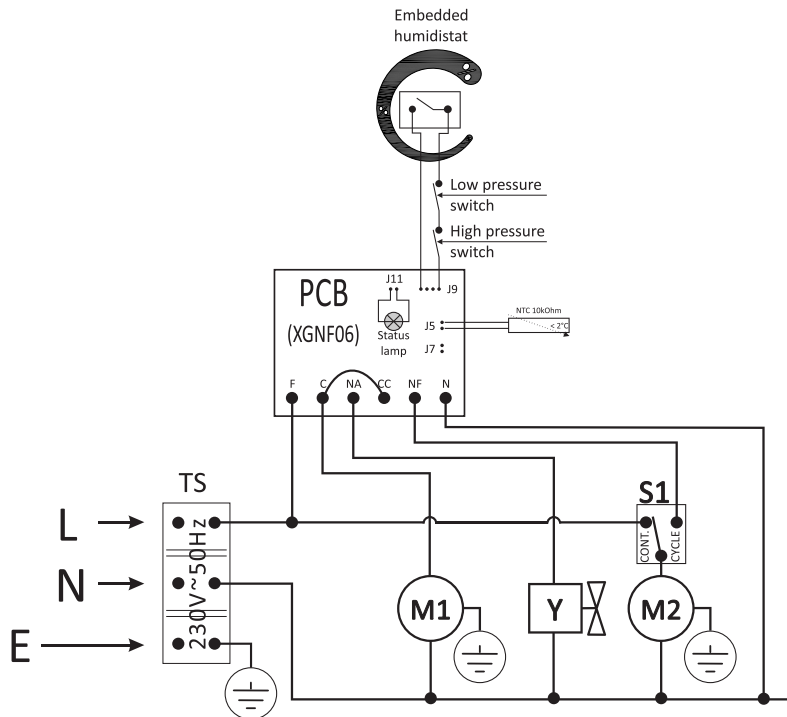
Refrigerant circuit diagram



Wiring diagram DH 15



Wiring diagram DH 30 / DH 60

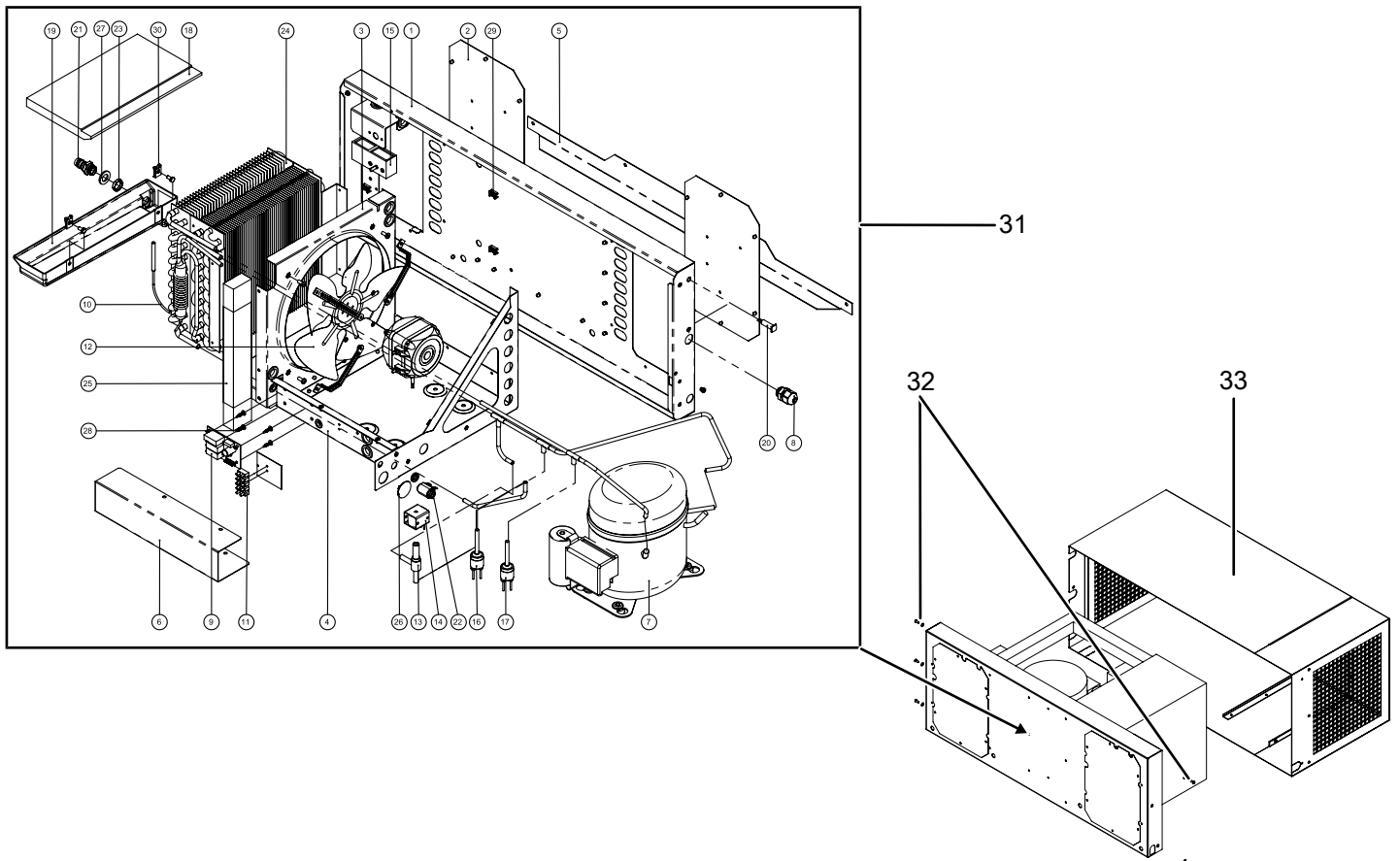


Exploded assembly drawing DH 15



Info

The position numbers of the spare parts differ from those describing the positions of the components mentioned in these instructions.



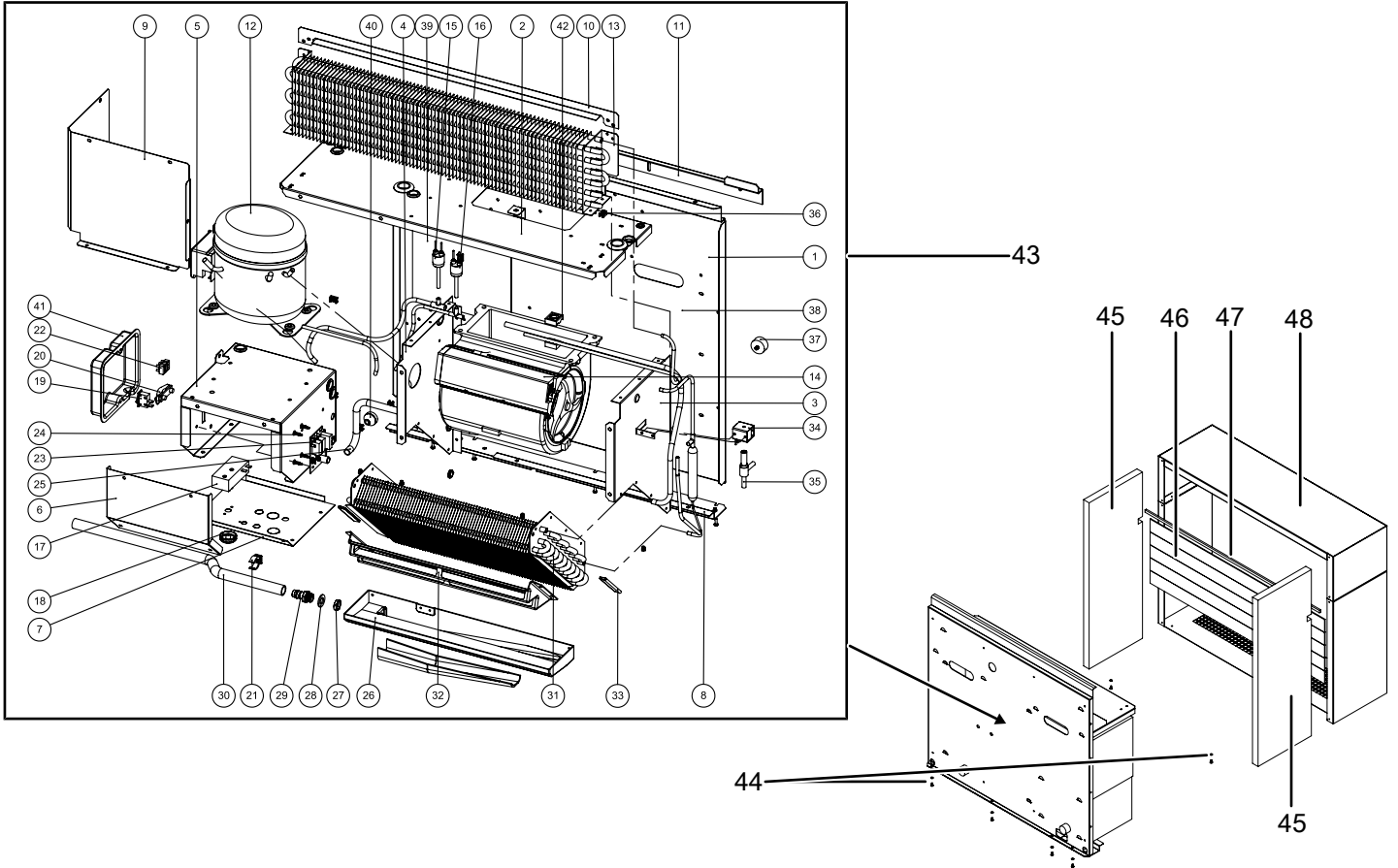
| NO. | SPARE PART | QTY. | NO. | SPARE PART | QTY. |
|-----|------------------------------------|------|-----|---|------|
| 1 | Structural Back | 1 | 18 | Isulation EPS | 1 |
| 2 | Structural cover back | 2 | 19 | Water Pan | 1 |
| 3 | Ventilation duct | 1 | 20 | Tank Warning Lamp | 1 |
| 4 | Base Plate | 1 | 21 | Racord 3/8"G | 1 |
| 5 | Wall Support | 1 | 22 | Remote humidistat socket | 1 |
| 6 | Electrical control cover | 1 | 23 | Nut 3/8"G | 1 |
| 7 | Compressor | 1 | 24 | Heat exchanger Kit | 1 |
| 8 | Cable gland | 1 | 25 | Placa Espuma 255x45x25 | 2 |
| 9 | Electronic Controller | 1 | 26 | Cover insert Ø22 | 1 |
| 10 | Defrost Sensor | 1 | 27 | O'Ring TPE Ø25 x Ø14 x 2.5 | 1 |
| 11 | Terminal strip 5W | 1 | 28 | PCB spacer | 4 |
| 12 | Fan motor Ø250 (complete assembly) | 1 | 29 | Cable tie mounts | 12 |
| 13 | Defrost valve | 1 | 30 | Speed nut | 1 |
| 14 | Defrost valve coil | 1 | 31 | Basic device | 1 |
| 15 | Hygrostat | 1 | 32 | Screw (DIN 7380 - M4x10) with washer (DIN 125 - AØ4,3) | 5 |
| 16 | High pressure switch | 1 | 33 | Housing Z-EK-DH15 | 1 |
| 17 | Low pressure switch | 1 | | | |

Exploded assembly drawing DH 30



Info

The position numbers of the spare parts differ from those describing the positions of the components mentioned in these instructions.



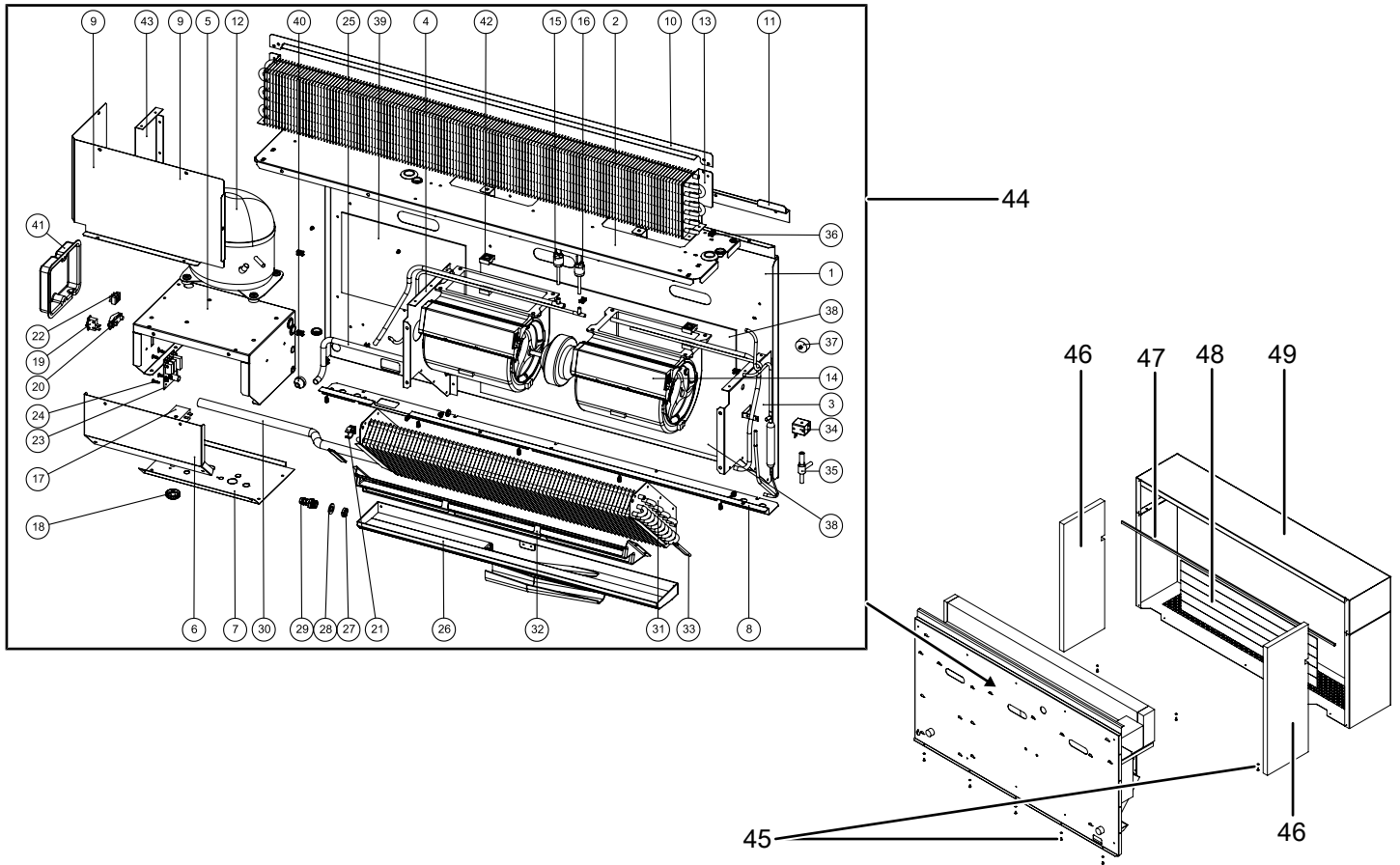
| NO. | SPARE PART | QTY. | NO. | SPARE PART | QTY. |
|-----|------------------------------------|------|-----|--|------|
| 1 | Structural Back | 1 | 25 | Humidistat venting hose | 1 |
| 2 | Condensing coil base plate | 1 | 26 | Water pan | 1 |
| 3 | Right side panel | 1 | 27 | Nut for hose fitting | 1 |
| 4 | Left side panel | 1 | 28 | Sealing washer | 1 |
| 5 | Compressor base plate | 1 | 29 | Hose | 1 |
| 6 | Control's cover | 1 | 30 | Hose | 1 |
| 7 | Dashboard | 1 | 31 | Evaporating coil | 1 |
| 8 | Botton housing profile | 1 | 32 | Drops tray | 1 |
| 9 | Compressor cover | 1 | 33 | Edge profile | 2 |
| 10 | Condensing coil insulating profile | 1 | 34 | Defrost valve coil | 1 |
| 11 | Wall bracket | 1 | 35 | Defrost valve | 1 |
| 12 | Compressor | 1 | 36 | Cable tie mount | 8 |
| 13 | Condensing coil | 1 | 37 | Absorber feet | 2 |
| 14 | Fan | 1 | 38 | Insulation foam | 1 |
| 15 | Low pressure switch | 1 | 39 | Acoustic insulation foam | 1 |
| 16 | High pressure switch | 1 | 40 | Cable Gland | 1 |
| 17 | Humidistat | 1 | 41 | Power supply cover | 1 |
| 18 | Humidistat knob | 1 | 42 | Copper tube bracket | 2 |
| 19 | Fan mode switch | 1 | 43 | Basic device | 1 |
| 20 | Cable clamp | 1 | 44 | Screw (DIN 7985 - M4 x 8) with washer (detent-edged washer SKK4 Ø4,3xØ8,2x1,2) | 2 |
| 21 | Pipe clip | 1 | 45 | Insulation | 2 |
| 22 | Terminal strip | 1 | 46 | self-adhesive sealing tape (B/H=50/3mm L=785mm) | 5 |
| 23 | Electronic controller | 1 | 47 | self-adhesive sealing tape (B/H=9/6mm L=785mm) | 1 |
| 24 | PCB spacer | 4 | 48 | Housing SBG-01954-01 | 1 |

Exploded assembly drawing DH 60



Info

The position numbers of the spare parts differ from those describing the positions of the components mentioned in these instructions.



| NO. | SPARE PART | QTY. | NO. | SPARE PART | QTY. |
|-----|------------------------------------|------|-----|---|------|
| 1 | Structural Back | 1 | 26 | Water pan | 1 |
| 2 | Condensing coil base plate | 1 | 27 | Nut for hose fitting | 1 |
| 3 | Right side panel | 1 | 28 | Sealing washer | 1 |
| 4 | Left side panel | 1 | 29 | Hose | 1 |
| 5 | Compressor base plate | 1 | 30 | Hose 5/8" | 1 |
| 6 | Control cover | 1 | 31 | Evaporator coil | 1 |
| 7 | Dashboard | 1 | 32 | Drops tray | 1 |
| 8 | Botton housing profile | 1 | 33 | Edge profile | 2 |
| 9 | Compressor cover | 1 | 34 | Defrost valve coil | 1 |
| 10 | Condensing coil insulating profile | 1 | 35 | Defrost valve | 1 |
| 11 | Wall bracket | 1 | 36 | Cable tie mount | 12 |
| 12 | Compressor | 1 | 37 | Absorber feet | 2 |
| 13 | Condensator coil | 1 | 38 | Insulation foam | 1 |
| 14 | Fan | 1 | 39 | Acoustic insulation foam | 1 |
| 15 | Low pressure switch | 1 | 40 | Cable Gland | 1 |
| 16 | High pressure switch | 1 | 41 | Power supply cover | 1 |
| 17 | Humidistat | 1 | 42 | Copper tube bracket | 4 |
| 18 | Humidistat knob | 1 | 43 | Compressor strength support | 1 |
| 19 | Fan mode switch | 1 | 44 | Basic device | 1 |
| 20 | Cable clamp | 1 | 45 | Screw (DIN 7985 - M4 x 10) with washer (detent-edged washer Ø4,3xØ8,2x1,2) | 3 |
| 21 | Pipe clip | 1 | 46 | Insulation | 2 |
| 22 | Terminal strip | 1 | 47 | self-adhesive sealing tape (B/H=9/6mm L=1250mm) | 1 |
| 23 | Electronic controller | 1 | 48 | self-adhesive sealing tape (B/H=50/3mm) | 5 |
| 24 | PCB spacer | 4 | 49 | Housing SBG-01953-01 | 1 |
| 25 | Humidistat venting hose | 1 | | | |

Disposal

Always dispose of packing materials in an environmentally friendly manner and in accordance with the applicable local disposal regulations.



The icon with the crossed-out waste bin on waste electrical or electronic equipment stipulates that this equipment must not be disposed of with the household waste at the end of its life. You will find collection points for free return of waste electrical and electronic equipment in your vicinity. The addresses can be obtained from your municipality or local administration. You can also find out about other return options that apply for many EU countries on the website <https://hub.trotec.com/?id=45090>. Otherwise, please contact an official recycling centre for electronic and electrical equipment authorised for your country.

The separate collection of waste electrical and electronic equipment aims to enable the re-use, recycling and other forms of recovery of waste equipment as well as to prevent negative effects for the environment and human health caused by the disposal of hazardous substances potentially contained in the equipment.

The device is operated with fluorinated greenhouse gas, which can be dangerous for the environment and contribute to global warming when emitted to the atmosphere.

Further information is provided on the nameplate.

Dispose of the refrigerant appropriately and according to the national regulations.

Only for United Kingdom

According to Waste Electrical and Electronic Equipment Regulations 2013 (SI 2013/3113) devices that are no longer usable must be collected separately and disposed of in an environmentally friendly manner.

Declaration of conformity

Declaration of conformity in accordance with the EC Machinery Directive 2006/42/EC, Annex II, Part 1, Section A

We – Trotec GmbH – declare in sole responsibility that the product designated below was developed, constructed and produced in compliance with the requirements of the EC Machinery Directive in the version 2006/42/EC.

Product model / product: DH 15
DH 30
DH 60

Product type: dehumidifier

Year of manufacture as of: 2022

Relevant EU directives:

- 2011/65/EU: 01/07/2011
- 2012/19/EU: 24/07/2012
- 2014/30/EU: 29/03/2014
- 2015/863/EU: 31/03/2015

Applied harmonised standards:

- EN 60335-1:2012/A1:2019
- EN 60335-1:2012/A2:2019
- EN 60335-1:2012/A14:2019
- EN 60335-2-40:2003
- EN 60335-2-40:2003/A1:2006
- EN 60335-2-40:2003/A2:2009
- EN 60335-2-40:2003/A11:2004
- EN 60335-2-40:2003/A12:2005
- EN 60335-2-40:2003/A13:2012
- EN 60335-2-40:2003/AC:2006
- EN 60335-2-40:2003/AC:2010
- EN 60335-2-40:2003/AC:2013

Applied national standards and technical specifications:

- EN IEC 61000-3-2:2019
- EN 61000-3-3:2013+A1:2019
- EN IEC 55014-1:2021
- EN IEC 55014-2:2021
- EN IEC 61000-3-2:2019+A1:2021

Manufacturer and name of the authorised representative of the technical documentation:

Trotec GmbH
Grebbeener Straße 7, D-52525 Heinsberg
Phone: +49 2452 962-400
E-mail: info@trotec.de

Place and date of issue:

Heinsberg, 15.02.2022

Detlef von der Lieck, Managing Director

Trotec GmbH

Grebbener Str. 7
D-52525 Heinsberg

☎ +49 2452 962-400

☎ +49 2452 962-200

✉ info@trotec.com

www.trotec.com