

TTK 53 E / TTK 72 E

EN

INSTRUCTIONS
DEHUMIDIFIER



 **TROTTEC**

Table of contents

Notes regarding the instructions 2

Safety 2

Information about the device..... 5

Transport and storage..... 6

Assembly and start-up 7

Operation 8

Errors and faults..... 11

Maintenance 13

Technical annex..... 17

Disposal 20

You can download the current version of the instructions and the EU declaration of conformity via the following link:



TTK 53 E

<https://hub.trotec.com/?id=42189>



TTK 72 E

<https://hub.trotec.com/?id=41804>

Notes regarding the instructions

Symbols



Danger

This symbol indicates dangers to the life and health of persons due to extremely flammable gas.



Warning of electrical voltage

This symbol indicates dangers to the life and health of persons due to electrical voltage.



Warning

This signal word indicates a hazard with an average risk level which, if not avoided, can result in serious injury or death.



Caution

This signal word indicates a hazard with a low risk level which, if not avoided, can result in minor or moderate injury.

Note

This signal word indicates important information (e.g. material damage), but does not indicate hazards.



Info

Information marked with this symbol helps you to carry out your tasks quickly and safely.



Follow the manual

Information marked with this symbol indicates that the instructions must be observed.

Safety

Read this manual carefully before starting or using the device. Always store the manual in the immediate vicinity of the device or its site of use.



Warning

Read all safety warnings and all instructions.

Failure to follow the warnings and instructions may result in electric shock, fire and/or serious injury.

Save all warnings and instructions for future reference.

This appliance can be used by children aged from 8 years and above and persons with reduced physical, sensory or mental capabilities or lack of experience and knowledge if they have been given supervision or instruction concerning use of the appliance in a safe way and understand the hazards involved.

Children shall not play with the appliance. Cleaning and user maintenance shall not be made by children without supervision.

- Do not use the device in potentially explosive rooms or areas and do not install it there.
- Do not use the device in aggressive atmosphere.
- Only put up the device in an upright, stable position on firm ground.
- Let the device dry out after a wet clean. Do not operate it when wet.
- Do not use the device with wet or damp hands.
- Do not expose the device to directly squirting water.
- Do not cover the device during operation.
- Do not sit on the device.

- This appliance is not a toy. Keep away from children and animals.
- Occasionally observe the device during operation.
- Check accessories and connection parts for possible damage prior to every use of the device. Do not use any defective devices or device parts.
- Ensure that all electric cables outside of the device are protected from damage (e.g. caused by animals). Never use the device if electric cables or the power connection are damaged!
- The mains connection must correspond to the specifications in the Technical annex.
- Insert the mains plug into a properly fused mains socket.
- Observe the device's power input, cable length and intended use when selecting extensions to the power cable. Completely unroll extension cables. Avoid electrical overload.
- Do not under any circumstances use the device if you detect damages on the mains plug or power cable. If the power cable is damaged, it must be replaced by the manufacturer, its service agent or similarly qualified persons in order to avoid a hazard.
Defective power cables pose a serious health risk!
- Before carrying out maintenance, care or repair work on the device, remove the mains plug from the mains socket. Hold onto the mains plug while doing so.
- Switch the device off and disconnect the power cable from the mains socket when the device is not in use.
- When positioning the device, observe the minimum distances from walls and other objects as well as the storage and operating conditions specified in the Technical annex.
- Make sure that the air inlet and outlet are not obstructed.
- Make sure that the suction side is kept free of dirt and loose objects.
- Never insert any objects or limbs into the device.
- Do not remove any safety signs, stickers or labels from the device. Keep all safety signs, stickers and labels in legible condition.
- Only transport the device in an upright position with an emptied condensation tank or drain hose.
- Discharge the collected condensate before transport and storage. Do not drink it. Health hazard!
- Only use original spare parts, for otherwise safe and functional operation cannot be ensured.



Safety warnings for devices containing flammable refrigerants

- Only position the device in rooms where potentially leaking refrigerant cannot accumulate. Unventilated rooms, in which the device is installed, operated or stored, must be built in a way to ensure that potentially leaking refrigerant cannot accumulate. This serves to avoid fire or explosion hazards resulting from an ignition of the refrigerant by an electric furnace, cooking stove or another ignition source.
- Only position the device in rooms where there is no source of ignition (e.g. open flames, an active gas appliance or an electric heater).
- Please note that the refrigerant is odourless.
- Only install the device in compliance with the national installation regulations.
- Please observe the local regulations.
- Observe the national gas regulations.
- Only install, operate and store the device in a room measuring more than 4 m².
- Store the device in a way that no mechanical damage can occur.
- Please note that the connected pipelines must not contain any sources of ignition.
- R290 is a refrigerant that complies with European environmental regulations. No part of the cooling circuit may be perforated.
- Observe the maximum refrigerant capacity in the technical data.
- Do not drill through or burn.
- Do not use any means other than those recommended by the manufacturer for accelerating the defrosting process.
- Every person working with or at the refrigerant circuit must be able to provide a certificate of qualification issued by a body accredited by the industry, demonstrating their competence in the safe use of refrigerants based on a procedure well-known in the industry.
- Service work may only be carried out in accordance with the manufacturer's specifications. If maintenance and repair work require the support of additional persons, the person trained in handling flammable refrigerants shall continuously supervise the work carried out.
- The entire refrigerant circuit is a maintenance-free, hermetically sealed system and may only be maintained or repaired by specialist companies for cooling and air-conditioning or by Trotec.
- Allow the device to cool down before transport and/or maintenance work.

Intended use

Only use the device for drying and dehumidifying room air, while adhering to and following the technical data.

In addition, the device may also be used as a kind of clothes dryer to dry wet laundry.

Intended use comprises:

- dehumidifying and drying:
 - living rooms, bedrooms, bathrooms and basements
 - laundries, holiday homes, camper vans, boats
- maintaining the dryness of:
 - storage spaces, archives, laboratories, garages
 - bathrooms, wash rooms, changing rooms etc.

Any use other than the intended use is regarded as misuse.

Reasonably foreseeable misuse

- The device is not intended for industrial use.
- Do not place the device on wet or flooded ground.
- Do not place any objects, e.g. clothing, on the device.
- Do not use the device out of doors.
- Do not use this device in immediate vicinity of swimming pools and showers.
- Never immerse the device in water.
- Do not make any unauthorised modifications, alterations or structural changes to the device.

Personnel qualifications

People who use this device must:

- be aware of the dangers that occur when working with electric devices in damp areas.
- have read and understood the instructions, especially the Safety chapter.

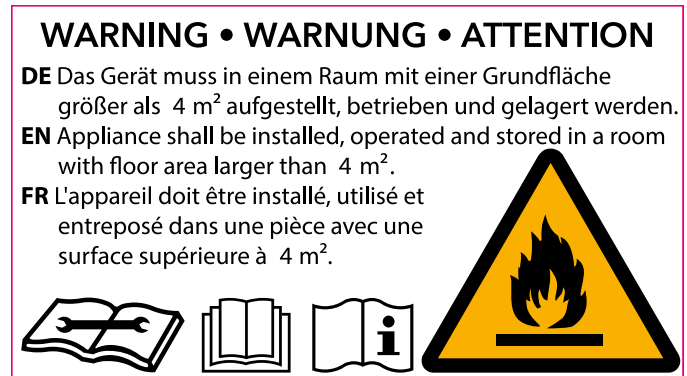
Maintenance tasks which require the housing to be opened must only be carried out by specialist companies for cooling and air-conditioning or by Trotec.

Safety signs and labels on the device

Note

Do not remove any safety signs, stickers or labels from the device. Keep all safety signs, stickers and labels in legible condition.

The following safety signs and labels are attached to the device:



Follow the manual

This symbol indicates that the instructions must be observed.



Follow the repair manual

Disposal, maintenance and repair work of the refrigerant circuit may only be carried out in accordance with the manufacturer's specifications and by persons having a certificate of qualification. A corresponding repair manual is available from the manufacturer upon request.

Residual risks



Danger

Natural refrigerant propane (R290)!

H220 – Extremely flammable gas.

H280 – Contains gas under pressure; may explode if heated.

P210 – Keep away from heat, sparks, open flames and other ignition sources. No smoking.

P377 – Leaking gas fire: Do not extinguish, unless leak can be stopped safely.

P410+P403 – Protect from sunlight. Store in a well-ventilated place.



Warning of electrical voltage

Work on the electrical components must only be carried out by an authorised specialist company!



Warning of electrical voltage

Risk of electric shock!

Risk of an electric shock if the device comes into contact with water in showers or swimming pools!

Do not use this device in immediate vicinity to showers or swimming pools!

Never immerse the device in water!



Warning of electrical voltage

Before any work on the device, remove the mains plug from the mains socket!

Do not touch the mains plug with wet or damp hands.

Hold onto the mains plug while pulling the power cable out of the mains socket.



Warning

Dangers can occur at the device when it is used by untrained people in an unprofessional or improper way! Observe the personnel qualifications!



Warning

The device is not a toy and does not belong in the hands of children.



Warning

Risk of suffocation!

Do not leave the packaging lying around. Children may use it as a dangerous toy.

Note

Do not operate the device without an air filter inserted into the air inlet!

Without the air filter, the inside of the device will be heavily contaminated. This could reduce the performance and result in damage to the device.

Behaviour in the event of an emergency

1. Switch the device off.
2. Disconnect the device from the mains feed-in: Hold onto the mains plug while pulling the power cable out of the mains socket.
3. Do not reconnect a defective device to the mains.

Information about the device

Device description

The device uses the principle of condensation to automatically dehumidify rooms.

The fan sucks damp room air through the air inlet, the air filter, the evaporator and to the condenser located behind it. The air is cooled at the cold evaporator until it is below the dew point. Water vapour contained in the room air precipitates on the evaporator fins as condensation or rime. The dehumidified, cooled air is slightly warmed at the condenser and blown out again. The drier air thus conditioned mixes with the air in the room. The humidity in the room where the device is positioned is reduced as air constantly circulates through the device.

Depending on the air temperature and the relative humidity, the condensed water either drops continuously or only during the defrost phase through the integrated drain nozzle into the condensation tank below. It is fitted with a float to measure the filling level.

The device has a control panel for operating and controlling the functions.

Once the maximum filling level of the condensation tank is reached or in case the condensation tank is not installed correctly, the condensation tank indicator light (see chapter Operation) on the control panel is illuminated. The device switches off. The condensation tank indicator light only goes out again once the emptied condensation tank is reinserted.

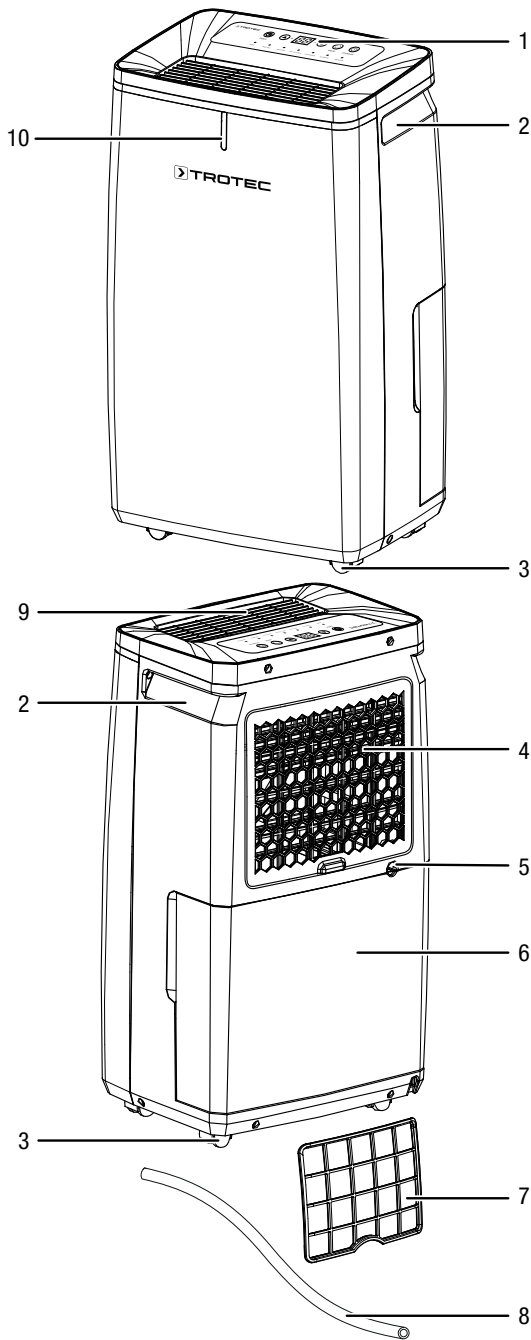
Optionally, the condensed water can be drained by attaching a hose at the condensation connection.

The device can reduce the relative humidity of a room to approx. 30 %.

In addition, the device may also be used as a kind of clothes dryer to dry wet laundry in living or working spaces.

Because of the heat radiation generated during operation, the room temperature may rise slightly.

Device depiction



No.	Designation
1	Control panel
2	Transport handle
3	Wheels
4	Air inlet with air filter
5	Condensation drain hose connection
6	Condensation tank
7	Air filter
8	Condensation drain hose
9	Air outlet
10	Colour LED for current room humidity

Transport and storage

Note

If you store or transport the device improperly, the device may be damaged.
 Note the information regarding transport and storage of the device.

Transport

Please note that additional transport regulations might apply to devices containing flammable refrigerants. The equipment's arrangement and the maximum number of components to be transported together can be gathered from the applicable transport regulations.

To make the device easier to transport, it is fitted with wheels.

Before transporting the device, observe the following:

- Switch the device off.
- Hold onto the mains plug while pulling the power cable out of the mains socket.
- Drain the remaining condensate from the device and the condensation drain hose (see chapter Maintenance).
- Do not use the power cable to drag the device.
- Only wheel the device on firm and level surfaces.

After transporting the device, proceed as follows:

- Set up the device in an upright position after transport.

Storage

Before storing the device, proceed as follows:

- Drain the remaining condensate from the device and the condensation drain hose (see chapter Maintenance).
- Hold onto the mains plug while pulling the power cable out of the mains socket.

When the device is not being used, observe the following storage conditions:

- Only store the device in a room measuring more than 4 m².
- Only position the device in rooms where there is no source of ignition (e.g. open flames, an active gas appliance or an electric heater).
- Store the device in a dry location and protected from frost and heat.
- Store the appliance in an upright position where it is protected from dust and direct sunlight.
- If required, use a cover to protect the device from invasive dust.
- Place no further devices or objects on top of the device to prevent it from being damaged.

Assembly and start-up

Scope of delivery

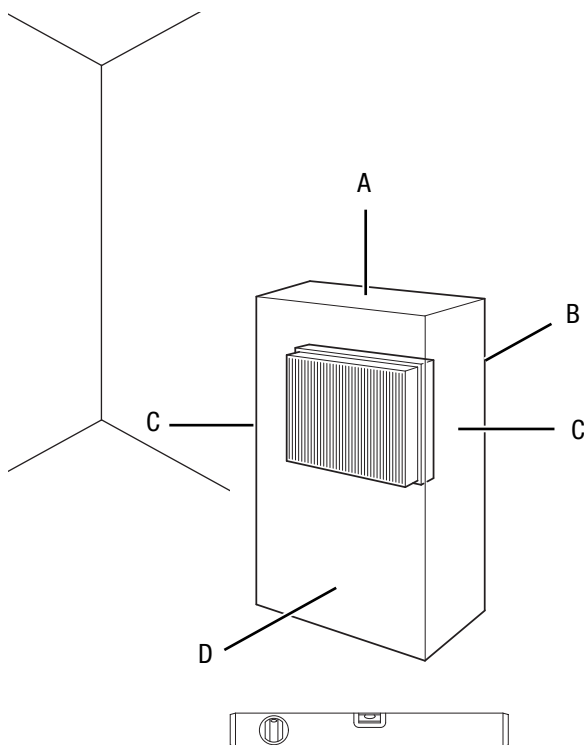
- 1 x Device
- 1 x Condensation drain hose, length: 0.3 m, diameter: 10 mm
- 1 x Air filter
- 1 x Manual

Unpacking the device

1. Open the cardboard box and take the device out.
2. Completely remove the packaging.
3. Fully unwind the power cable. Make sure that the power cable is not damaged and that you do not damage it during unwinding.

Start-up

When positioning the device, observe the minimum distance from walls or other objects as described in the chapter Technical annex.



- Do not create tripping hazards when laying the power cable or other electric cables, especially when positioning the device in the middle of the room. Use cable bridges.
- Make sure that extension cables are completely unrolled.
- When positioning the device, keep a sufficient distance to heat sources.
- Make sure that no curtains or other objects interfere with the air flow.

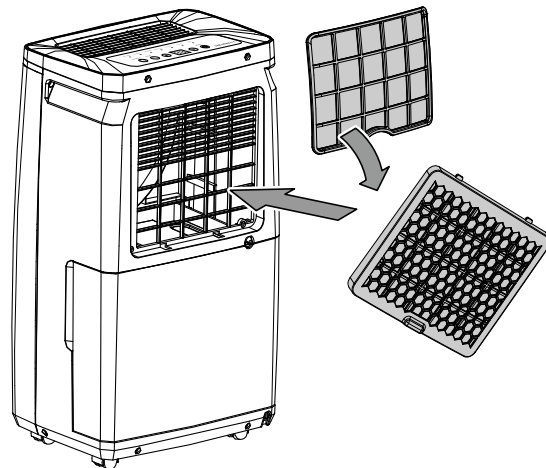
Inserting the air filter

Note

Do not operate the device without an air filter inserted into the air inlet!

Without the air filter, the inside of the device will be heavily contaminated. This could reduce the performance and result in damage to the device.

- Make sure that the air filter is installed before switching the device on.



Inserting the condensation tank

- Ensure that the float inside the condensation tank is inserted correctly.
- Ensure that the condensation tank is empty and inserted correctly.

Connecting the power cable

- Insert the mains plug into a properly secured mains socket.

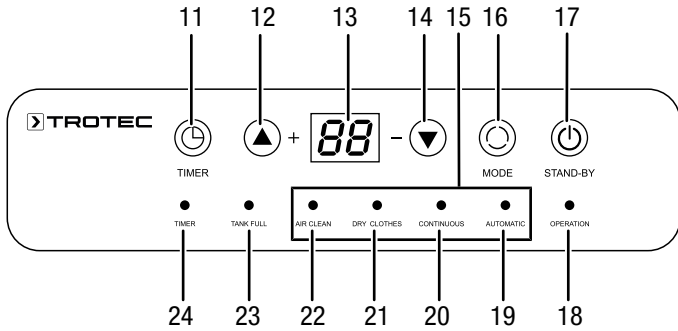
- Before restarting the device, check the condition of the power cable. If there are doubts as to the sound condition, contact the customer service.
- Only position the device in rooms where potentially leaking refrigerant cannot accumulate.
- Only position the device in rooms where there is no source of ignition (e.g. open flames, an active gas appliance or an electric heater).
- Only put up the device in an upright, stable position on firm ground.

Operation

Notes:

- Avoid open doors and windows.
- After being switched on, the device operates fully automatically.
- The fan continues to run in dehumidification mode for 3 minutes after the selected setpoint has been reached.

Operating elements



No.	Designation	Meaning
11	TIMER button	Starts programming for the timer function.
12	Plus arrow button	Setting the relative room humidity Setting the number of hours for the timer function
13	Segment display	Indicates the relative room humidity level. Indicates the desired relative room humidity during setting. Indicates continuous operation <i>CO</i> in <i>dehumidification</i> mode. Indicates the number of hours during timer programming.
14	Minus arrow button	Setting the relative room humidity Setting the number of hours for the timer function
15	Operating modes indication	Indication of active operating mode: <i>Automatic</i> = <i>Automatic mode</i> <i>Continuous</i> = <i>Dehumidification</i> (additionally continuous operation) <i>Dry Clothes</i> = <i>Laundry drying function</i> <i>Air Clean</i> = <i>Ventilation</i>

No.	Designation	Meaning
16	MODE button	Selection button for operating modes: <i>Automatic operation</i> <i>Dehumidification</i> (additionally continuous operation) <i>Laundry drying function</i> <i>Ventilation</i>
17	STAND-BY button	Power button: Switches the device on or off.
18	OPERATION indication	Illuminated when the device is switched on
19	AUTOMATIC indication	<i>Automatic</i> mode is active
20	CONTINUOUS indication	<i>Dehumidification</i> mode is active <i>Continuous operation</i> is active
21	DRY CLOTHES indication	<i>Laundry drying</i> mode is active
22	AIR CLEAN indication	<i>Ventilation</i> mode is active
23	TANK FULL indication	Illuminated when the condensation tank is full.
24	TIMER indication	Illuminated when the timer is programmed.

Switching the device on

Once you have completely installed the device as described in the chapter Assembly and start-up, you can switch it on.

1. Press the *STAND-BY* button (17).
⇒ The device starts in *automatic* mode.

Setting the operating mode

- Dehumidification
- Continuous operation
- Automatic operation
- Ventilation
- Laundry drying mode

Dehumidification

The device keeps running until reaching the preselected relative room humidity. Then the compressor switches off. The fan keeps running for 3 minutes. Once the preselected relative room humidity is exceeded, the compressor switches back on.

The relative room humidity can be preselected in this operating mode. Setting is possible in the range between 30 % and 80 % in increments of 5 %.

The fan runs at low speed and the fan speed cannot be changed.

1. Press the *MODE* button (16).
 - ⇒ The indication of the currently selected operating mode flashes.
2. Press the *MODE* button (16) until the *CONTINUOUS* indication (20) flashes.
3. Wait for approx. 5 seconds in order to save the setting.
 - ⇒ *Dehumidification* mode is selected.
 - ⇒ The *CONTINUOUS* indication (20) is illuminated.
4. Press the arrow buttons (12, 14) to adjust the relative room humidity.
5. Wait for approx. 5 seconds in order to save the setting.

For setting the relative room humidity

You can only change the relative room humidity in *dehumidification* mode.

1. Press the arrow buttons (12, 14) to adjust the relative room humidity. Setting is possible in the range between 30 % and 80 % in increments of 5 %.
 - ⇒ The desired relative room humidity is indicated in the segment display (13) for approx. 5 seconds. Then the current relative room humidity is displayed again.

Colour LED for current room humidity

Regardless of the operating mode, the colour LED indicates the current relative room humidity by means of 3 different colours.

LED colour	Meaning
Blue	Relative room humidity below 55 %
Green	Optimal relative room humidity between 55 % and 70 %
Red	Illuminated: relative room humidity above 70 % Flashes: water tank full or not inserted correctly (accompanied by an acoustic signal)

Continuous operation mode

The device dehumidifies the air constantly and regardless of the relative room humidity.

The fan runs at low speed and the fan speed cannot be changed.

1. Press the *MODE* button (16).
 - ⇒ The indication of the currently selected operating mode flashes.
2. Press the *MODE* button (16) until the *CONTINUOUS* indication (20) flashes.
3. Wait for approx. 5 seconds in order to save the setting.
 - ⇒ The *CONTINUOUS* indication (20) is illuminated.
4. Press the arrow buttons (12, 14) until *CO* is indicated in the segment display (13).
5. Wait for approx. 5 seconds in order to save the setting.
 - ⇒ *Continuous operation* (20) is selected.

Automatic operation

The relative room humidity is preset to 55 % and cannot be changed.

If the relative room humidity lies between 55 % and 70 %, the fan automatically switches over to low speed.

Below a relative room humidity of 55 %, the compressor switches off.

Above a relative room humidity of 70 %, the fan runs at the highest level.

1. Press the *MODE* button (16).
 - ⇒ The indication of the currently selected operating mode flashes.
2. Press the *MODE* button (16) until the *AUTOMATIC* indication (19) flashes.
3. Wait for approx. 5 seconds in order to save the setting.
 - ⇒ *Automatic* mode is selected.
 - ⇒ The *AUTOMATIC* indication (19) is illuminated.

Ventilation

The fan runs at low speed. The compressor does not run.

1. Press the *MODE* button (16).
 - ⇒ The indication of the currently selected operating mode flashes.
2. Press the *MODE* button (16) until the *AIR CLEAN* indication (22) flashes.
3. Wait for approx. 5 seconds in order to save the setting.
 - ⇒ *Ventilation* mode is selected.
 - ⇒ The *AIR CLEAN* indication (22) is illuminated.

Setting the timer

Using the timer function, the device can be switched off automatically after a preset number of hours.

The number of hours can range from 1 to 24 and can be adjusted in increments of 1 h.

Note

Do not leave the operating device unattended in a freely accessible room with an activated timer.

Automatic switch-off

- ✓ The device is switched on.
1. Press the *TIMER* button (11).
 - ⇒ The segment display (13) flashes.
 2. Press the arrow buttons (12, 14) to set the desired number of hours.
 3. Wait for approx. 5 seconds in order to save the setting.
 - ⇒ The *TIMER* indication (24) is illuminated.
 - ⇒ The relative room humidity is indicated in the segment display (13) again.
 - ⇒ The device switches off after the set period of time.

Memory function

The device memorizes the last selected operating mode, and in *dehumidification* mode (20) also the set room humidity during short power failures. If the timer was programmed, this setting will not be saved.

If the device was disconnected from the mains for a longer time, the device starts in *automatic* mode when it is switched back on.

Auto stop function

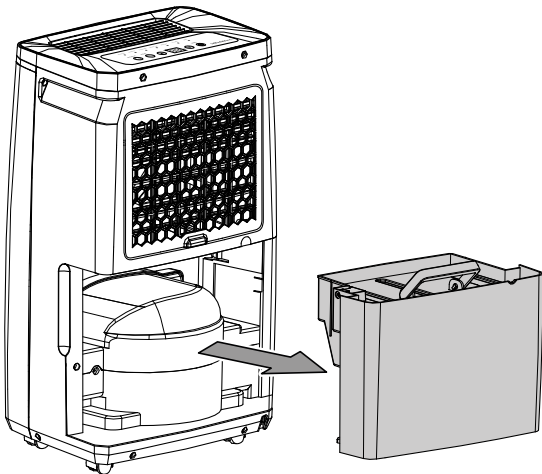
If the water tank is full, not inserted correctly or the relative room humidity has been reached, the compressor will stop automatically. The fan keeps running.

Operation with hose attached to the condensation connection

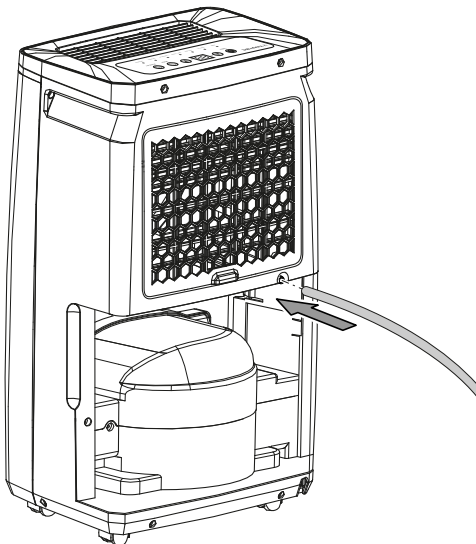
For continuous operation or unattended dehumidification, please connect the supplied condensation drain hose to the device.

- ✓ A suitable hose (diameter: 10 mm) is ready for use.
- ✓ The device is switched off.

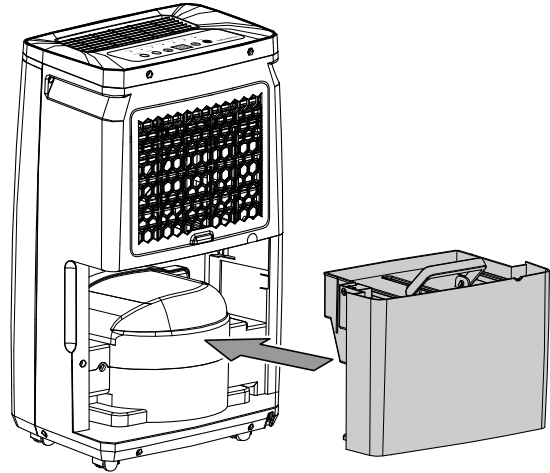
1. Take the condensation tank out of the device.



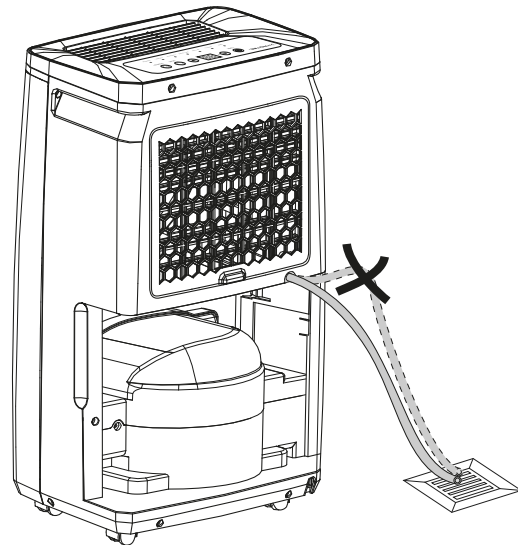
2. Push one end of the hose onto the hose connection.



3. Refit the condensation tank into the device. In doing so, make sure that the condensation tank is inserted correctly, for otherwise the device cannot be switched back on.



4. Guide the other hose end to a suitable drain or sufficiently dimensioned collection container. Please note that the hose must not be kinked.



Remove the hose if you want to collect the condensate in the condensation tank again. Allow the hose to dry prior to storage. The hose can be connected in any operating mode for continuous operation.

Automatic defrost

At low ambient temperatures, ice may form at the evaporator during dehumidification. The device will then carry out an automatic defrost. Dehumidification is briefly interrupted during defrosting.

The duration of the defrost process can vary. Do **not** switch off the device during automatic defrost. Do **not** remove the mains plug from the mains socket.

Laundry drying mode

The device may be used to dry clothes in a more timely manner. When positioning the device or a clothes horse, please observe the minimum distances specified in the technical data.

The device dehumidifies the air constantly and regardless of the relative room humidity. The fan runs at the highest speed.

The relative room humidity and the fan speed cannot be set in this operating mode.

1. Press the *MODE* button (16).
 - ⇒ The indication of the currently selected operating mode flashes.
2. Press the *MODE* button (16) until the *DRY CLOTHES* indication (21) flashes.
3. Wait for approx. 5 seconds in order to save the setting.
 - ⇒ The *laundry drying function* is selected.
 - ⇒ The *DRY CLOTHES* indication (21) is illuminated.

For drying laundry the following values should be selected:

- cupboard dry = 46 % relative humidity
- iron dry = 58 % relative humidity
- slightly dried = 65 % relative humidity

If necessary, use a measuring device to determine the humidity level.

Shutdown



Warning of electrical voltage

Do not touch the mains plug with wet or damp hands.

- Switch off the device.
- Hold onto the mains plug while pulling the power cable out of the mains socket.
- If necessary, remove the condensation drain hose and any residual fluid from it.
- Empty the condensation tank, if need be.
- Clean the device according to the Maintenance chapter.
- Store the device according to the Transport and storage chapter.

Errors and faults

The device has been checked for proper functioning several times during production. If malfunctions occur nonetheless, check the device according to the following list.

Note

Wait for at least 3 minutes after maintenance and repair work. Only then switch the device back on.

The device does not start:

- Check the power connection.
- Check the power cable and mains plug for damage.
- Check the on-site fusing.
- Check the filling level of the condensation tank and empty it if necessary. The *Tank Full* indication (23) must not light up.
- Check the condensation tank for correct seating.
- Check the room temperature. Observe the device's permissible operating range according to the technical data. Possibly, the device does not start because the ambient temperature is too low (< 5 °C).

The device is running, but there is no formation of condensate:

- Check the float in the condensation tank for dirt. If necessary, clean the condensation tank. The float must be able to move freely.
- Check the room temperature. Observe the device's permissible operating range according to the technical data. Possibly, the device does not start because the ambient temperature is too low (< 5 °C).
- Ensure that the relative room humidity complies with the technical data.
- Check the preselected relative room humidity. The humidity in the room must be above the selected range.
- Check the air filter for dirt. If necessary, clean or replace the air filter.
- From the outside, check the condenser for dirt (see chapter Maintenance). If the condenser is dirty, have it cleaned by a specialist company or by Trotec.
- The device might carry out an automatic defrost. During automatic defrost, the device does not dehumidify.

The device is loud or vibrates:

- Check whether the device is set up in a stable and upright position.

Condensate is leaking:

- Check the device for leaks.

The compressor does not start:

- Check the room temperature. Observe the device's permissible operating range according to the technical data. Possibly, the device does not start because the ambient temperature is too low ($< 5\text{ °C}$).
- Ensure that the relative room humidity complies with the technical data.
- Check the preselected relative room humidity. The humidity in the room must be above the selected range.
- Check whether the overheating protection of the compressor has tripped. Disconnect the device from the mains and let it cool down for approx. 10 minutes before reconnecting it.
- The device might carry out an automatic defrost. During automatic defrost, the device does not dehumidify.

The device gets very warm, is loud or is losing performance:

- Check the air inlets and air filters for dirt. Remove external dirt.
- From the outside, check the device for dirt (see chapter Maintenance). If the inside of the device is dirty, have it cleaned by a specialist company for cooling and air-conditioning or by Trotec.

The device still does not operate correctly after these checks:

Please contact the customer service. If necessary, bring the device to a specialist company for cooling and air-conditioning or to Trotec for repair.

Maintenance

Maintenance intervals

Maintenance and care interval	before every start-up	as needed	at least every 2 weeks	at least every 4 weeks	at least every 6 months	at least annually
Check air inlet and outlet for dirt and foreign objects and clean if necessary	X			X		
Clean the exterior		X				X
Visually check the inside of the device for dirt		X				X
Check the air filter for dirt and foreign objects and clean or replace if necessary	X		X			
Replace the air filter					X	
Check for damage	X					
Check the attachment screws		X				X
Test run						X
Empty and clean the condensation tank and/or drain hose		X				

Maintenance and care log

Device type:

Device number:

Maintenance and care interval	1	2	3	4	5	6	7	8	9	10	11	12	13	14	15	16
Check air inlets and outlets for dirt and foreign objects and clean if necessary																
Check the air filter for dirt and foreign objects and clean or replace if necessary																
Clean the exterior																
Visually check the inside of the device for dirt																
Replace the air filter																
Check the attachment screws																
Test run																
Empty and clean the condensation tank and/or drain hose																
Comments																

1. Date: Signature:	2. Date: Signature:	3. Date: Signature:	4. Date: Signature:
5. Date: Signature:	6. Date: Signature:	7. Date: Signature:	8. Date: Signature:
9. Date: Signature:	10. Date: Signature:	11. Date: Signature:	12. Date: Signature:
13. Date: Signature:	14. Date: Signature:	15. Date: Signature:	16. Date: Signature:

Activities required before starting maintenance



Warning of electrical voltage

Do not touch the mains plug with wet or damp hands.

- Switch the device off.
- Hold onto the mains plug while pulling the power cable out of the mains socket.



Warning of electrical voltage

Tasks which require the device to be opened must only be carried out by authorised specialist companies or by Trotec.

Refrigerant circuit



Danger

Natural refrigerant propane (R290)!

H220 – Extremely flammable gas.

H280 – Contains gas under pressure; may explode if heated.

P210 – Keep away from heat, sparks, open flames and other ignition sources. No smoking.

P377 – Leaking gas fire: Do not extinguish, unless leak can be stopped safely.

P410+P403 – Protect from sunlight. Store in a well-ventilated place.

- The entire refrigerant circuit is a maintenance-free, hermetically sealed system and may only be maintained or repaired by specialist companies for cooling and air-conditioning or by Trotec.

Safety signs and labels on the device

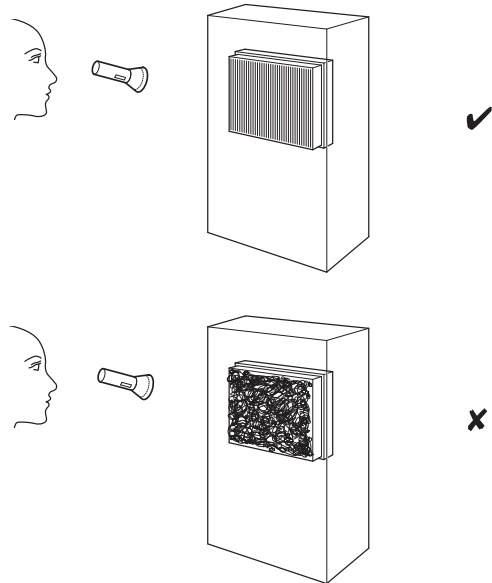
Check the safety signs and labels attached to the device at regular intervals. Replace illegible safety signs!

Cleaning the housing

Clean the housing with a soft, damp and lint-free cloth. Make sure that no moisture enters the housing. Protect electrical components from moisture. Do not use any aggressive cleaning agents such as cleaning sprays, solvents, alcohol-based or abrasive cleaners to dampen the cloth.

Visual inspection of the inside of the device for dirt

1. Remove the air filter.
2. Use a torch to illuminate the openings of the device.
3. Check the inside of the device for dirt.
4. If you see a thick layer of dust, have the inside of the device cleaned by a specialist company for cooling and air-conditioning or by Trotec.
5. Put the air filter back in.



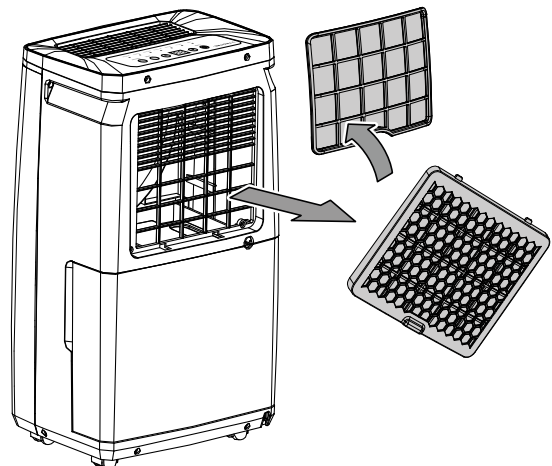
Cleaning the air filter

Note

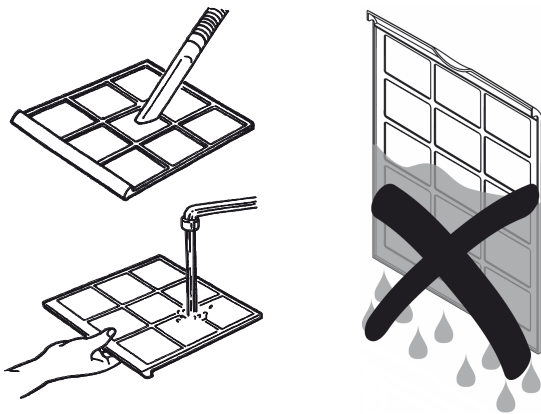
Ensure that the air filter is not worn or damaged. The corners and edges of the air filter must not be deformed or rounded. Before reinserting the air filter, make sure that it is undamaged and dry!

The air filter has to be cleaned as soon as it is dirty. This is brought to light e.g. by a reduced capacity (see chapter Errors and faults).

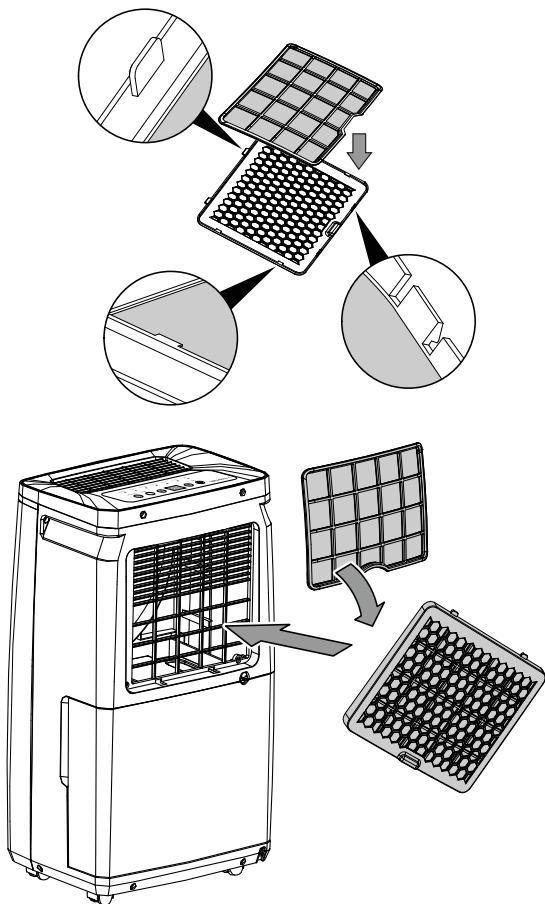
1. Remove the air filter from the device.



- Clean the filter using a slightly damp, soft, lint-free cloth. If the filter is heavily contaminated, clean it with warm water mixed with a neutral cleaning agent.



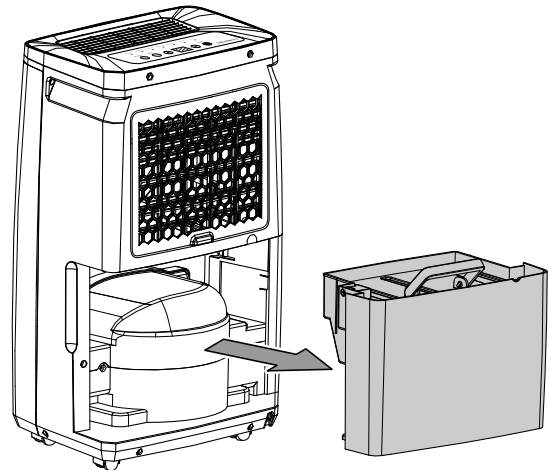
- Allow the filter to dry completely. Do not insert a wet filter into the device!
- Reinsert the air filter into the device.



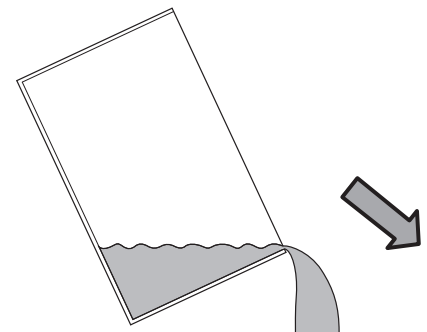
Emptying the condensation tank

If the condensation tank is full or not inserted correctly, an acoustic signal will be emitted. Furthermore, the colour LED for the current room humidity (10) flashes red and the *TANK FULL* indication (23) is illuminated. The compressor and fan will switch off.

- Take the condensation tank out of the device.

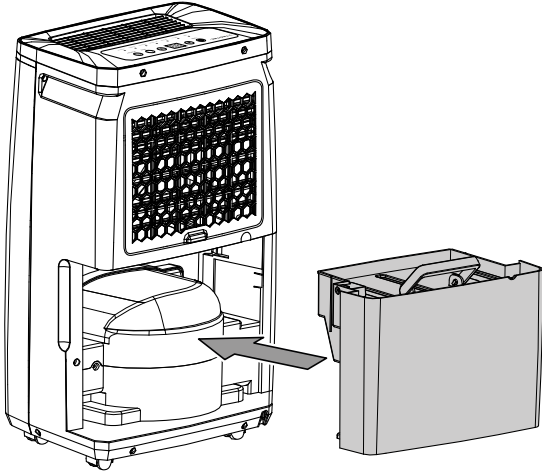


- Empty the condensation tank over a drain or sink.



- Rinse the tank with clear water. Clean the tank regularly using a mild cleaning agent (no detergent!).

4. Refit the condensation tank into the device.
Make sure not to damage the float when inserting or removing the condensation tank.
In doing so, make sure that the float is positioned correctly.
In doing so, make sure that the condensation tank is inserted correctly, for otherwise the device cannot be switched back on.



Activities required after maintenance

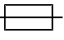
If you want to continue using the device:

- Reconnect the device to the mains.

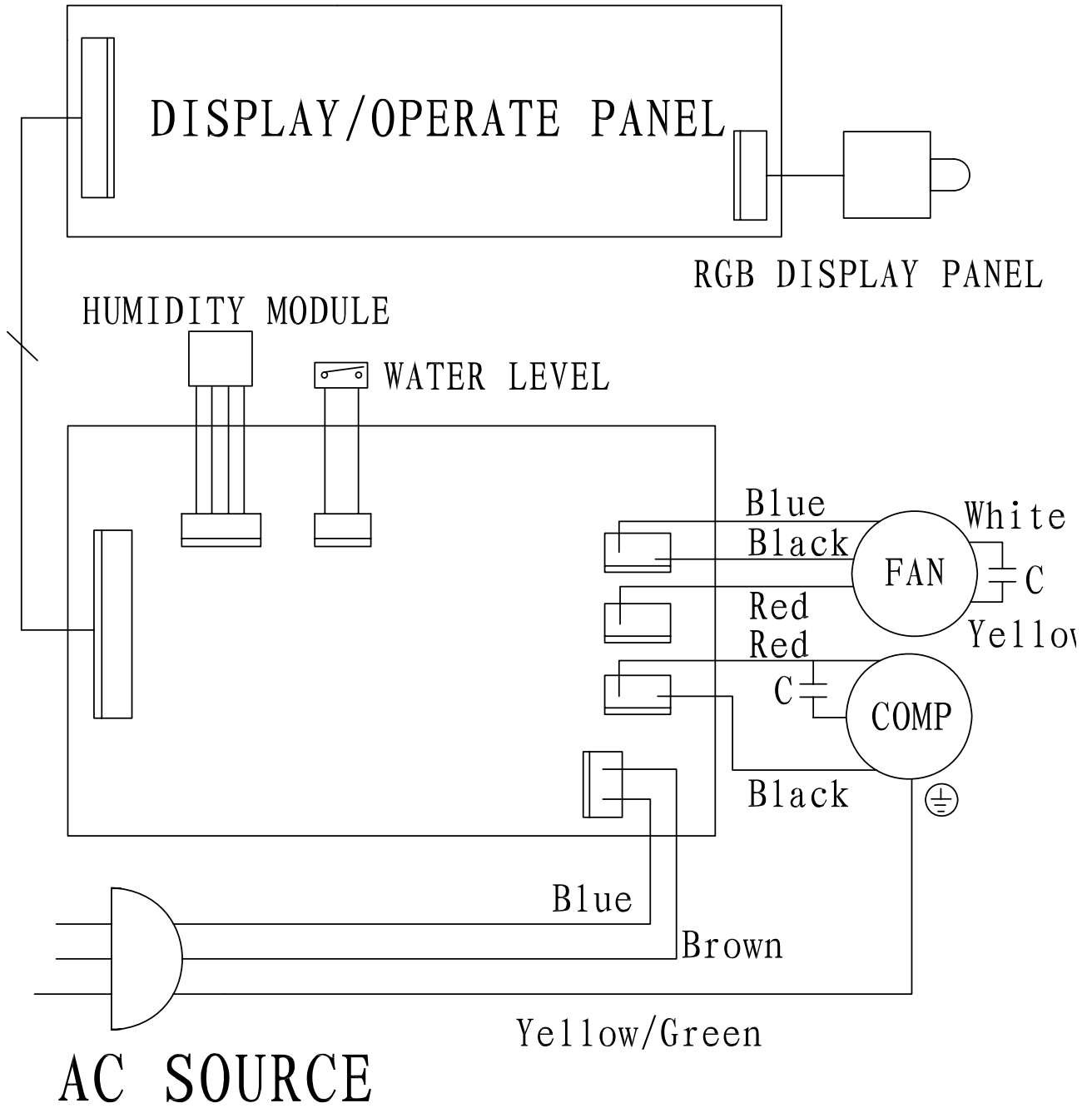
If you do not intend to use the device for a considerable time:

- Store the device according to the Transport and storage chapter.

Technical annex
Technical data

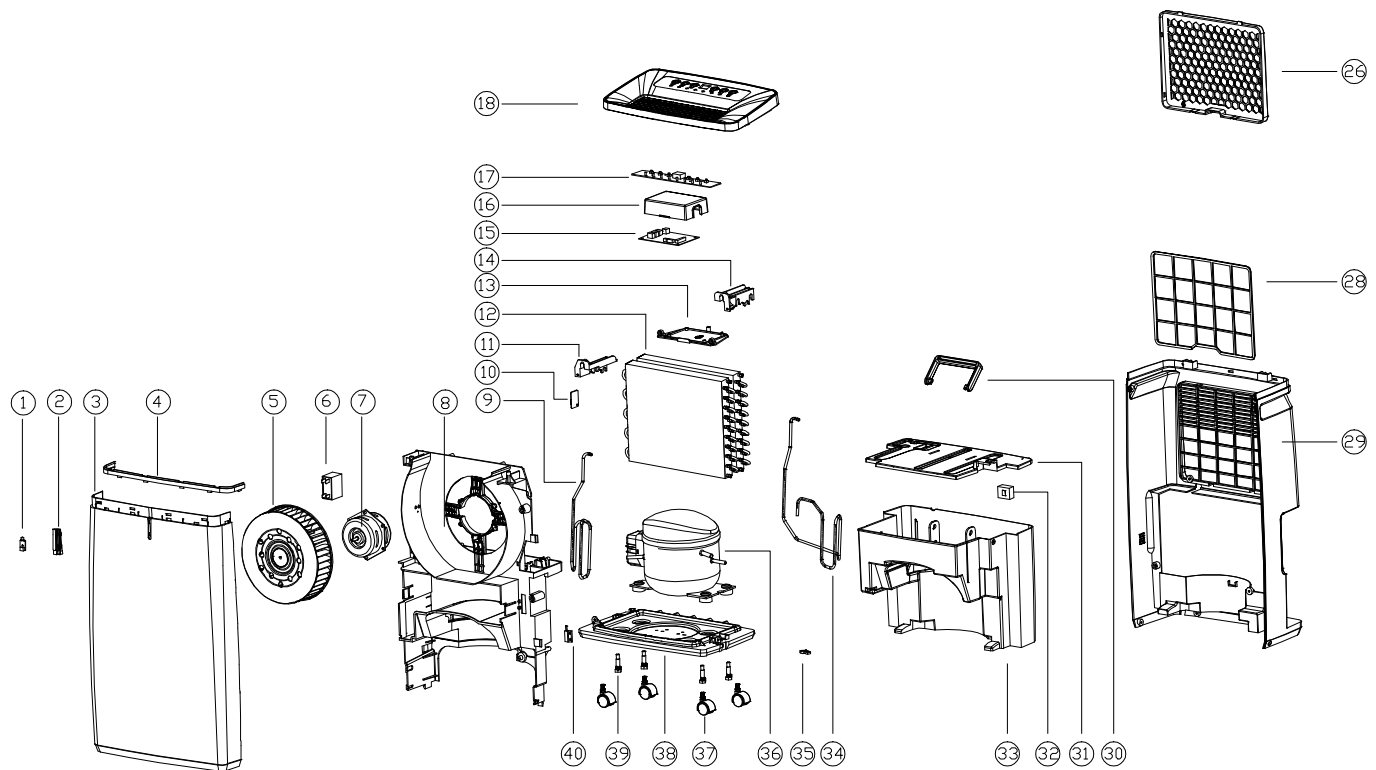
Parameter	Value	
Model	TTK 53 E	TTK 72 E
Max. dehumidification performance	16 l / 24 h	24 l / 24 h
Air flow rate	195 m ³ /h	195 m ³ /h
Operating range (temperature)	5 °C to 32 °C	5 °C to 32 °C
Operating range (relative humidity)	30 % to 80 % RH	30 % to 80 % RH
Pressure suction side	1.2 MPa	1.2 MPa
Pressure outlet side	2.5 MPa	2.5 MPa
Mains supply	220-240 V / 50 Hz	220-240 V / 50 Hz
Max. power consumption	0.24 kW	0.32 kW
Nominal current	1.04 A	1.48 A
Type of protection	IPX2	IPX2
Fusing 	T 3.15 A / 250 V AC	T 3.15 A / 250 V AC
Refrigerant	R290	R290
Amount of refrigerant	55 g	60 g
GWP factor	3	3
CO ₂ equivalent	0.000165 t	0.00018 t
Water tank	5.5 l	5.5 l
Sound pressure level	48 dB(A)	48 dB(A)
Dimensions (length x width x height)	185 x 330 x 550 mm	198 x 330 x 570 mm
Minimum distance to walls and other objects	A: top: 30 cm B: rear: 20 cm C: side: 20 cm D: front: 10 cm	30 cm 20 cm 20 cm 10 cm
Weight	12 kg	13 kg

Wiring diagram



Overview and list of spare parts

Note: The position numbers of the spare parts differ from those describing the positions of the components mentioned in these instructions.



No.	Spare Part	No.	Spare Part	No.	Spare Part
1	LED Lamp	15	Main PCB	29	Back Cover
2	Light Guide	16	Electrical Cover	30	Handle
3	Front Shell	17	Control PCB	31	Tank Cover
4	Decorative Article	18	Top Cover	32	Float
5	Wind Wheel	19	-	33	Water Tank
6	Capacitance	20	-	34	Exhaust Pipe
7	Motor	21	-	35	Block
8	Main Body	22	-	36	Compressor
9	Return Pipe	23	-	37	Universal Wheel
10	Senser	24	-	38	Base
11	Fixed Mount (L)	25	-	39	Screw Arbor
12	Condenser & Evaporator	26	Inlet Frame	40	Reed Pipe
13	Electrical Box	27	-		
14	Fixed Mount (R)	28	Filter Frame		

Disposal

Always dispose of packing materials in an environmentally friendly manner and in accordance with the applicable local disposal regulations.



The icon with the crossed-out waste bin on waste electrical or electronic equipment is taken from Directive 2012/19/EU. It states that this device must not be disposed of with the household waste at the end of its life. You will find collection points for free return of waste electrical and electronic equipment in your vicinity. The addresses can be obtained from your municipality or local administration. You can also find out about other return options that apply for many EU countries on the website <https://hub.trotec.com/?id=45090>. Otherwise, please contact an official recycling centre for electronic and electrical equipment authorised for your country.

The separate collection of waste electrical and electronic equipment aims to enable the re-use, recycling and other forms of recovery of waste equipment as well as to prevent negative effects for the environment and human health caused by the disposal of hazardous substances potentially contained in the equipment.

Only for United Kingdom

According to Waste Electrical and Electronic Equipment Regulations 2013 (SI 2013/3113) (as amended) devices that are no longer usable must be collected separately and disposed of in an environmentally friendly manner.

Trotec GmbH

Grebener Str. 7
D-52525 Heinsberg

☎ +49 2452 962-400

☎ +49 2452 962-200

✉ info@trotec.com

www.trotec.com