

EN

ORIGINAL INSTRUCTIONS
DEHUMIDIFIER



Table of contents

Notes regarding the instructions 2

Safety 2

Information about the device 5

Transport and storage 6

Assembly and start-up 8

Operation 11

Available accessories 12

Errors and faults 13

Maintenance 14

Technical annex 16

Disposal 21

Declaration of conformity 21

Notes regarding the instructions

Symbols



Danger

This symbol indicates dangers to the life and health of persons due to flammable refrigerants.



Warning of electrical voltage

This symbol indicates dangers to the life and health of persons due to electrical voltage.



Warning

This signal word indicates a hazard with an average risk level which, if not avoided, can result in serious injury or death.



Caution

This signal word indicates a hazard with a low risk level which, if not avoided, can result in minor or moderate injury.

Note

This signal word indicates important information (e.g. material damage), but does not indicate hazards.



Info

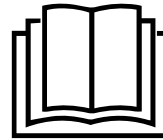
Information marked with this symbol helps you to carry out your tasks quickly and safely.



Follow the manual

Information marked with this symbol indicates that the instructions must be observed.

You can download the current version of these instructions via the following link:



TTK 655 S



<https://hub.trotec.com/?id=41430>

Safety

Read this manual carefully before starting or using the device. Always store the manual in the immediate vicinity of the device or its site of use.



Warning

Read all safety warnings and all instructions.

Failure to follow the warnings and instructions may result in electric shock, fire and/or serious injury.

Save all warnings and instructions for future reference.

- In the scope of European normative requirements (EN 60335-1):
This appliance can be used by children aged from 8 years and above and persons with reduced physical, sensory or mental capabilities or lack of experience and knowledge if they have been given supervision or instruction concerning use of the appliance in a safe way and understand the hazards involved. Children shall not play with the appliance. Cleaning and user maintenance shall not be made by children without supervision.
- In the scope of International normative requirements (IEC 60335-1):
This appliance is not intended for use by persons (including children) with reduced physical sensory or mental capabilities, or lack of experience and knowledge, unless they have been given supervision or instruction concerning use of the appliance by a person responsible for their safety. Children should be supervised to ensure that they do not play with the appliance.
- Do not use the device in potentially explosive rooms or areas and do not install it there.
- Do not use the device in aggressive atmosphere.
- Only put up the device in an upright, stable position on firm ground.
- Let the device dry out after a wet clean. Do not operate it when wet.

- Do not use the device with wet or damp hands.
- Do not expose the device to directly squirting water.
- Do not cover the device during operation.
- Do not sit on the device.
- This appliance is not a toy. Keep away from children and animals.
- Occasionally observe the device during operation.
- Check accessories and connection parts for possible damage prior to every use of the device. Do not use any defective devices or device parts.
- Ensure that all electric cables outside of the device are protected from damage (e.g. caused by animals). Never use the device if electric cables or the power connection are damaged!
- The mains connection must correspond to the specifications in the Technical annex.
- Insert the mains plug into a properly fused mains socket.
- Observe the device's power input, cable length and intended use when selecting extensions to the power cable. Completely unroll extension cables. Avoid electrical overload.
- Do not under any circumstances use the device if you detect damages on the mains plug or power cable. If the power cable is damaged, it must be replaced by the manufacturer, its service agent or similarly qualified persons in order to avoid a hazard. Defective power cables pose a serious health risk!
- Before carrying out maintenance, care or repair work on the device, remove the mains plug from the mains socket. Hold onto the mains plug while doing so.
- Switch the device off and disconnect the power cable from the mains socket when the device is not in use.
- When positioning the device, observe the minimum distances from walls and other objects as well as the storage and operating conditions specified in the Technical annex.
- Make sure that the air inlet and outlet are not obstructed.
- Make sure that the suction side is kept free of dirt and loose objects.
- Never insert any objects or limbs into the device.
- Do not remove any safety signs, stickers or labels from the device. Keep all safety signs, stickers and labels in legible condition.
- Only transport the device in an upright position with an emptied condensation tank or drain hose.
- Discharge the collected condensate before transport and storage. Do not drink it. Health hazard!
- Only use original spare parts, for otherwise safe and functional operation cannot be ensured.



Safety warnings for devices containing flammable refrigerants

- Only position the device in rooms where potentially leaking refrigerant cannot accumulate. Unventilated rooms, in which the device is installed, operated or stored, must be built in a way to ensure that potentially leaking refrigerant cannot accumulate. This serves to avoid fire or explosion hazards resulting from an ignition of the refrigerant by an electric furnace, cooking stove or another ignition source.
- Only position the device in rooms where there is no source of ignition (e.g. open flames, an active gas appliance or an electric heater).
- Please note that the refrigerant is odourless.
- Only install the device in compliance with the national installation regulations.
- Please observe the local regulations.
- Observe the national gas regulations.
- Only install, operate and store the device TTK 655 S in a room measuring more than 4 m².
- Store the device in a way that no mechanical damage can occur.
- Please note that the connected pipelines must not contain any sources of ignition.
- R454C comes with a low GWP factor (Global Warning Potential) of 146 and an ODP (ozone depletion potential) of 0.
- Observe the maximum refrigerant capacity in the technical data.
- Do not drill through or burn.
- Do not use any means other than those recommended by the manufacturer for accelerating the defrosting process.
- Every person working with or at the refrigerant circuit must be able to provide a certificate of qualification issued by a body accredited by the industry, demonstrating their competence in the safe use of refrigerants based on a procedure well-known in the industry.
- Service work may only be carried out in accordance with the manufacturer's specifications. If maintenance and repair work require the support of additional persons, the person trained in handling flammable refrigerants shall continuously supervise the work carried out.
- The entire refrigerant circuit is a maintenance-free, hermetically sealed system and may only be maintained or repaired by specialist companies for cooling and air-conditioning or by Trotec.

Intended use

Only use the device for drying and dehumidifying room air, while adhering to and following the technical data.

Intended use comprises:

- dehumidifying and drying:
 - living rooms, bedrooms and basements
 - holiday homes, camper vans
- maintaining the dryness of:
 - storage spaces, archives, laboratories, garages
 - changing rooms etc.

Foreseeable misuse

- Do not place the device on wet or flooded ground.
- Do not place any objects, e.g. clothing, on the device.
- Do not use the device out of doors.
- This device must not be used in wet rooms (e.g. laundry rooms).
- Never immerse the device in water.
- Do not make any unauthorised modifications, alterations or structural changes to the device.
- Any use other than the intended use is regarded as a reasonably foreseeable misuse.

Personnel qualifications

People who use this device must:

- be aware of the dangers that occur when working with electric devices in damp areas.
- have read and understood the instructions, especially the Safety chapter.

Maintenance tasks which require the housing to be opened must only be carried out by specialist companies for cooling and air-conditioning or by Trotec.

Safety signs and labels on the device

Note

Do not remove any safety signs, stickers or labels from the device. Keep all safety signs, stickers and labels in legible condition.

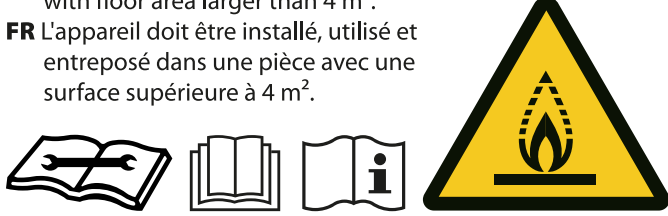
The following safety signs and labels are attached to the device:

WARNING • WARNUNG • ATTENTION

DE Das Gerät muss in einem Raum mit einer Grundfläche größer als 4 m² aufgestellt, betrieben und gelagert werden.

EN Appliance shall be installed, operated and stored in a room with floor area larger than 4 m².

FR L'appareil doit être installé, utilisé et entreposé dans une pièce avec une surface supérieure à 4 m².




Follow the manual

This symbol indicates that the instructions must be observed.



Follow the repair manual

Disposal, maintenance and repair work of the refrigerant circuit may only be carried out in accordance with the manufacturer's specifications and by persons having a certificate of qualification. A corresponding repair manual is available from the manufacturer upon request.

The following note is attached to the device in German and English.

ATTENTION:
The device will only start after 3-5 minutes.

Residual risks



Danger

Refrigerant R454C!

H221 – Flammable gas.

H280 – Contains gas under pressure; may explode if heated.

P210 – Keep away from heat, sparks, open flames and other ignition sources. No smoking.

P381 – Eliminate all ignition sources if safe to do so.

P403 – Store in a well-ventilated place.



Warning of electrical voltage

Work on the electrical components must only be carried out by an authorised specialist company!



Warning of electrical voltage

Risk of electric shock!

The device does not have the appropriate protection class for use in wet rooms.

There is a risk of electric shock!

Never use the device in wet rooms (e.g. in bathrooms and laundry rooms) and never immerse the device in water!



Warning of electrical voltage

Before any work on the device, remove the mains plug from the mains socket!

Do not touch the mains plug with wet or damp hands.

Hold onto the mains plug while pulling the power cable out of the mains socket.



Warning

Dangers can occur at the device when it is used by untrained people in an unprofessional or improper way! Observe the personnel qualifications!



Warning

The device is not a toy and does not belong in the hands of children.



Warning

Risk of suffocation!

Do not leave the packaging lying around. Children may use it as a dangerous toy.

Note

Do not operate the device without an air filter inserted into the air inlet!

Without the air filter, the inside of the device will be heavily contaminated. This could reduce the performance and result in damage to the device.

Behaviour in the event of an emergency

1. Switch the device off.
2. Disconnect the device from the mains feed-in: Hold onto the mains plug while pulling the power cable out of the mains socket.
3. Do not reconnect a defective device to the mains.

Information about the device

Device description

The device uses the principle of condensation to automatically dehumidify rooms.

The fan sucks damp room air through the air inlet, the air filter, the evaporator and to the condenser located behind it. The air is cooled at the cold evaporator until it is below the dew point. Water vapour contained in the room air precipitates on the evaporator fins as condensation or rime. The dehumidified, cooled air is slightly warmed at the condenser and blown out again. The drier air thus conditioned mixes with the air in the room. The humidity in the room where the device is positioned is reduced as air constantly circulates through the device.

The condensation is fed from the device through the condensation drain hose connected to the hose connector into an external container or drain.

Optionally, the condensed water can also be discharged from the device by means of a retrofitted condensate pump (see chapter Installing the condensate pump).

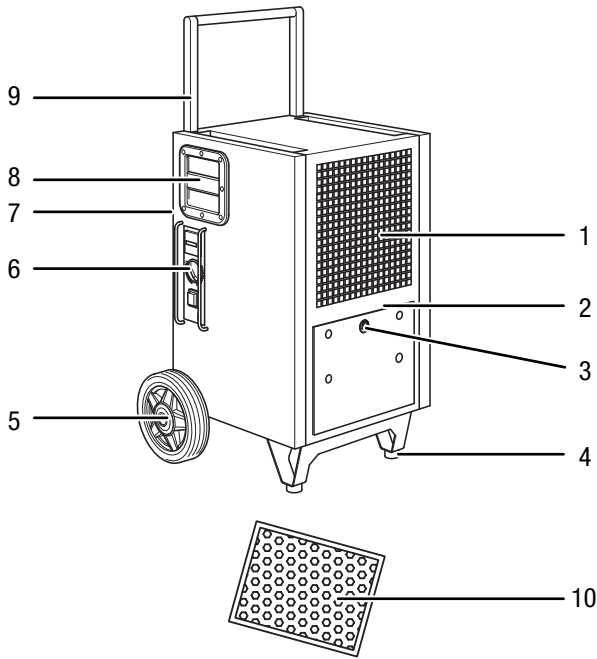
For easy operation and transport, the device is fitted with an on / off switch, an operating hours counter, a transport handle and wheels. Two feet with rubber buffers prevent the device from rolling away.

The device can reduce the relative humidity of a room to approx. 32 %. Due to the heat radiation generated during operation, the room temperature may rise by approx. 1–4 °C.

The compressor comes with a temperature limitation protecting the compressor and other components from overheating.

The compressor is automatically switched off when a temperature of 35 °C is exceeded.

Device depiction



No.	Designation
1	Air inlet
2	Connection for optional condensate pump
3	Hose connector for condensation drain hose
4	Foot
5	Transport wheel
6	Operating element
7	Air outlet
8	Carrying handle
9	Transport handle
10	Air filter

Transport and storage

Note

If you store or transport the device improperly, the device may be damaged.
 Note the information regarding transport and storage of the device.

Transport

Please note that additional transport regulations might apply to devices containing flammable refrigerants. The equipment's arrangement and the maximum number of components to be transported together can be gathered from the applicable transport regulations.

To make the device easier to transport, it is fitted with a transport handle and wheels.

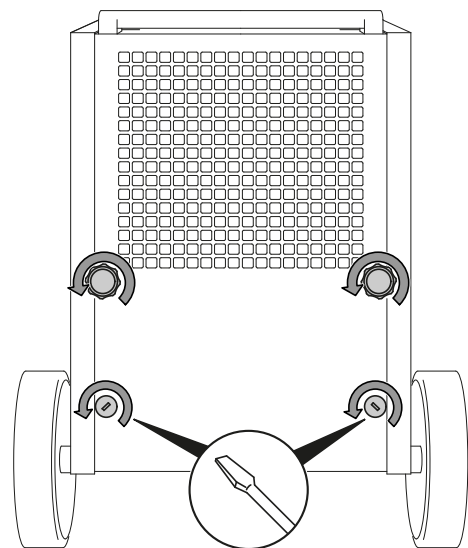
Before transporting the device, observe the following:

- Switch the device off.
- Hold onto the mains plug while pulling the power cable out of the mains socket.
- Drain the remaining condensate from the device and the condensation drain hose (see chapter Maintenance).
- Do not use the power cable to drag the device.
- Only wheel the device on firm and level surfaces.

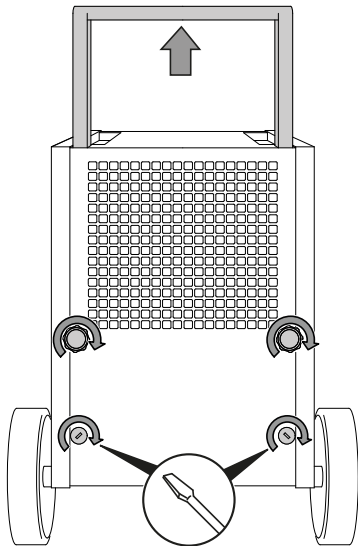
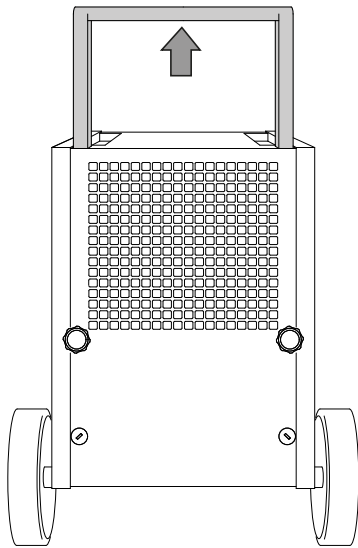
Note

After unpacking the device, remove the two lower screws and adjust the transport handle. Afterwards, reinsert the screws. This only needs to be carried out the very first time that the device is unpacked.

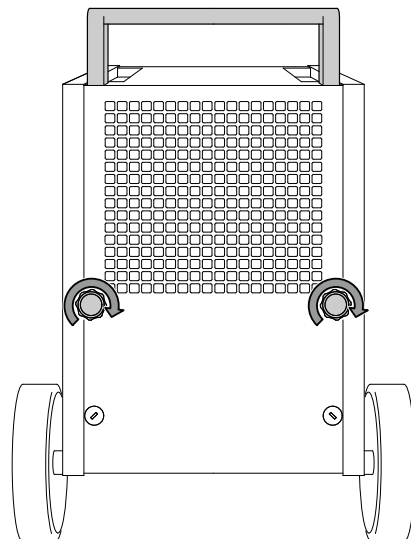
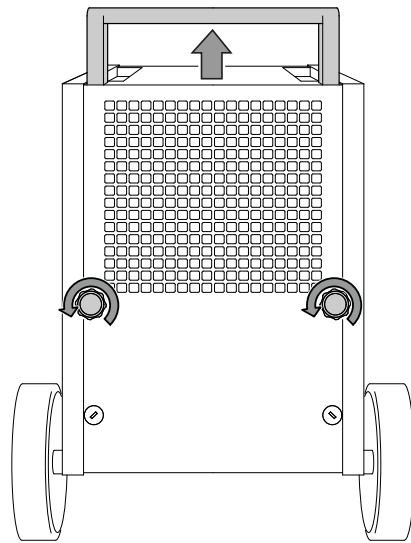
Transport handle upon delivery



Transport handle in transport position

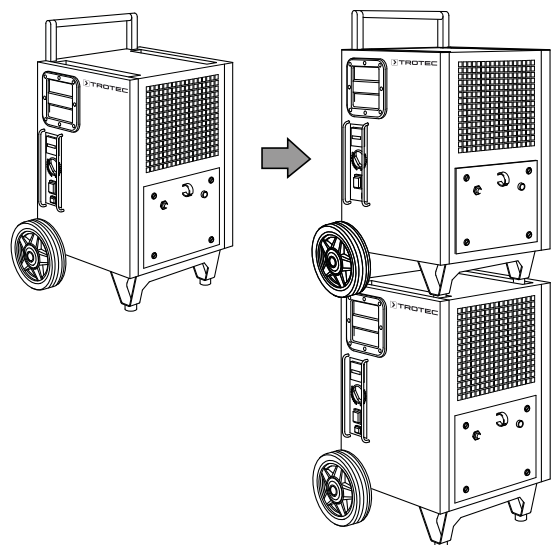


Stacking



While transporting the device, observe the following:

- Hold the transport handle in both hands and tilt the device so that it can be rolled on its wheels.
- Move the device to the site where you want to use it.



After transporting the device, proceed as follows:

- Set up the device in an upright position after transport.

Storage

Before storing the device, proceed as follows:

- Drain the remaining condensate from the device and the condensation drain hose (see chapter Maintenance).
- Hold onto the mains plug while pulling the power cable out of the mains socket.
- Drain any possibly remaining condensate.

When the device is not being used, observe the following storage conditions:

- Only store the device in a room measuring more than 4 m².
- Only position the device in rooms where there is no source of ignition (e.g. open flames, an active gas appliance or an electric heater).
- Store the device in a dry location and protected from frost and heat.
- Store the device in an upright position where it is protected from dust and direct sunlight.
- If required, use a cover to protect the device from invasive dust.
- Place no further devices or objects on top of the device to prevent it from being damaged.

Assembly and start-up

Scope of delivery

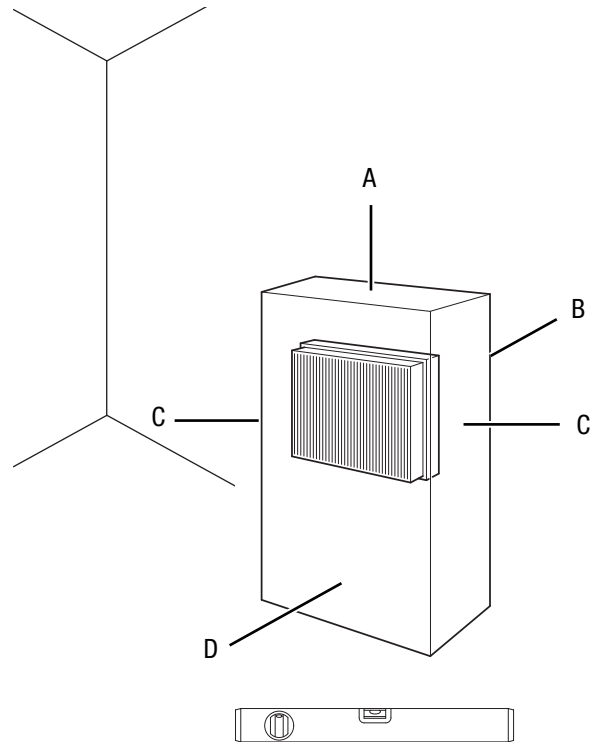
- 1 x Device
- 1 x Air filter
- 1 x Condensation drain hose, 15 mm diameter
- 1 x Manual

Unpacking the device

1. Open the cardboard box and take the device out.
2. Completely remove the packaging.
3. Fully unwind the power cable. Make sure that the power cable is not damaged and that you do not damage it during unwinding.

Start-up

When positioning the device, observe the minimum distance from walls or other objects as described in the chapter Technical annex.



- Before restarting the device, check the condition of the power cable. If there are doubts as to the sound condition, contact the customer service.
- Only position the device in rooms where potentially leaking refrigerant cannot accumulate.
- Only position the device in rooms where there is no source of ignition (e.g. open flames, an active gas appliance or an electric heater).
- Only put up the device in an upright, stable position on firm ground.
- Do not create tripping hazards when laying the power cable or other electric cables, especially when positioning the device in the middle of the room. Use cable bridges.
- Make sure that extension cables are completely unrolled.
- When positioning the device, keep a sufficient distance to heat sources.
- Make sure that no curtains or other objects interfere with the air flow.
- When positioning the device, secure the device locally with an RCD (Residual Current Device) which complies with the appropriate regulations.

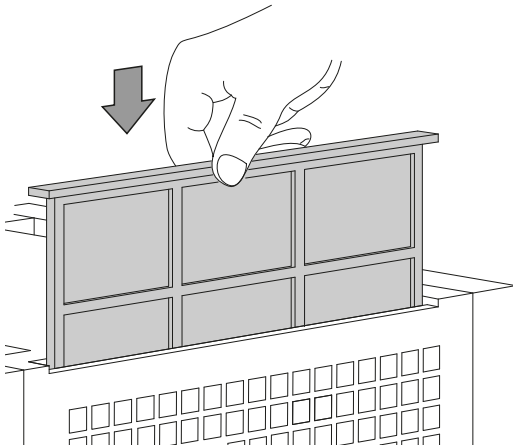
Inserting the air filter

Note

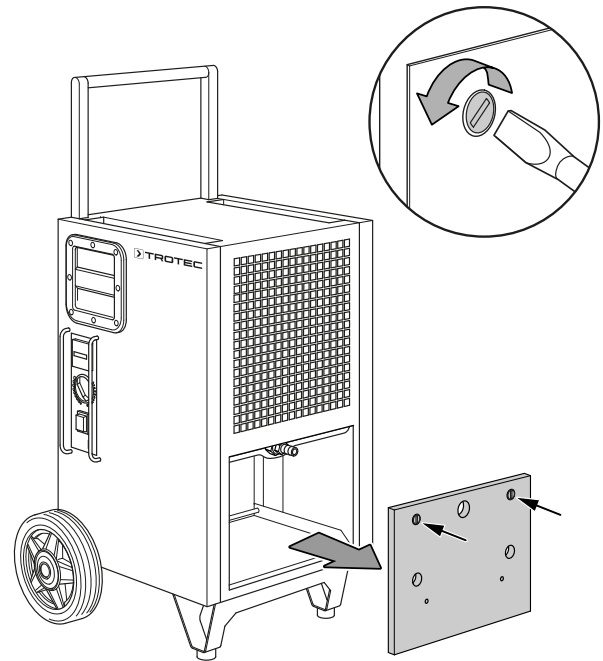
Do not operate the device without an air filter inserted into the air inlet!

Without the air filter, the inside of the device will be heavily contaminated. This could reduce the performance and result in damage to the device.

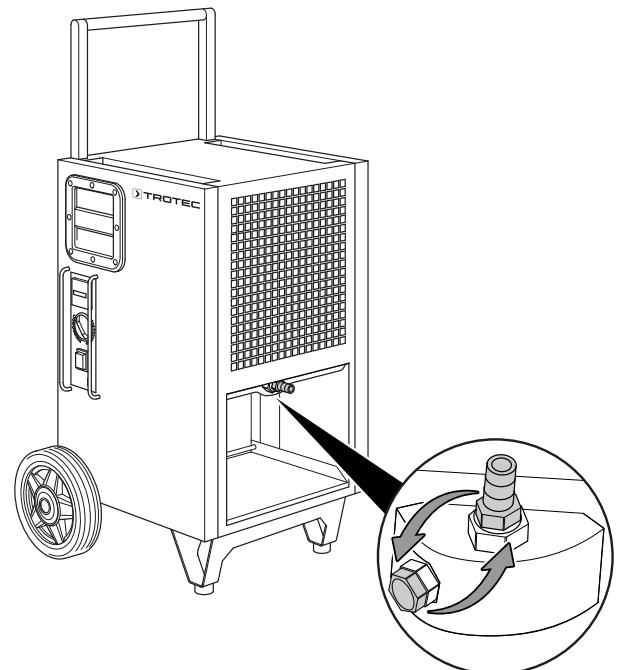
- Make sure that the air filter is installed before switching the device on.



1.



2.



Installing the condensate pump (optional)

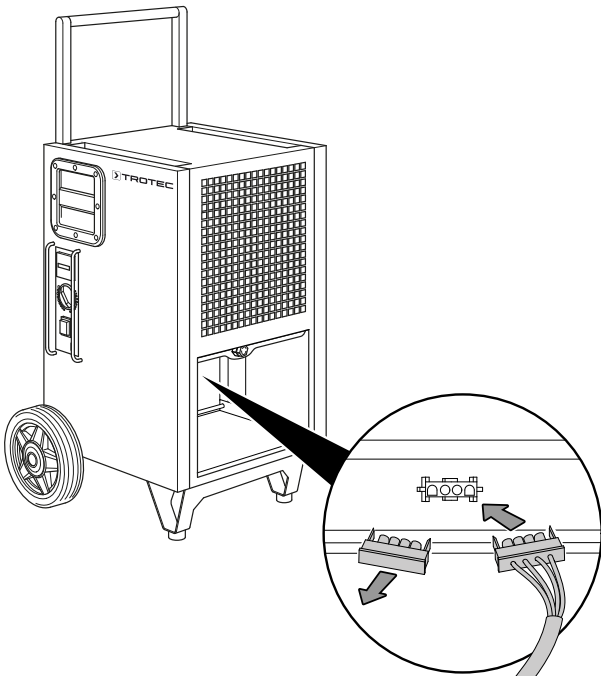


Info

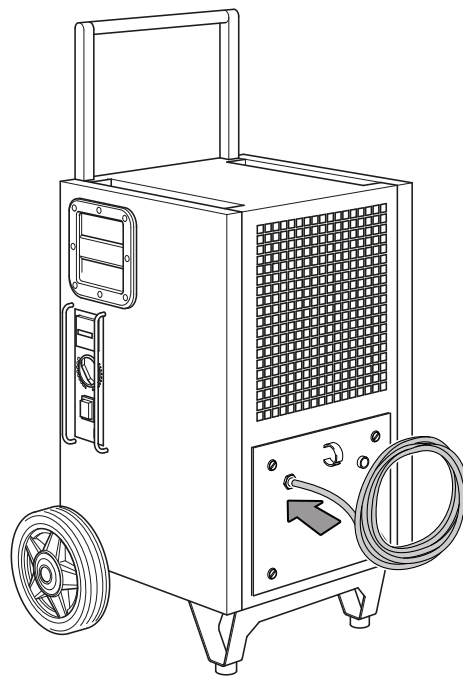
If you use the device in combination with the condensate pump via the TTKwic port and with the Qube, the Qube should be switched on and ready for use at all times to ensure the continuous operation of the pump.

If the Qube's internal pump does not deliver, the collected condensate in the Qube can flow back from the container through the suction hoses.

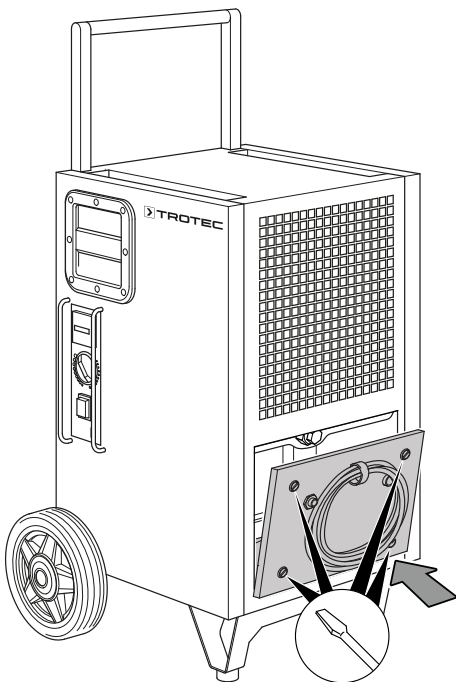
3.



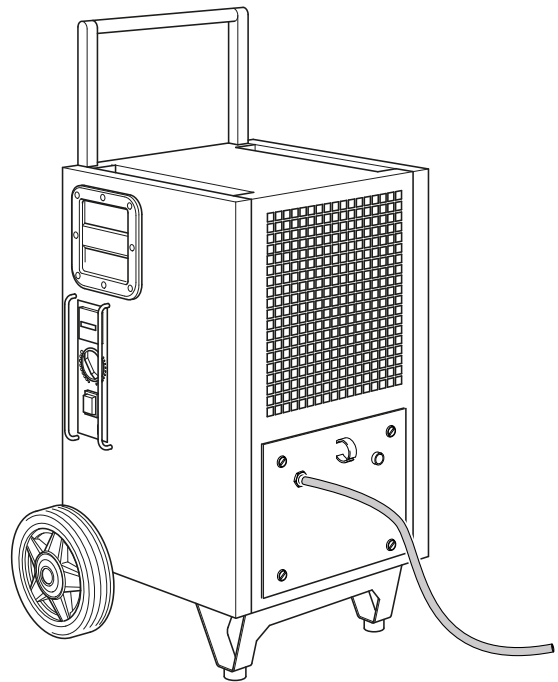
5.



4.



6.

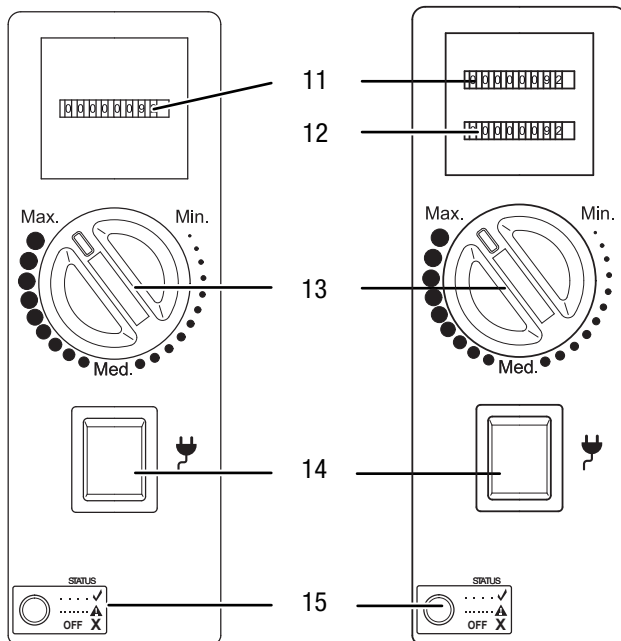


Connecting the power cable

- Insert the mains plug into a properly secured mains socket.

Operation

Operating element



No.	Designation	Meaning
11	Operating hours counter	Indication of operating hours
12	Kilowatt hours counter, MID-certified (optional)	Indication of energy consumption
13	Rotary switch	Selection of relative room humidity
14	On/off switch	Switching the device on and off; Is illuminated when the device is switched on
15	Status LED	Indicates the operating status and error messages



Warning of electrical voltage

Risk of electric shock!

The device does not have the appropriate protection class for use in wet rooms.

There is a risk of electric shock!

Never use the device in wet rooms (e.g. in bathrooms and laundry rooms) and never immerse the device in water!

The device is optionally available with an operating element with dual counter (see the image at the top right). The dual counter registers both the operating hours and the energy consumption and is certified according to the MID (Measuring Instruments Directive 2004/22/EC). The kWh display is factory-calibrated and may be used for accounting purposes. Contact your Trotec customer service.

The *Status* LED (15) flashes once a second during normal operation. If it flashes more frequently, lights up permanently or does not light up at all, there might be a fault, see chapter Errors and faults.

Switching the device on

Once you have completely installed the device as described in the chapter Assembly and start-up, you can switch it on.



Info

Note that the device is only functional after three to five minutes each time it is switched on.



Info

The compressor always starts with a delay. This protects the compressor and thus increases its lifetime. This delay is enabled during hygostat operation. If the room humidity exceeds the setting of the selection switch, the compressor will only switch back on after a delay. Depending on the compressor, the fan keeps running.

1. Ensure that the condensation drain hose is properly connected to the device and is free of damage.
2. Position a sufficiently large container (at least 20 litres; we recommend a 60-litre mortar tub) beside the device and insert the hose end. Check the filling level of the container regularly.
3. Make sure that the condensation drain hose is installed with a continuous decline.
4. Insert the mains plug into a properly secured mains socket.
5. Switch on the device at the mains switch (14).
6. Ensure that the mains switch (14) is lit.
7. Adjust the room humidity level with the rotary switch (13).

Continuous operation mode

In continuous operation mode, the device dehumidifies the air constantly, regardless of the humidity. To start continuous operation mode, set the rotary switch (13) to Max.

Automatic defrost

If the room temperature is below 11 °C, the evaporator will freeze during dehumidification. The device will then carry out an automatic defrost. The duration of the defrost process can vary.

- Do not switch off the device during automatic defrost. Do not remove the mains plug from the mains socket.

Temperature limitation (overheating protection)

The device comes with a temperature limitation. It serves to protect e.g. the compressor from overheating.

- Upper temperature limit: +35 °C +/- 2 °C
- Lower temperature limit: -3 °C +/- 2 °C

If the ambient temperature exceeds or falls below these limits, the device automatically switches off the compressor. This feature protects the device from overloading since high temperatures and high humidity levels expose the device to extreme stresses. Moreover, drying is no longer economical at such high temperatures and also poses dangers for the inventory of the room to be dried. Please note that the switch-off function works with a switch-on hysteresis of -2 °C.

Operation with condensate pump (optional)

Note

The connection for the hose adapter is located in the inside of the device.



Warning of electrical voltage

Always disconnect the condensate pump from the plug connection before connecting the pump. This process has to be carried out with the device disconnected from the mains.

Otherwise there is a risk of an electric shock!

Optionally, the condensed water can also be discharged from the device by means of a retrofitted condensate pump (see chapter Available accessories). With a pump performance of up to 50 m and a maximum pump height of 4 m, the condensate can even be continuously discharged across storeys of a building.

Shutdown



Warning of electrical voltage

Do not touch the mains plug with wet or damp hands.

- Switch off the device.
- Hold onto the mains plug while pulling the power cable out of the mains socket.
- Clean the device according to the Maintenance chapter.
- Store the device according to the Transport and storage chapter.

Available accessories



Warning

Only use accessories and additional equipment specified in the instructions. Using insertion tools or accessories other than those specified in the instructions may cause a risk of injury.

Designation	Article number
Air filter TTK 655 S	7.160.000.009
External condensate pump	6.100.003.030
Protective cover	6.100.003.115
Dual counter for operating and kilowatt hours	7.140.000.903

Errors and faults

The device has been checked for proper functioning several times during production. If malfunctions occur nonetheless, check the device according to the following list.

The device does not start:

- Check the power connection.
- Check the power cable and mains plug for damage.
- Check the on-site fusing.
- Check the room temperature. Observe the device's permissible operating range according to the technical data.

The device is running, but there is no formation of condensate:

- Check the room temperature. Observe the device's permissible operating range according to the technical data.
- Ensure that the relative room humidity complies with the technical data.
- Check the air filter for dirt. If necessary, clean or replace the air filter.
- The device might carry out an automatic defrost. During automatic defrost, the device does not dehumidify.
- From the outside, check the condenser for dirt (see chapter Maintenance). If the condenser is dirty, have it cleaned by a specialist company or by Trotec.

The device is loud or vibrates:

- Check whether the device is set up in a stable and upright position.

Condensate is leaking:

- Check the device for leaks.

The compressor does not start:

- Check the room temperature. Observe the device's permissible operating range according to the technical data.
- Check whether the overheating protection of the compressor has tripped. Disconnect the device from the mains and let it cool down for approx. 10 minutes before reconnecting it.
- The device might carry out an automatic defrost. During automatic defrost, the device does not dehumidify.

The device gets very warm, is loud or is losing performance:

- Check the air inlets and air filters for dirt. Remove external dirt.
- From the outside, check the device for dirt (see chapter Maintenance). If the inside of the device is dirty, have it cleaned by a specialist company for cooling and air-conditioning or by Trotec.

Note

Wait for at least 3 minutes after maintenance and repair work. Only then switch the device back on.

The device still does not operate correctly after these checks:

Please contact the customer service. If necessary, bring the device to a specialist company for cooling and air-conditioning or to Trotec for repair.

Error codes

The *Status* LED (15) can indicate the following statuses during operation:

Error message	Meaning	Remedy
Flashing once per second	Normal operation	No remedy required
Flashing five times per second	The temperature is above or below the limit.	The temperature should be within the operating temperature range specified in the Technical data.
	The humidity level has reached the switching point.	The device will switch back on once the humidity level set is exceeded.
Permanently illuminated	There is a general problem.	Please contact the customer service.
Not illuminated		

Maintenance

Maintenance intervals

Maintenance and care interval	before every start-up	as needed	at least every 2 weeks	at least every 4 weeks	at least every 6 months	at least annually
Check the air inlets and outlets for dirt and foreign objects and clean if necessary	X			X		
Clean the exterior		X				X
Visually check the inside of the device for dirt		X				X
Check the air filter for dirt and foreign objects and clean or replace if necessary	X		X			
Replace the air filter					X	
Check for damage	X					
Check the attachment screws		X				X
Test run						X
Empty the condensation tank and/or drain hose		X				

Maintenance and care log

Device type:

Device number:

Maintenance and care interval	1	2	3	4	5	6	7	8	9	10	11	12	13	14	15	16
Check air inlets and outlets for dirt and foreign objects and clean if necessary																
Clean the exterior																
Visually check the inside of the device for dirt																
Check the air filter for dirt and foreign objects and clean or replace if necessary																
Replace the air filter																
Check for damage																
Check the attachment screws																
Test run																
Empty the condensation tank and/or drain hose																
Comments																

1. Date: Signature:	2. Date: Signature:	3. Date: Signature:	4. Date: Signature:
5. Date: Signature:	6. Date: Signature:	7. Date: Signature:	8. Date: Signature:
9. Date: Signature:	10. Date: Signature:	11. Date: Signature:	12. Date: Signature:
13. Date: Signature:	14. Date: Signature:	15. Date: Signature:	16. Date: Signature:

Activities required before starting maintenance



Warning of electrical voltage

Do not touch the mains plug with wet or damp hands.

- Switch the device off.
- Hold onto the mains plug while pulling the power cable out of the mains socket.



Warning of electrical voltage

Tasks which require the device to be opened must only be carried out by authorised specialist companies or by Trotec.

Running capacitor

Note

Replace the running capacitor after 10,000 operating hours!

Refrigerant circuit



Danger

Refrigerant R454C!

H221 – Flammable gas.

H280 – Contains gas under pressure; may explode if heated.

P210 – Keep away from heat, sparks, open flames and other ignition sources. No smoking.

P381 – Eliminate all ignition sources if safe to do so.

P403 – Store in a well-ventilated place.

- The entire refrigerant circuit is a maintenance-free, hermetically sealed system and may only be maintained or repaired by specialist companies for cooling and air-conditioning or by Trotec.

Safety signs and labels on the device

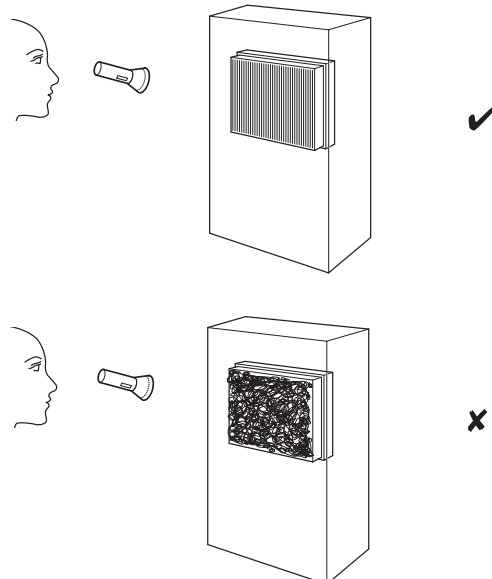
Check the safety signs and labels attached to the device at regular intervals. Replace illegible safety signs!

Cleaning the housing

Clean the housing with a soft, damp and lint-free cloth. Make sure that no moisture enters the housing. Protect electrical components from moisture. Do not use any aggressive cleaning agents such as cleaning sprays, solvents, alcohol-based or abrasive cleaners to dampen the cloth.

Visual inspection of the inside of the device for dirt

1. Remove the air filter.
2. Use a torch to illuminate the openings of the device.
3. Check the inside of the device for dirt.
4. If you see a thick layer of dust, have the inside of the device cleaned by a specialist company for cooling and air-conditioning or by Trotec.
5. Put the air filter back in.



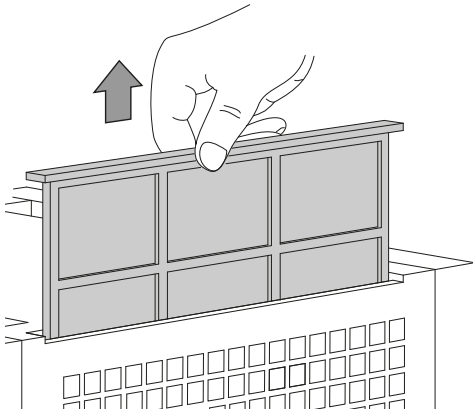
Cleaning the air filter

Note

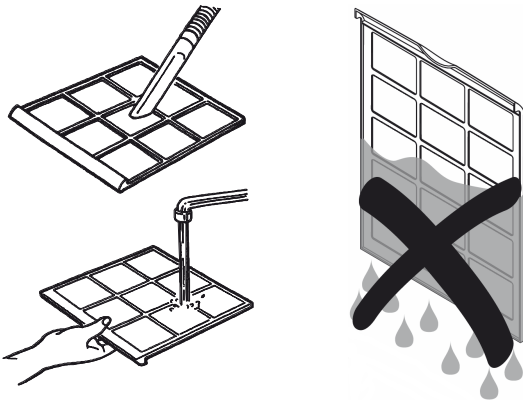
Ensure that the air filter is not worn or damaged. The corners and edges of the air filter must not be deformed or rounded. Before reinserting the air filter, make sure that it is undamaged and dry!

The air filter has to be cleaned as soon as it is dirty. This is brought to light e.g. by a reduced capacity (see chapter Errors and faults).

1. Remove the air filter from the device.



2. Clean the filter using a slightly damp, soft, lint-free cloth. If the filter is heavily contaminated, clean it with warm water mixed with a neutral cleaning agent.



3. Allow the filter to dry completely. Do not insert a wet filter into the device!
4. Reinsert the air filter into the device.

Activities required after maintenance

If you want to continue using the device:

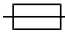
- Reconnect the device to the mains.

If you do not intend to use the device for a considerable time:

- Store the device according to the Transport and storage chapter.

Technical annex

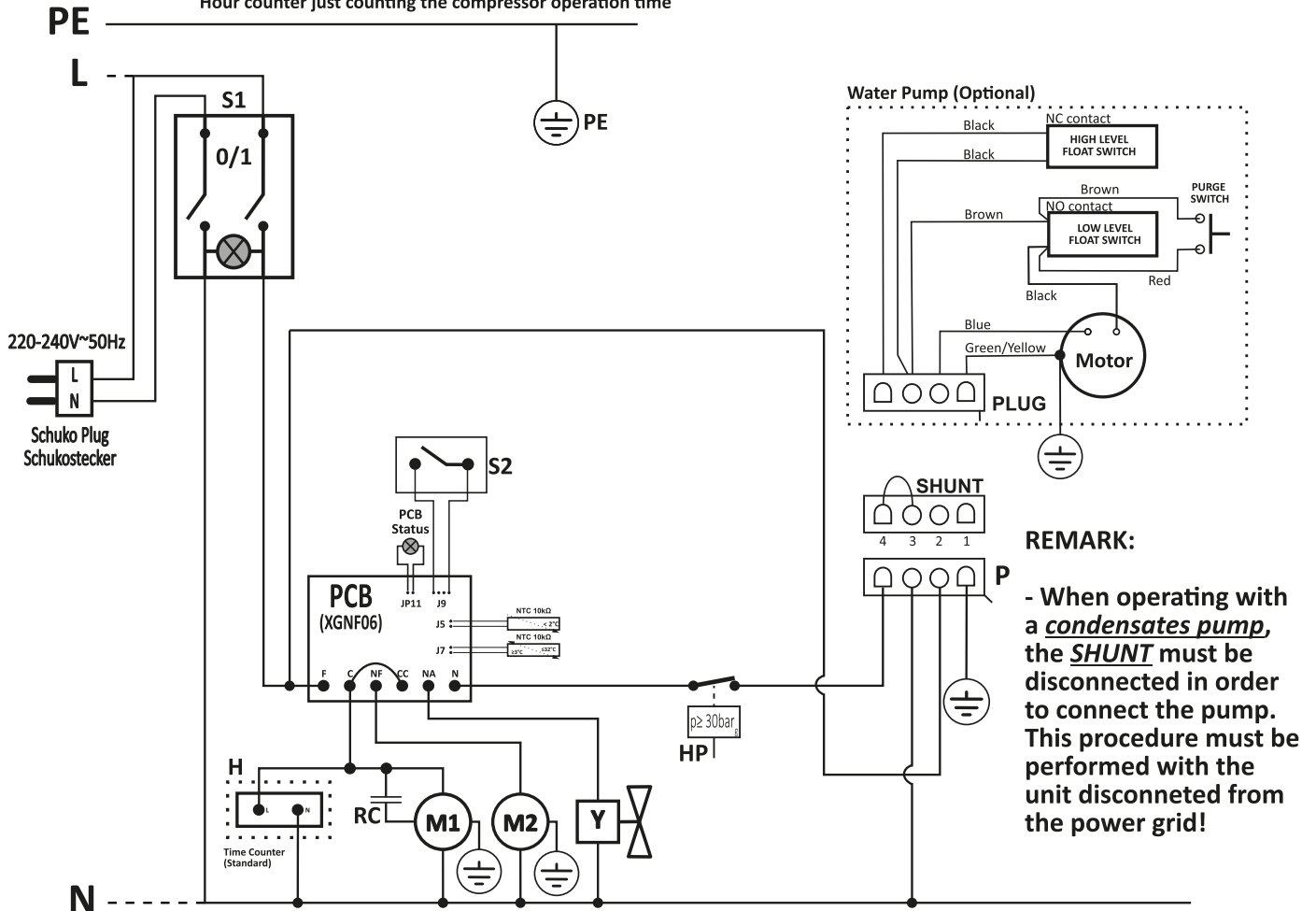
Technical data

Parameter	Value
Model	TTK 655 S
Dehumidification performance @ 30 °C / 80 % RH	91 l / 24 h
Operating range (temperature)	5 °C – 32 °C
Operating range (relative humidity)	50 % – 90 % RH
Max. permissible pressure	3.0 MPa
Pressure suction side	0.6 MPa
Discharge side pressure	2.8 MPa
Air volume flow	1000 m ³ /h
Mains supply	220 – 240 V ~ 50 Hz
Max. power consumption	2.1 kW
Type of protection	IPX0
Nominal current	9.5 A
Fusing 	-
Refrigerant	R454C
Amount of refrigerant	1050 g
GWP factor	146
CO ₂ equivalent	0.15 t
Sound pressure level LpA (1 m; complies with DIN 45635-01-KL3)	56 dB(A)
Dimensions (length x width x height)	620 x 515 x 858 mm
Minimum distance to walls and other objects	A: top: 50 cm B: rear: 50 cm C: side: 50 cm D: front: 50 cm
Weight	55 kg

Wiring diagram

With operating hours counter

Wiring diagram with shunt & condensates pump (option) & pressure switch resetting the PCB
 With the LED in JP11, the ambient temperature monitoring probe is active and in this mode a 3 min. delay is set during startup
 Hour counter just counting the compressor operation time



REMARK:

- When operating with a condensates pump, the SHUNT must be disconnected in order to connect the pump. This procedure must be performed with the unit disconnected from the power grid!

PE – Protective earth conductor

N – Common line

L – Line

S1 – On-Off switch

S2 – Micro switch (tank presence)

M1 – Compressor

M2 – Fan motor

Y – Two way valve

RC – Running capacitor

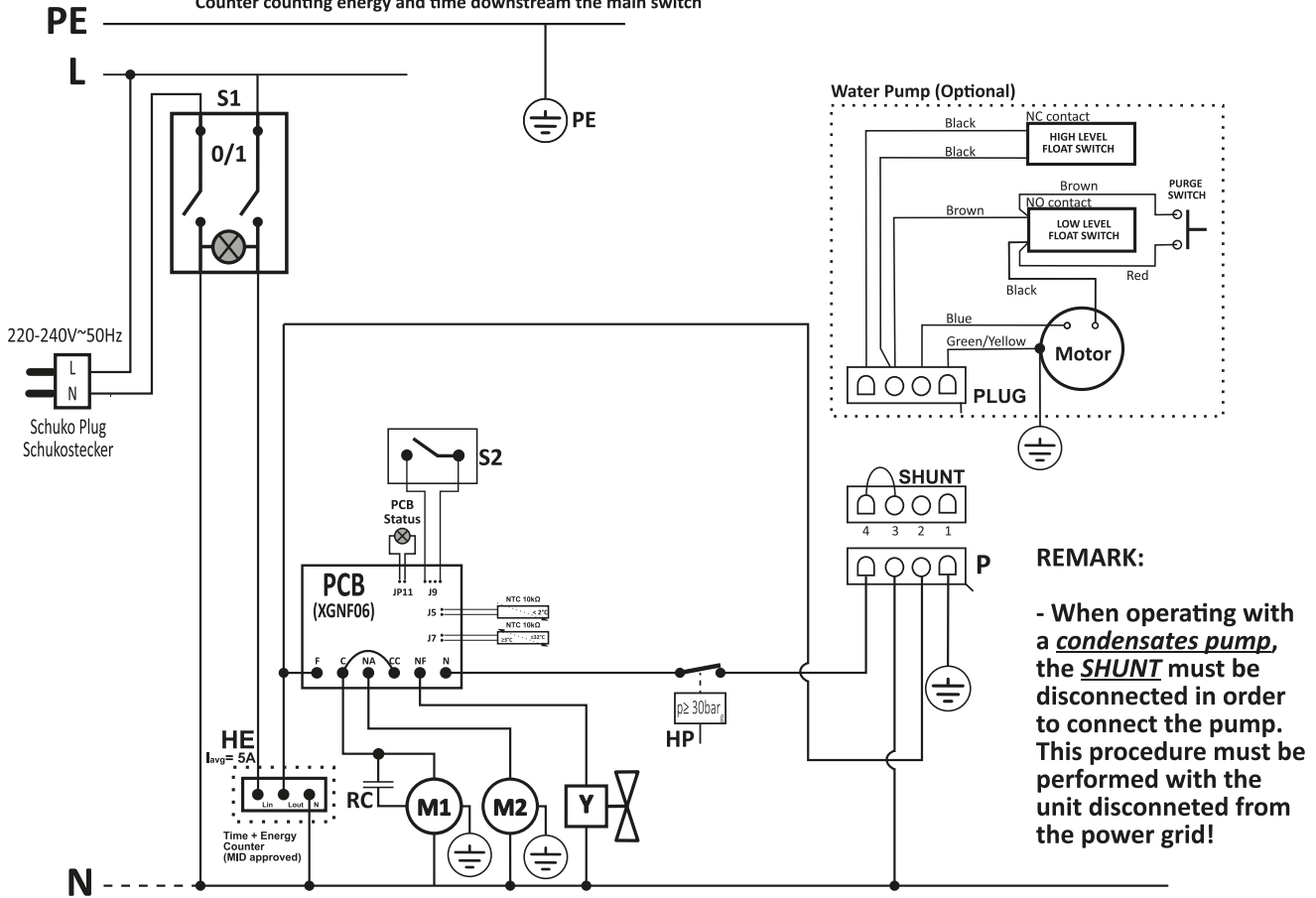
H – Time counter

P – Socket (condensate pump)

HP – High pressure switch

With operating hours counter and MID counter

Wiring diagram with shunt & condensates pump (option) & pressure switch resetting the PCB
 With the LED in JP11, the ambient temperature monitoring probe is active and in this mode a 3 min. delay is set during startup
 Counter counting energy and time downstream the main switch



REMARK:
 - When operating with a condensates pump, the **SHUNT** must be disconnected in order to connect the pump. This procedure must be performed with the unit disconnected from the power grid!

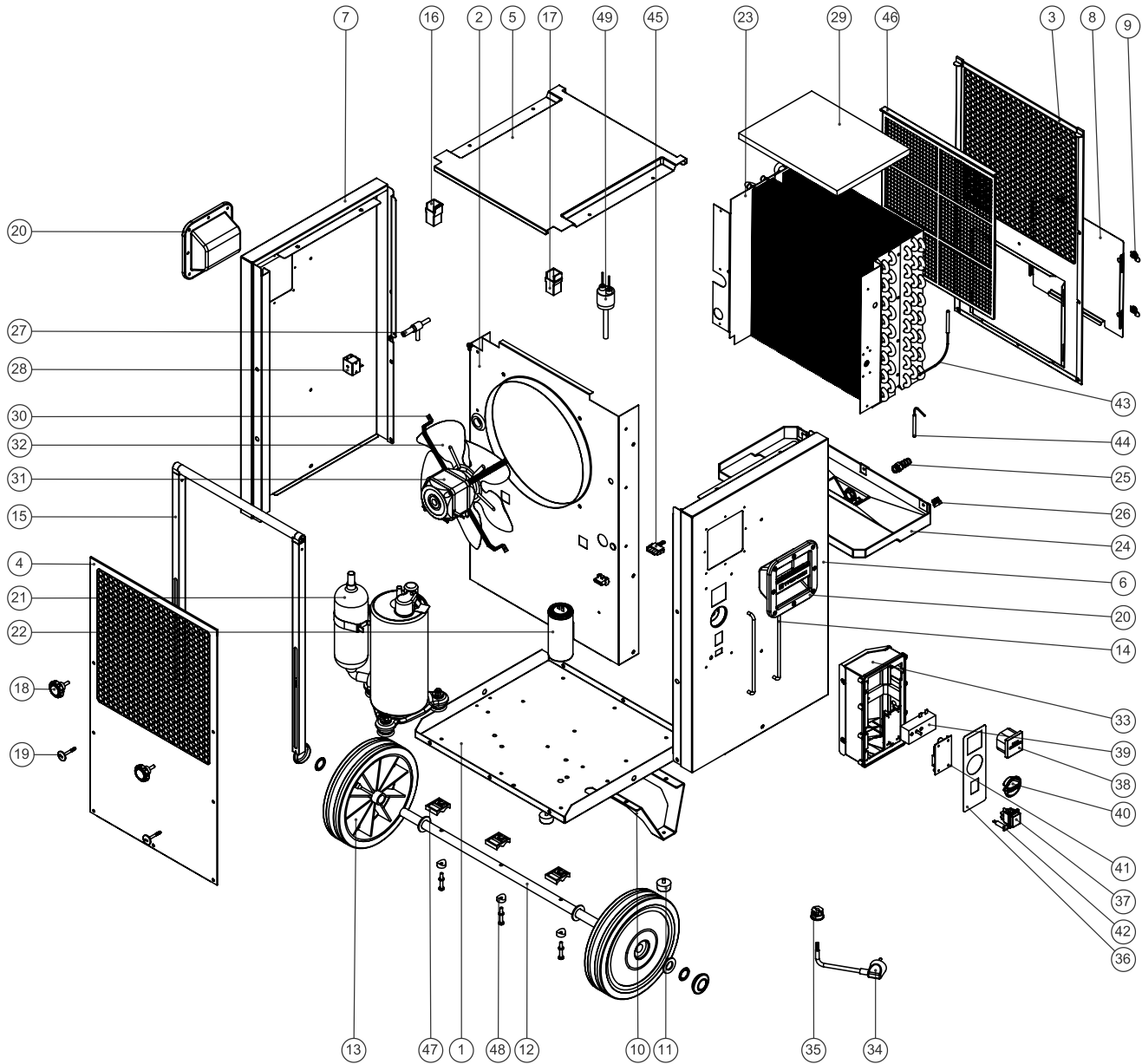
- PE – Protective earth conductor
- N – Common line
- L – Line
- S1 – On-Off switch
- S2 – Micro switch (tank presence)
- M1 – Compressor
- M2 – Fan motor
- Y – Two way valve
- RC – Running capacitor
- HE – Time + energy counter (optional)
- P – Socket (condensate pump)
- HP – High pressure switch

Exploded assembly drawing



Info

The position numbers of the spare parts differ from those describing the positions of the components mentioned in these instructions.



Spare parts list TTK 655 S

No.	Spare part	No.	Spare part	No.	Spare part
1	Base plate	18	Star type knob	35	Cable gland
2	Structural element	19	Handle security pin	36	Control's panel sticker
3	Air inlet ventilation grid	20	Plastic handle	37	Main switch
4	Air outlet ventilation grid	21	Compressor	38	Time counter
5	Top plate	22	Running capacitor	39	Hygrostat
6	Control's side panel	23	Heat exchanger	40	Humidistat knob
7	Left side panel	24	Water pan	41	Electronic controller
8	Dummy panel for optional condensates pump	25	Hose fitting	42	Electronic controller status LED
9	1/4 turn lock	26	Hidraulic Plug	43	Defrost sensor
10	Structural foot	27	Defrost valve	44	Ambient temperature sensor
11	Rubber feet	28	Defrost valve coil	45	Shunt
12	Wheels' axe	29	Ventilation insulation foam	46	Ait filter
13	Wheel	30	Fan motor brackets	47	Axle's saddle
14	Control bars protection	31	Fan motor	48	Axle's saddle spacer
15	Handle	32	Fan blade	49	Pressure switch
16	Left tubular sliding guide	33	Control's box		
17	Right tubular sliding guide	34	Power supply cable		

Disposal

Always dispose of packing materials in an environmentally friendly manner and in accordance with the applicable local disposal regulations.



The icon with the crossed-out waste bin on waste electrical or electronic equipment is taken from Directive 2012/19/EU. It states that this device must not be disposed of with the household waste at the end of its life. You will find collection points for free return of waste electrical and electronic equipment in your vicinity. The addresses can be obtained from your municipality or local administration. You can also find out about other return options that apply for many EU countries on the website <https://hub.trotec.com/?id=45090>. Otherwise, please contact an official recycling centre for electronic and electrical equipment authorised for your country.

The separate collection of waste electrical and electronic equipment aims to enable the re-use, recycling and other forms of recovery of waste equipment as well as to prevent negative effects for the environment and human health caused by the disposal of hazardous substances potentially contained in the equipment.

The device is operated with fluorinated greenhouse gas, which can be dangerous for the environment and contribute to global warming when emitted to the atmosphere.

Further information is provided on the nameplate.

Dispose of the refrigerant appropriately and according to the national regulations.

Only for United Kingdom

According to Waste Electrical and Electronic Equipment Regulations 2013 (SI 2013/3113) (as amended) devices that are no longer usable must be collected separately and disposed of in an environmentally friendly manner.

Declaration of conformity

Declaration of conformity in accordance with the EC Machinery Directive 2006/42/EC, Annex II, Part 1, Section A

We – Trotec GmbH – declare in sole responsibility that the product designated below was developed, constructed and produced in compliance with the requirements of the EC Machinery Directive in the version 2006/42/EC.

Product model / Product: TTK 655 S

Product type: dehumidifier

Year of manufacture as of: 2022

Relevant EU directives:

- 2011/65/EU
- 2012/19/EU
- 2014/30/EU
- 2015/863/EU

Applied harmonised standards:

- EN 60335-1:2012
- EN 60335-1:2012/A15:2021
- EN 60335-2-40:2003
- EN 60335-2-40:2003/A1:2006
- EN 60335-2-40:2003/A2:2009
- EN 60335-2-40:2003/A11:2004
- EN 60335-2-40:2003/A12:2005
- EN 60335-2-40:2003/A13:2012/AC:2013
- EN 60335-2-40:2003/AC:2006
- EN 60335-2-40:2003/AC:2010

Applied national standards and technical specifications:

- EN IEC 55014-1:2021
- EN IEC 55014-2:2021
- EN IEC 61000-3-2:2019
- EN IEC 61000-3-2:2019/A1:2021
- EN 60335-1:2012/A1:2019
- EN 60335-1:2012/A2:2019
- EN 60335-1:2012/A14:2019
- EN 61000-3-3:2013/A1:2019
- IEC 60335-1:2010
- IEC 60335-1:2010/A1:2013/A2:2016
- IEC 60335-2-40:2018
- IEC 61000-3-2:2018
- IEC 61000-3-2:2018/A1:2020
- IEC 61000-3-3:2013
- IEC 61000-3-3:2013/A1:2017
- IEC 61000-3-3:2013/A2:2021

Manufacturer and name of the authorised representative of the technical documentation:

Trotec GmbH

Grebbeener Straße 7, D-52525 Heinsberg

Phone: +49 2452 962-400

E-mail: info@trotec.de

Place and date of issue:

Heinsberg, 16.09.2022



Joachim Ludwig, Managing Director

Trotec GmbH

Grebener Str. 7
D-52525 Heinsberg

☎ +49 2452 962-400

☎ +49 2452 962-200

✉ info@trotec.com

www.trotec.com