

AIROZON® 28 ECO

EN

INSTRUCTIONS
OZONE GENERATOR



Table of contents

Information on the use of this instructions 2

Safety 2

Information about the device 5

Transport and storage 7

Start-up 7

Operation 8

Errors and faults 11

Maintenance 12

Technical annex 13

Disposal 16

Information on the use of this instructions

Symbols



Warning of electrical voltage

This symbol indicates dangers to the life and health of persons due to electrical voltage.



Warning

This signal word indicates a hazard with an average risk level which, if not avoided, can result in serious injury or death.



Caution

This signal word indicates a hazard with a low risk level which, if not avoided, can result in minor or moderate injury.

Note

This signal word indicates important information (e.g. material damage), but does not indicate hazards.



Info

Information marked with this symbol helps you to carry out your tasks quickly and safely.



Follow the manual

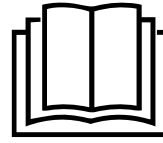
Information marked with this symbol indicates that the instructions must be observed.



Wear a protective mask

Information marked with this symbol indicates that you should wear breathing protection.

You can download the current version of the instructions and the EU declaration of conformity via the following link:



Airozon® 28 ECO



<https://hub.trotec.com/?id=44535>

Safety

Read this manual carefully before starting or using the device. Always store the manual in the immediate vicinity of the device or its site of use.



Warning

Read all safety warnings and all instructions.

Failure to follow the warnings and instructions may result in electric shock, fire and/or serious injury.

Save all warnings and instructions for future reference.

This appliance can be used by children aged from 8 years and above and persons with reduced physical, sensory or mental capabilities or lack of experience and knowledge if they have been given supervision or instruction concerning use of the appliance in a safe way and understand the hazards involved.

Children shall not play with the appliance. Cleaning and user maintenance shall not be made by children without supervision.

- Do not use the device in potentially explosive rooms or areas and do not install it there.
- Do not use the device in aggressive atmosphere.
- Do not operate the device near open fire or gas appliances.
- Only put up the device in an upright or horizontal and stable position on firm ground.
- Let the device dry out after a wet clean. Do not operate it when wet.
- Do not use the device with wet or damp hands.
- Do not expose the device to directly squirting water.
- Do not expose the device to liquids as it is not protected against splash water.
- Never insert any objects or limbs into the device.
- Do not cover the device during operation.
- Do not sit on the device.
- This appliance is not a toy. Keep away from children and animals.

- Check accessories and connection parts for possible damage prior to every use of the device. Do not use any defective devices or device parts.
- Ensure that all electric cables outside of the device are protected from damage (e.g. caused by animals). Never use the device if electric cables or the power connection are damaged!
- The mains connection must correspond to the specifications in the Technical annex.
- Insert the mains plug into a properly fused mains socket.
- Observe the technical data when selecting extensions to the power cable. Completely unroll the extension cable. Avoid electrical overload.
- Before carrying out maintenance, care or repair work on the device, remove the mains plug from the mains socket. Hold onto the mains plug while doing so.
- Switch the device off and disconnect the power cable from the mains socket when the device is not in use.
- Do not under any circumstances use the device if you detect damages on the mains plug or power cable. If the power cable is damaged, it must be replaced by the manufacturer, its service agent or similarly qualified persons in order to avoid a hazard.
Defective power cables pose a serious health risk!
- When positioning the device, observe the minimum distances from walls and other objects as well as the storage and operating conditions specified in the Technical annex.
- Make sure that the air inlet and outlet are not obstructed.
- Make sure that there are no loose items or dirt located in the immediate surroundings of air inlet and air outlet.
- Do not expose the device to heat or direct sunlight.
- Never put the device into operation whilst the cover is not completely closed.
- Never remove the panel of the control box during operation. There is a risk of an electric shock.
- Make sure that the suction side is kept free of dirt and loose objects.
- Use the CR 2032 button battery type.
- Do not insert rechargeable batteries into the remote control.
- Never charge batteries that cannot be recharged.
- Different types of batteries and new and used batteries must not be used together.
- Insert the batteries into the battery compartment according to the correct polarity.
- Remove discharged batteries from the device. Batteries contain materials hazardous to the environment. Dispose of the batteries according to the national regulations.
- Remove the batteries from the remote control if you will not be using the device for a longer period of time.
- Never short-circuit the supply terminal in the battery compartment!
- Do not swallow batteries! If a battery is swallowed, it can cause severe internal burns within 2 hours! These burns can lead to death!
- If you think batteries might have been swallowed or otherwise entered the body, seek medical attention immediately!
- Keep new and used batteries and an open battery compartment away from children.
- If the battery compartment does not close securely, stop using the product via the remote control.

Specific safety warnings for the operation of ozone generators

The device uses ozone for air purification. It is a gas that – due to its oxidative characteristics – can cause severe health damage if inhaled. Direct exposure to and intake of ozone is toxic for humans, animals and plants. For this reason the following safety measures must be observed by all means:

- Once the device has been started as well as during the cleaning process there must be neither people nor animals in the room to be cleaned. Also remove any plants.
- Leave the room immediately once the device has been started.
- After completion of the cleaning process you must wait until the ozone concentration has dropped below a value of 0.2 mg/m³ before entering the room again. Check the present concentration by means of an ozone meter available for purchase from Trotec (OZ-ONE) or in a specialist shop. Wear a respirator mask with ozone filter.
- Make sure to seal off all openings of the room to prevent ozone from escaping to the environment.
- Clearly indicate a room's ozone treatment for others and make sure that the room concerned cannot be accessed. Suitable warning signs may be obtained from Trotec.
- Ensure a sufficient supply of fresh air and/or an appropriate air exhaust in the treated rooms once the process has been completed.

Intended use

Only use the device in closed rooms whilst adhering to the technical data and safety instructions.

The device may only be used in the commercial sector and in the industry, especially

- for the professional elimination of odours after fire or water damages,
- for the sterilization of rooms (killing viruses, bacteria, mould and carcinogenic / allergenic microorganisms).

The device may only be used by especially trained expert staff.

Any use other than the intended use is regarded as misuse.

Reasonably foreseeable misuse

- Never immerse the device in water.
- Do not use the device in immediate vicinity of swimming pools, bathtubs and showers.
- Do not use the device as private individual or at home / in a domestic environment.
- Do not place any objects, e.g. clothing, on the device.
- Do not use the device out of doors.
- Do not place the device on wet or flooded ground, e.g. near floor drains.
- Do not make any unauthorised modifications, alterations or structural changes to the device.

Personnel qualifications

People who use this device must:

- have been trained in handling the device and be aware of the dangers that occur when working with the oxidising agent ozone.
- have read and understood the instructions, especially the Safety chapter.

Safety signs and labels on the device

Note

Do not remove any safety signs, stickers or labels from the device. Keep all safety signs, stickers and labels in legible condition.

The following safety signs and labels are attached to the device:

The following label is attached to the device in German and English.

Safety warnings:



Warning: High ozone concentrations can cause mucosal and respiratory diseases. Set the timer switch to OFF and air out the area after the ozone treatment. Do not remove the panel to prevent the risk of an electric shock.

Please read thoroughly: This ozone generator is only suitable for indoor use when there are no persons or animals! Close all doors and windows of the room to be treated and set the operating time. Ensure that the timer has expired before you enter the room. Now open doors and windows until the ozone smell has disappeared.

Residual risks



Warning of electrical voltage

Work on the electrical components must only be carried out by an authorised specialist company!



Warning of electrical voltage

Before any work on the device, remove the mains plug from the mains socket!
Do not touch the mains plug with wet or damp hands. Hold onto the mains plug while pulling the power cable out of the mains socket.



Warning of electrical voltage

Risk of electric shock!
Risk of an electric shock if the device comes into contact with water!
Do not use this device in the immediate vicinity of bathtubs, showers or swimming pools!



Warning of electrical voltage

Risk of electric shock!
The device is not protected against water. There is a risk of electric shock!
Never use the device in areas where dripping, spraying or running water can enter the device! Never immerse the device in water!



Warning

Dangers can occur at the device when it is used by untrained people in an unprofessional or improper way! Observe the personnel qualifications!



Warning

The device is not a toy and does not belong in the hands of children.



Warning

Risk of suffocation!

Do not leave the packaging lying around. Children may use it as a dangerous toy.



Warning

Risk of injury caused by inhalation of ozone!



The following symptoms could be indicative of poisoning or an irritation caused by ozone:

- eye irritations – conjunctivitis, stinging and watering eyes
- strong urge to cough
- shortness of breath – chest tightness
- pain while inhaling
- dizziness, light-headedness
- headache
- feeling of faintness

Exit the room to be cleaned immediately after the device has been switched on.

If there is a case of emergency and you have to enter the room to be cleaned, always wear a respiratory protective mask with an ozone filter and ensure sufficient fresh air supply. Only enter the room to be cleaned in cases of emergency whilst the air purification is in progress.

Should you experience one or more of the above symptoms relating to the use of the odour neutraliser, seek medical treatment immediately!

Note

Do not operate the device without an air filter inserted into the air inlet!

Without the air filter, the inside of the device will be heavily contaminated. This can reduce the performance and result in damage to the device.

Note

Do not use abrasive cleaners or solvents to clean the device.

Behaviour in the event of an emergency

1. In an emergency, disconnect the device from the mains feed-in: Hold onto the mains plug while pulling the power cable out of the mains socket.
2. In an emergency only enter the room to be cleaned wearing a respirator mask fitted with ozone filter and ensure a sufficient supply of fresh air.
3. Do not reconnect a defective device to the mains.

Information about the device

Device description

Ozone is a very powerful oxidising agent with the ability to eliminate bacteria, viruses, gases and toxins. The oxidising agent ozone breaks down the existing molecules. The ozone is generated by the device in an electrical discharge procedure and emitted to the room air at a high concentration. You can use the device to eliminate e.g. pathogens, but also cooking smells or musty odours as well as burnt smell. The applied method is similar to the natural air purification during a thunderstorm.

Operating principle

The ozone is generated through high-voltage discharge. The high voltage creates extremely high electric field strengths in the discharge unit. This leads to numerous brief barrier discharges between the electrodes.

The integrated fan sucks in ambient air through the air filter at the rear of the device, leads it past the ozone unit and then emits the air that now contains ozone back into the room.

No chemicals are required for the ozone generation, hence this process causes no damage to the environment. When the device has been switched off and the cleaning process has been completed, the remaining ozone in the room air will decompose into normal divalent oxygen (O₂).

Formation, perception and distribution of ozone

The word ozone has become an integral part of our vocabulary and the colourless, toxic gas is part of our everyday life. The irritant effect ozone can have on our eyes and airways has been common knowledge for a few years now, especially since the increasing ozone volume can be attributed to the so-called summer smog. Ozone is further generated during certain industrial processes.

Ozone (chemical symbol: O₃) consists of three oxygen atoms. Ozone is created wherever oxygen molecules (O₂) in the air are turned into atoms (O) due to electrical energy or UV radiation. It is these atoms that can react with the oxygen molecules to form ozone (O₃).

In case of a high solar irradiation ozone forms involving other air pollutants. The nitrogen oxides (NO_x) from automobiles, domestic heating systems, power plants and the industry play a major role in this.

Depending on the concentration, ozone can have a very intense smell similar to chlorine, hay or carnations, odours that can be smelled in mountain areas. By nature, the human nose is already vastly superior to most measuring devices: It detects the gas with a concentration of as little as 0.01 ml/m³. What this means when compared to other irritant gases is that we humans can already detect even minor quantities of ozone which gives us the opportunity to take corresponding precautions to avoid any hazard caused by the gas in due time. However, our nose also has a crucial disadvantage compared with measuring devices: the so-called *habituation effect*. After only a brief period of time spent in an ozone-polluted environment we become so acclimated to the smell that we go noseblind.

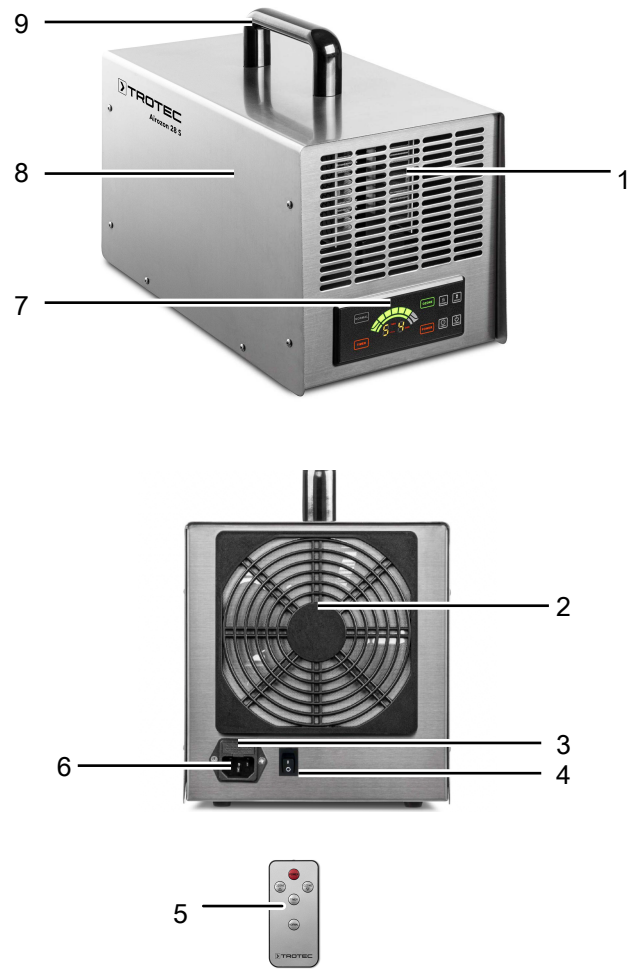
The impact of ozone on human beings

The sensitivity to ozone depends on its concentration and varies for each individual. Ozone is an oxidative irritant gas, affecting eyes, nose, pharynx and lungs even at low concentrations. The mucous membranes are unable to stop it seeing as ozone is hardly soluble in water. As a result, the gas can be carried deeper into the lungs than other irritant gases. Concentrations of 200 µg/mm³ and higher can cause the following symptoms:

- irritations of the mucous membranes, eyes and the respiratory tract
- hoarseness, coughs and headaches
- feeling of constriction behind the sternum
- reduced physical performance

The main damage is caused in the respiratory tract which can lead to breathing difficulties and a reduced respiratory volume. Late complications can include nosebleeds, a bronchitis (or tracheitis) or a pulmonary oedema. But the transition from irritations without lasting consequences to long-term changes with pathological significance is very smooth.

Device depiction



No.	Designation
1	Air outlet
2	Air inlet
3	Fuse
4	On/off switch
5	Remote control
6	Power cable connection
7	Control panel
8	Housing
9	Transport handle

Transport and storage

Note

If you store or transport the device improperly, the device may be damaged.

Note the information regarding transport and storage of the device.

Transport

Before transporting the device, observe the following:

- Switch the device off.
- Hold onto the mains plug while pulling the power cable out of the mains socket.
- If the device was previously in use, wait until the end of the calculated regeneration period (see Shutdown chapter) before transporting the device.
- Do not use the power cable to drag the device.
- During transport, protect the device against shifting and vibrations to avoid electrode damage.

After transporting the device, proceed as follows:

- Set up the device in an upright position after transport.

Storage

When the device is not being used, observe the following storage conditions:

- Store the device in a dry location and protected from frost and heat.
- If required, use a cover to protect the device from invasive dust.
- Remove the batteries from the remote control.

Start-up

Scope of delivery

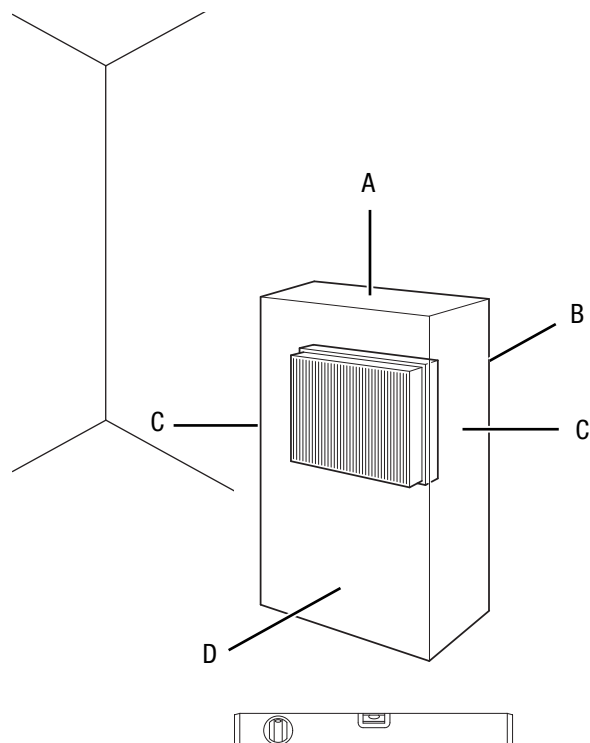
- 1 x Device
- 1 x Remote control (without battery)
- 1 x Power cable
- 1 x Manual

Unpacking the device

1. Open the cardboard box and take the device out.
2. Completely remove the packaging.
3. Fully unwind the power cable. Make sure that the power cable is not damaged and that you do not damage it during unwinding.

Start-up

When positioning the device, observe the minimum distance from walls or other objects as described in the chapter Technical annex.



- Before starting the device, check the condition of the power cable. If there are doubts as to their sound condition, contact the customer service.
- Only put up the device in an upright or horizontal and stable position on firm ground.
- Make sure the device is only placed on firm, dry and vibration-free ground.
- Position the device as close as possible to the centre of the room to ensure an optimum air circulation.

- When positioning the device, keep a sufficient distance to heat sources.
- Make sure that no curtains or other objects interfere with the air flow.
- Do not position the device near inflammable substances and gases.
- Make sure that the air inlet and outlet are not obstructed.
- Make sure that the device is protected from spray water.
- Do not create tripping hazards when laying the power cable or other electric cables, especially when positioning the device in the middle of the room. Use cable bridges.
- Make sure that extension cables are completely unrolled.
- The room temperature should be approx. 5 °C higher than the usual room temperature.

Inserting the battery into the remote control



Warning of electrical voltage

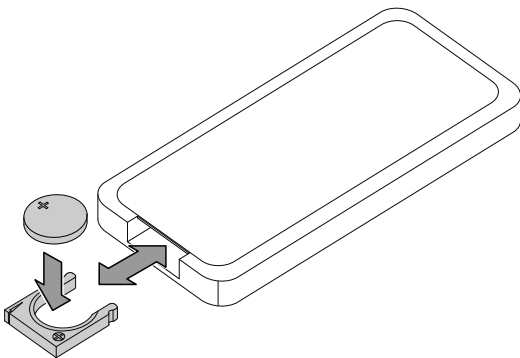
Do not touch the battery compartment with wet or damp hands.

Note

Do not use rechargeable batteries!
Observe the Technical data for start-up.

Please proceed as follows to insert or exchange the battery:

1. Press the locking at the side of the battery compartment together and pull the battery compartment out of the remote control.
2. Insert a type CR 2032 (3 V) battery into the battery compartment and slide the battery compartment back into the remote control.



Connecting the power cable

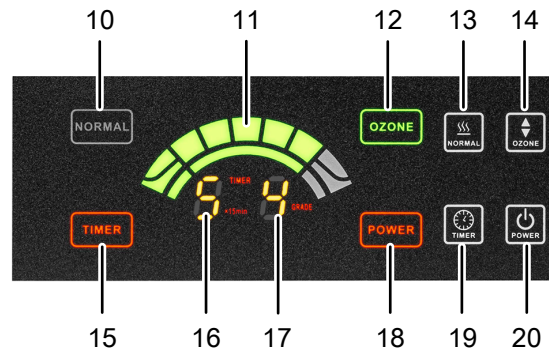
- Insert the mains plug into a properly secured mains socket located outside of the room to be cleaned. This enables you to switch the device off in case of an emergency without having to access the room.

Operation

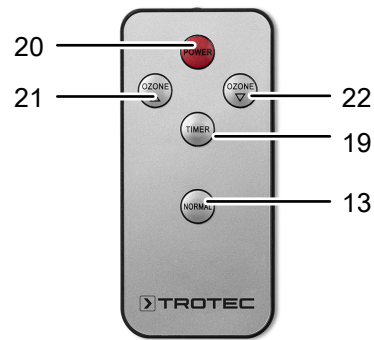
Note

Avoid open doors and windows.

Operating elements



Remote control



No.	Designation	Meaning
10	Normal LED	Is illuminated if the Normal mode is activated
11	Ozone concentration LEDs	Ozone concentration display (1–4 stages)
12	Ozone activated LED	Is illuminated when ozone output is activated
13	Normal button	Activates normal mode for 15 minutes

No.	Designation	Meaning
14	<i>Ozone</i> button	Set ozone output Press button 1 x = stage 1 (7000 mg/h) Press button 2 x = stage 2 (14000 mg/h) Press button 3 x = stage 3 (21000 mg/h) Press button 4 x = stage 4 (28000 mg/h)
15	<i>Timer</i> LED	Illuminated when the timer has been set
16	<i>Hours</i> LED	Displays time of activated timer
17	<i>Ozone stage</i> LED	Displays the current ozone concentration (1–4 stages)
18	<i>Power</i> LED	Is illuminated when the device is switched on.
19	<i>Timer</i> button	Timer setting from 0 – 135 minutes
20	<i>Power</i> button	For switching the device on or off
21	<i>Increase ozone</i> button	Press this button to increase the ozone concentration by one stage
22	<i>Decrease ozone</i> button	Press this button to decrease the ozone concentration by one stage



Warning of electrical voltage

Risk of electric shock!

The device is not protected against water.

There is a risk of electric shock!

Never use the device in areas where dripping, spraying or running water can enter the device! Never immerse the device in water!

Switching the device on



Warning

Risk of injury caused by ozone!

The device will start releasing ozone after one minute if you have activated the normal mode.

Exit the room as soon as you have switched the device on so as to prevent contact with ozone.

Note

In buildings with own cooling and heating systems, set the fan to circulation mode.

Once you have completely installed the device as described in the Start-up chapter, you can switch it on as follows:

1. Make sure that neither persons nor animals are situated in the room to be treated.
2. Set the on/off switch (4) to I to switch the device on.
⇒ A short acoustic signal is emitted. The display will remain dark at first.
3. Press the *Power* button (20) to activate the display.
⇒ The *Power* LED (18) is illuminated.

Setting the operating mode

- Normal mode

Normal mode

In normal mode, the device runs with activated ozone output at stage 2.

Please proceed as follows to set the normal mode:

1. Press the *Normal* button (13) to activate the normal mode.
⇒ The *Normal* LED (10) is illuminated.
⇒ The device releases ozone after one minute.
⇒ The device runs at stage 2 for 15 minutes.

Setting the treatment intensity

You can set the treatment intensity (stage 1–4) for cleaning the room as follows:

1. Press the *Ozone* button (14) to set the desired ozone concentration.
⇒ The *Ozone concentration* LEDs (11) are illuminated.
⇒ The *Ozone stage* LED (17) indicates the current ozone stage.

Setting the timer

Using the timer, you can set the treatment duration after which the device will automatically switch off.

1. Press the *Timer* button (19) to set a stopping time of maximally 135 minutes.
⇒ The stopping time can only be selected in increments of 15 minutes.
⇒ The *Timer* LED (15) is illuminated.
⇒ The *Hours* LED (16) is illuminated.

Carrying out odour neutralisation / air purification



Warning

Risk of injury caused by inhalation of ozone!

- The following symptoms could be indicative of poisoning or an irritation caused by ozone:
- eye irritations – conjunctivitis, stinging and watering eyes
 - strong urge to cough
 - shortness of breath – chest tightness
 - pain while inhaling
 - dizziness, light-headedness
 - headache
 - feeling of faintness

Exit the room to be cleaned immediately after the device has been switched on.

If there is a case of emergency and you have to enter the room to be cleaned, always wear a respiratory protective mask with an ozone filter and ensure sufficient fresh air supply. Only enter the room to be cleaned in cases of emergency whilst the air purification is in progress.

Should you experience one or more of the above symptoms relating to the use of the odour neutraliser, seek medical treatment immediately!

Please proceed as follows to perform an air purification:

1. Seal off all openings of the room to be cleaned. It must be accomplished in a way to prevent ozone from escaping to the environment.
2. Attach warnings that indicate the presence of high ozone concentrations and the related hazards.
3. Make sure that neither humans nor animals are situated in the room to be cleaned.
4. Position the device in the centre of the room.
5. Connect the power cable and insert the mains plug into a properly secured mains socket located outside of the room to be cleaned.
6. Set the desired treatment duration.
7. Switch the device on and select the desired operating mode.
8. Exit the room directly after having started the cleaning cycle.
 - ⇒ The cleaning cycle will start after one minute.
 - ⇒ The ozone generator will now operate until the end of the set cleaning period. Afterwards it will switch off automatically.

Operating parameters

The duration of the cleaning process can differ depending on the conditions. Factors to be taken into consideration include:

- Type of exposure
- Intensity
- Room size and temperature
- Material composition of the object to be treated
- Exposure time and depth up to which the material has been affected

If an odour elimination is carried out in an unheated room which will later be used at higher temperatures, there is a risk of subsequent evaporation. For this reason the room temperature should always be approx. 5 °C higher during the purification process as compared to the later usage temperature.

The values below are to serve as a general reference for the determination of the treatment duration:

Type of odour	Treatment duration given in min	
	Room size < 30 m ³	Room size 30 – 60 m ³
Car treatment	40	80
Animal, cooking and waste smells	40	80
Smell of burning / chemicals	80	120
Musty odour after water damage	80	120
Smell of burning and secondary effects of organic substances	80 – 350	120 – 700
Amines / amides (ureas), open-chain hydrocarbon compounds (e.g. butyric acid)	360	720
Amino acids / proteins with nitrogen and sulphur (vomit)	360	720

Please contact the Trotec customer service if you are using the device for disinfection purposes.

Switch-off



Warning

Risk of injury caused by ozone!
Have especially trained staff check the ozone concentration before entering the room and permitting others to access it.



Warning

Wear a respirator mask with ozone filter when you check whether the ozone concentration has decreased sufficiently by means of a suitable measuring device.

The device was designed to switch off automatically once the set time has elapsed. A corresponding function was integrated by way of a timer.

A certain waiting period must be observed between the device switch-off and accessing the treated room.

At the end of the waiting period the room must be aired out extensively. Open doors and windows. Take the corresponding protective measures (see Safety chapter).



Info

Within this safety period the remaining ozone decomposes (naturally) into divalent oxygen (O₂). Afterwards the ozone concentration should have fallen to below the stipulated MAC value (maximum allowable concentration) of 0.2 mg/m³. Ozone has an average half-life of approx. 30 min to 60 min. The half-life depends on various factors, e.g. on the surface to be treated in the respective room, the temperature and the relative humidity.

Shutdown



Warning of electrical voltage

Do not touch the mains plug with wet or damp hands.

1. Deactivate the display by pressing the *Power* button (20).
⇒ After the display is deactivated, the fan and one of the ozone plates inside the device will keep working for another minute in order to cool the device.
2. Set the on/off switch (4) to **0** to switch the device off.
3. Hold onto the mains plug while pulling the power cable out of the mains socket.
4. Clean the device according to the Maintenance chapter.
5. Store the device according to the Storage chapter.

Errors and faults

The device has been checked for proper functioning several times during production. If malfunctions occur nonetheless, check the device according to the following list.

The device does not start:

- Check the power connection.
- Check the power cable and mains plug for damage.
- Check the on-site fusing.
- Switch the fuse back on or have a defective fuse replaced by a specialist company.
- Wait for 10 minutes before restarting the device. If the device is not starting, have the electricians checked by a specialist company or by Trotec.

The device is very loud:

- Position the device on a dry, firm and level surface.
- Check whether the fan and its bearing for damage. If you detect any damage, have the device checked by a certified specialist workshop.

The odour nuisance persists after the completed purification process with the same intensity:

- Have the device checked by a certified specialist workshop.

The device still does not operate correctly after these checks:

Please contact the customer service. If necessary, bring the device to an authorised specialist electrical company or to Trotec for repair.

Maintenance

Activities required before starting maintenance



Warning of electrical voltage

Do not touch the mains plug with wet or damp hands.

- Make sure that the device is switched off.
- Hold onto the mains plug while pulling the power cable out of the mains socket.



Warning

Risk of injury caused by inhalation of ozone!

After the device has stopped operating, wait until the end of the calculated regeneration period (see Shutdown chapter) to make sure that the ozone concentration has fallen below the stipulated value before performing maintenance and cleaning work.

Care and maintenance must be performed on a regular basis to ensure the proper functioning and failure-free operation of the device.

The type and frequency of the maintenance tasks fundamentally depends on the operating environment as well as on the duration and type of use.

In the course of using the device, dust and moisture can accumulate in or on the components which may compromise functionality and efficiency.

In rooms with a high volume of dust and dirt or after fire damage restorations (high moisture level) you should already check the need for maintenance after only a few applications.

In dry surroundings e.g. hotels or as part of car valeting one can assume a maintenance rate of several months.

Criteria for determining the maintenance interval

Device operation takes place:

- frequently and several hours at a time
- on many days per month
- in excessively dirty surroundings
- in humid rooms

Regardless of the described operating conditions you should perform maintenance work if one or more of the following signs become apparent:

- increased noise level during operation of the fan
- heavily contaminated air filter
- dirty electrode (recognizable by: The hissing sound produced during ozone generation dies away.)

Cleaning the housing

Clean the housing with a soft, damp and lint-free cloth. Make sure that no moisture enters the housing. Protect electrical components from moisture. Do not use any aggressive cleaning agents such as cleaning sprays, solvents, alcohol-based or abrasive cleaners to dampen the cloth.

Cleaning

In addition to the inspection of the device and its components for proper condition you should also ensure thorough cleaning as part of the regular maintenance activities. To do so, please proceed as described below.

Cleaning the air filter

1. Remove the cover of the air filter.
2. Remove the air filter.
3. Clean the air filter using soapsuds.
4. Allow the air filter to dry.
5. Reinsert the air filter when dry.

Cleaning the interior

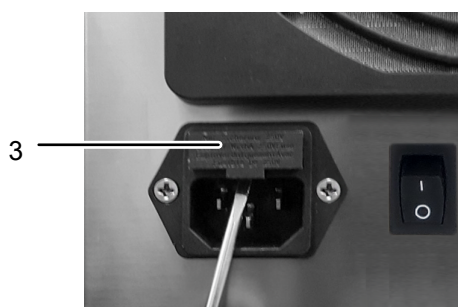
1. Remove the screws at the housing.
2. Clean the device with compressed air or a damp cloth. Do not use any solvent-containing or aggressive cleaning agents. Make sure that no water can enter or remain inside the housing.

Replacing a fuse

The fuse must be replaced once it is defective or no longer works correctly.

Please proceed as follows to replace the fuse:

1. Remove the mains plug from the device.
2. Remove the fuse holder with the fuse (3) by pulling it out of the device by means of a screwdriver.



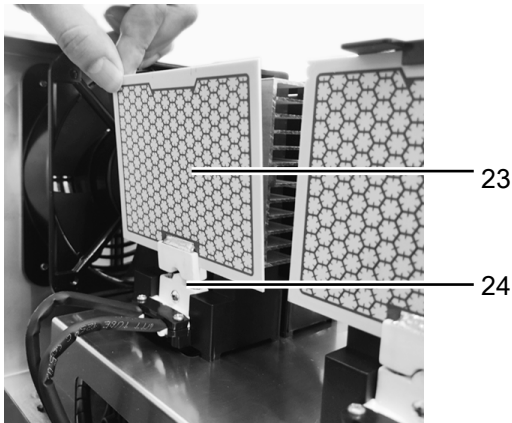
3. Dispose of the defective fuse (3) properly.
4. Insert the new fuse into the fuse holder.
5. Insert the fuse holder into the device.

Replacing the ozone plate

If the ozone plate (23) is defective, it has to be replaced.

Please proceed as follows to replace the ozone plate (23):

1. Loosen the screws at the housing (8) of the device and remove the housing.
2. Pull out the ozone plate (23) from the ozone generator (24) and dispose of the ozone plate properly.

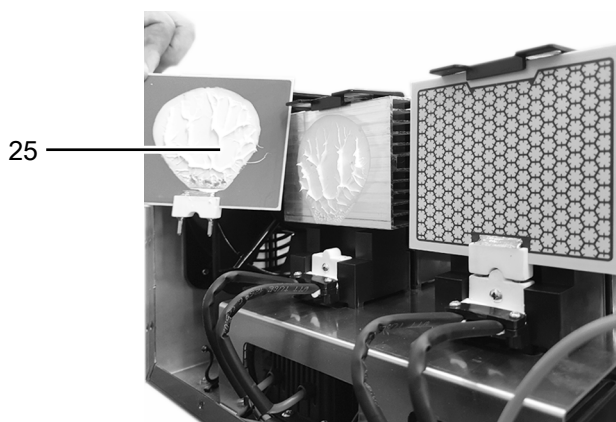


Technical annex

Technical data

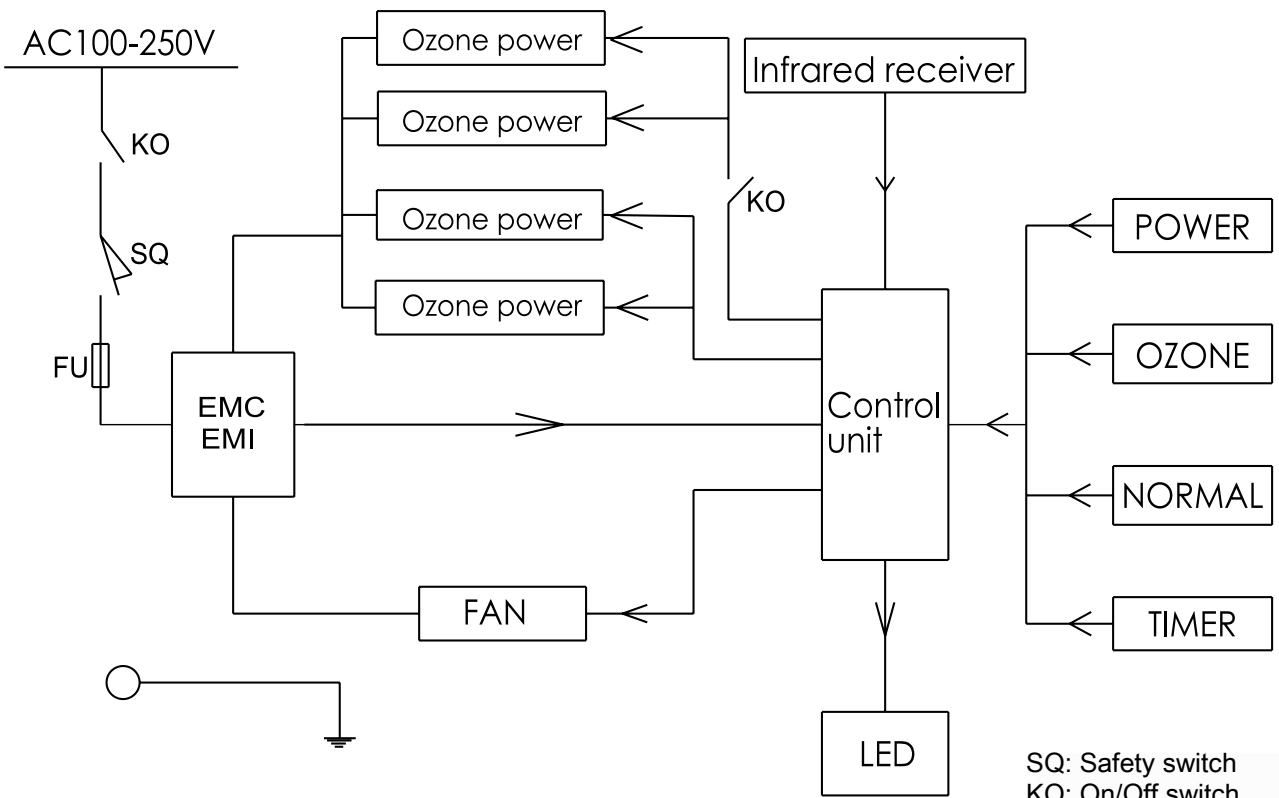
Parameter	Value
Model	Airozon® 28 ECO
Electric connection	110 - 120 V, 6 A, 50 / 60 Hz or 220 - 240 V, 3 A, 50 / 60 Hz
Frequency	50 Hz
Max. nominal current	1.5 A
Max. power input	350 W
Protection class	I / ⚡
Ozone output	7000 mg/h, 14000 mg/h, 21000 mg/h, 28000 mg/h
Air flow rate	288 m ³ /h
Sound pressure level (at a distance of 3 m)	55 dB(A)
Dimensions (depth x width x height)	380 x 202 x 282 mm
Weight	6.3 kg
Battery type	CR 2032 (3 V)
Minimum distance to walls and other objects:	
	top (A): 50 cm
	rear (B): 50 cm
	sides (C): 50 cm
	front (D): 50 cm

3. Remove the heat-conducting paste that is applied on the refrigeration unit (25).



4. Apply new heat-conducting paste on the refrigeration unit (25).
5. Insert the new ozone plate (23) and slightly press it onto the cooling plate (25).
6. Screw the housing (8) back on the ozone generator and firmly retighten the screws.

Circuit diagram

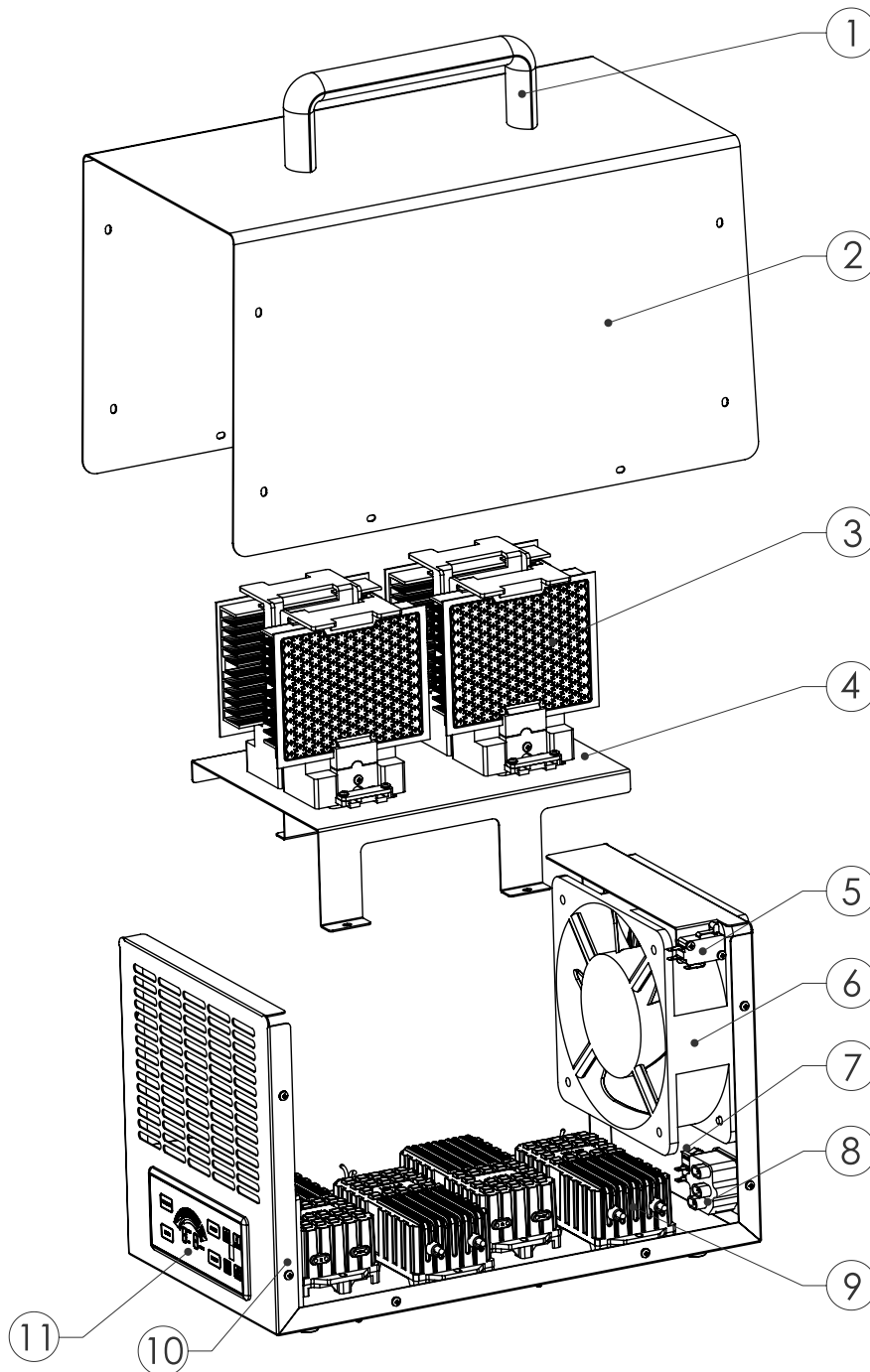


MAX : 350W

SQ: Safety switch
KO: On/Off switch

Overview and list of spare parts

Note: The position numbers of the spare parts differ from those describing the positions of the components mentioned in these instructions.



No.	Spare part	Quantity	No.	Spare part	Quantity
1	Handle	1	7	Power switch	1
2	Cover	1	8	Power seat	1
3	Ozone module	4	9	Ozone power supply	4
4	Stents	1	10	Base	1
5	Safety switch	1	11	Control module	1
6	Fan	1			

Disposal

Always dispose of packing materials in an environmentally friendly manner and in accordance with the applicable local disposal regulations.



The icon with the crossed-out waste bin on waste electrical or electronic equipment is taken from Directive 2012/19/EU. It states that this device must not be disposed of with the household waste at the end of its life. You will find collection points for free return of waste electrical and electronic equipment in your vicinity. The addresses can be obtained from your municipality or local administration. You can also find out about other return options that apply for many EU countries on the website <https://hub.trotec.com/?id=45090>. Otherwise, please contact an official recycling centre for electronic and electrical equipment authorised for your country.

The separate collection of waste electrical and electronic equipment aims to enable the re-use, recycling and other forms of recovery of waste equipment as well as to prevent negative effects for the environment and human health caused by the disposal of hazardous substances potentially contained in the equipment.



In the European Union, batteries and accumulators must not be treated as domestic waste, but must be disposed of professionally in accordance with Directive 2006/66/EC of the European Parliament and of the Council of 6 September 2006 on batteries and accumulators. Please dispose of batteries and accumulators according to the relevant legal requirements.

Only for United Kingdom

According to Waste Electrical and Electronic Equipment Regulations 2013 (SI 2013/3113) (as amended) and the Waste Batteries and Accumulators Regulations 2009 (SI 2009/890) (as amended), devices that are no longer usable must be collected separately and disposed of in an environmentally friendly manner.

Trotec GmbH

Grebener Str. 7
D-52525 Heinsberg

☎ +49 2452 962-400

☎ +49 2452 962-200

✉ info@trotec.com

www.trotec.com