

PAE 51 / PAE 51 B

EN

INSTRUCTIONS
AIR COOLER



 TROTEC

Table of contents

Information on the use of these instructions 2

Safety 2

Information about the device..... 5

Transport and storage..... 7

Assembly and start-up..... 7

Operation 11

Available accessories..... 14

Errors and faults..... 15

Maintenance 16


Technical annex..... 21


Disposal 21

Information on the use of these instructions


Symbols


 **Warning of electrical voltage**
This symbol indicates dangers to the life and health of persons due to electrical voltage.


 **Warning**
This signal word indicates a hazard with an average risk level which, if not avoided, can result in serious injury or death.


 **Caution**
This signal word indicates a hazard with a low risk level which, if not avoided, can result in minor or moderate injury.

Notice
This signal word indicates important information (e.g. material damage), but does not indicate hazards.

 **Info**
Information marked with this symbol helps you to carry out your tasks quickly and safely.

 **Follow the manual**
Information marked with this symbol indicates that the instructions must be observed.

 **Wear safety glasses**
Information marked with this symbol indicates that you should wear eye protection.

 **Wear protective gloves**
Information marked with this symbol indicates that you should wear protective gloves.

You can download the current version of the instructions and the EU declaration of conformity via the following link:



PAE 51



<https://hub.trotec.com/?id=42017>


PAE 51 B



<https://hub.trotec.com/?id=47519>

Safety

Read this manual carefully before starting or using the device. Always store the manual in the immediate vicinity of the device or its site of use.

 **Warning**
Read all safety warnings and all instructions. Failure to follow the warnings and instructions may result in electric shock, fire and/or serious injury.
Save all warnings and instructions for future reference.

This appliance can be used by children aged from 8 years and above and persons with reduced physical, sensory or mental capabilities or lack of experience and knowledge if they have been given supervision or instruction concerning use of the appliance in a safe way and understand the hazards involved.
Children shall not play with the appliance. Cleaning and user maintenance shall not be made by children without supervision.

- Do not use the device in potentially explosive rooms or areas and do not install it there.
- Do not use the device in aggressive atmosphere.
- Place the device in an upright and stable position on horizontal and stable ground.
- Let the device dry out after a wet clean. Do not operate it when wet.
- Do not use the device with wet or damp hands.
- Do not expose the device to directly squirting water.

- Do not cover the device during operation.
- Do not sit on the device.
- This appliance is not a toy. Keep away from children and animals. Do not leave the device unattended during operation.
- Occasionally observe the device during operation.
- Check accessories and connection parts for possible damage prior to every use of the device. Do not use any defective devices or device parts.
- Ensure that all electric cables outside of the device are protected from damage (e.g. caused by animals). Never use the device if electric cables or the power connection are damaged!
- The mains connection must correspond to the specifications in the Technical annex.
- Insert the mains plug into a properly fused mains socket.
- Observe the device's power input, cable length and intended use when selecting extensions to the power cable. Completely unroll extension cables. Avoid electrical overload.
- Do not under any circumstances use the device if you detect damages on the mains plug or power cable. If the power cable is damaged, it must be replaced by the manufacturer, its service agent or similarly qualified persons in order to avoid a hazard. Defective power cables pose a serious health risk!
- Before carrying out maintenance, care or repair work on the device, remove the mains plug from the mains socket. Hold onto the mains plug while doing so.
- Switch the device off and disconnect the power cable from the mains socket when the device is not in use.
- When positioning the device, observe the minimum distances from walls and other objects as well as the storage and operating conditions specified in the Technical annex.
- Make sure that the air inlet and outlet are not obstructed.
- Make sure that the suction side is kept free of dirt and loose objects.
- Never insert any objects or limbs into the device.
- Do not remove any safety signs, stickers or labels from the device. Keep all safety signs, stickers and labels in legible condition.
- Only transport the device in an upright position with an emptied water tank.
- Empty and clean the water tank prior to storage or transport. Do not drink the water. Health hazard!
- Never leave water in the water tank when the appliance is not in use.
- Make sure that objects in the surroundings of the device do not become wet or damp. If moisture is present, the output must be reduced. Set the device to a lower level. If the output cannot be reduced, the device must only be operated in intervals. If necessary, switch the device off completely for a short time. Ensure that absorbent materials such as carpeting, curtains, sheers or tablecloths will not become damp.
- Note that high humidity levels may enhance the growth of biological organisms in the environment.
- Make sure that the water in the water tank is replaced every 3 days. Otherwise there is a risk of microorganisms growing in the water tank which presents a health hazard if they get into the air or water.
- Only fill the water tank with fresh drinking water, ice cubes made of fresh drinking water and / or suitable ice packs.
- Ice packs are not toys. Keep away from children and animals.
- Never open an ice pack. The liquid inside the ice packs can be harmful to health.
- Do not eat the ice that may form on the ice packs. Health hazard!
- Do not use the device if it has been dropped or if it shows visible signs of damage.
- Only use original spare parts, for otherwise safe and functional operation cannot be ensured.
- Use the CR 2032 button battery type.
- Do not insert rechargeable batteries into the remote control.
- Never charge batteries that cannot be recharged.
- Different types of batteries and new and used batteries must not be used together.
- Insert the batteries into the battery compartment according to the correct polarity.
- Remove discharged batteries. Batteries contain materials hazardous to the environment. Dispose of the batteries according to the national regulations.
- Remove the batteries from the remote control if you will not be using the device for a longer period of time.
- Never short-circuit the supply terminal in the battery compartment!
- Do not swallow batteries! If a battery is swallowed, it can cause severe internal burns within 2 hours! These burns can lead to death!
- If you think batteries might have been swallowed or otherwise entered the body, seek medical attention immediately!
- Keep new and used batteries and an open battery compartment away from children.

- If the battery compartment does not close securely, stop using the product via the remote control.
- Switch the device off and disconnect the power cable from the mains socket before cleaning the device or before filling the water tank with water.

Intended use

Only use the device for cooling the air in interior spaces while adhering to and following the technical data.

Intended use comprises cooling the air in:

- living spaces
- museums
- warehouses and archives
- libraries
- call centres and computer rooms

Any use other than the intended use is regarded as misuse.

Reasonably foreseeable misuse

- Do not place the device on wet or flooded ground, e.g. near floor drains.
- Do not place any objects, e.g. clothing, on the device.
- Do not use the device out of doors.
- Do not use the device in the immediate vicinity of swimming pools, bathtubs and showers.
- Never immerse the device in water.
- Do not make any unauthorised modifications, alterations or structural changes to the device.

Personnel qualification

People who use this device must:

- be aware of the dangers that occur when working with electric devices in damp areas.
- have read and understood the instructions, especially the Safety chapter.



Maintenance tasks which require the housing to be opened must only be carried out by specialist electrical companies or by Trotec.

Safety signs and labels on the device

Notice

Do not remove any safety signs, stickers or labels from the device. Keep all safety signs, stickers and labels in legible condition.

The following safety signs and labels are attached to the device:

Symbols	Meaning
	This symbol located on the device indicates that the filter has to be checked and, if necessary, to be cleaned prior to each operation. Replace the filter if it is defective. Do not insert a wet filter into the device. Wait until the filter has dried.
	This symbol located on the device indicates that the water tank should be cleaned every 3 days. Change the water in the water tank every 3 days. Disconnect the device from the mains before cleaning the water tank.

This label can be found on the device in English and German.

Operate the device with the adapter supplied by the manufacturer.

Residual risks



Warning of electrical voltage

Work on the electrical components must only be carried out by an authorised specialist company!



Warning of electrical voltage

Risk of electric shock!
The device is not protected against water. There is a risk of electric shock!
Never use the device in areas where dripping, spraying or running water can enter the device! Never immerse the device in water!



Warning of electrical voltage

Risk of electric shock!
Risk of an electric shock if the device comes into contact with water!
Do not use this device in the immediate vicinity of bathtubs, showers or swimming pools!



Warning of electrical voltage

Before any work on the device, remove the mains plug from the mains socket!
Do not touch the mains plug with wet or damp hands. Hold onto the mains plug while pulling the power cable out of the mains socket.

**Warning**

The liquid inside the ice packs can be harmful to health!

If the liquid was swallowed, immediately seek medical attention.

If the liquid came into contact with your eyes, rinse with water and immediately consult an ophthalmologist.

**Warning**

Dangers can occur at the device when it is used by untrained people in an unprofessional or improper way! Observe the personnel qualifications!

**Warning**

The device is not a toy and does not belong in the hands of children.

**Warning**

Risk of suffocation!

Do not leave the packaging lying around. Children may use it as a dangerous toy.

Notice

Do not operate the device without an air filter inserted into the air inlet!

Without the air filter, the inside of the device will be heavily contaminated. This can reduce the performance and result in damage to the device.

Behaviour in the event of an emergency

1. Switch the device off.
2. Disconnect the device from the mains: Hold onto the mains plug while pulling the power cable out of the mains socket.
3. Do not reconnect a defective device to the mains.

Information about the device**Device description**

The air cooler lowers the room temperature to a comfortable degree by evaporation-based cooling.

The device is filled with cold water or optionally with ice cubes and / or ice packs in order to cool down the incoming warm air at the evaporation filter and to blow out the cold air thus generated via the fan.

Besides its cooling function, the device can also be used for air freshening: thanks to an integrated air filter and the evaporation filter's honeycomb structure, the sucked-in air is filtered and humidified.

The fan speed can be set to four stages.

The discharge direction of the cooled air can be manually adjusted via the ventilation flaps as well as via the optionally selectable automatic swing mode.

The device has a night mode enabling ultra-silent operation at bedtime.

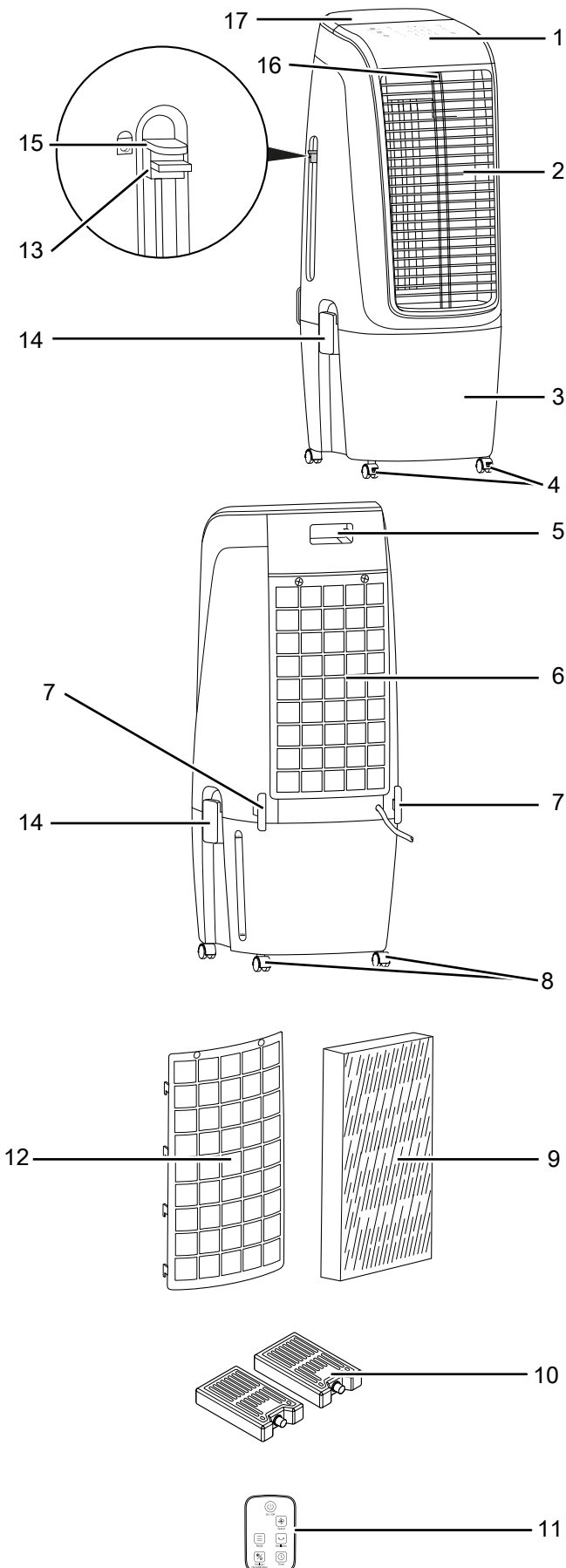
Moreover, using the timer function, the device can be switched off automatically with time delay.

The device can be operated via the control panel at the device or via the infrared remote control.

The device can be operated in an energy-efficient manner. If none of the operating elements have been actuated for a period of 60 s, the LEDs are automatically dimmed.

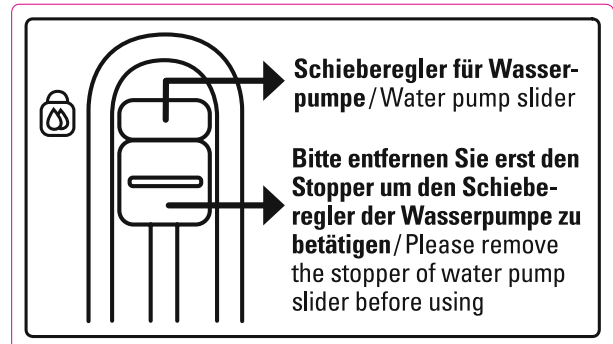
The device PAE 51 is available in white and the device PAE 51 B is available in black.

Device depiction



No.	Designation
1	Control panel
2	Air outlet with adjustable ventilation flaps and air flaps for swing function
3	Water tank with filling level indicator
4	Wheels with parking brake
5	Compartment for remote control
6	Air inlet with air filter and evaporation filter
7	Power cable holder
8	Wheels without parking brake
9	Evaporation filter
10	Ice packs
11	Remote control
12	Air filter
13	Stopper for slider
14	Locking clasp for water tank
15	Slider for pump
16	Remote control receiver
17	Water funnel

Please note the warnings on the labels attached to the device.



Transport and storage

Notice

If you store or transport the device improperly, the device may be damaged.

Note the information regarding transport and storage of the device.

Transport

To make the device easier to transport, it is fitted with wheels.

Before transporting the device, observe the following:

- Switch the device off.
- Hold onto the mains plug while pulling the power cable out of the mains socket.
- Empty the water tank.
- Do not use the power cable to drag the device.
- Release the brakes at the castors.
- Only wheel the device on firm and level surfaces.

After transporting the device, proceed as follows:

- Set up the device in an upright position after transport.

Storage

Before storing the device, proceed as follows:

- Empty and clean the water tank prior to storage (see chapter Maintenance).
- Allow the evaporation filter to dry prior to storage. Otherwise the device may distribute a musty smell after restart.
- Hold onto the mains plug while pulling the power cable out of the mains socket.

When the device is not being used, observe the following storage conditions:

- Store the device in a dry location and protected from frost and heat.
- Store the device in an upright position where it is protected from dust and direct sunlight.
- If required, use a cover to protect the device from invasive dust.
- Place no further devices or objects on top of the device to prevent it from being damaged.
- Remove the batteries from the remote control.

Assembly and start-up

Scope of delivery

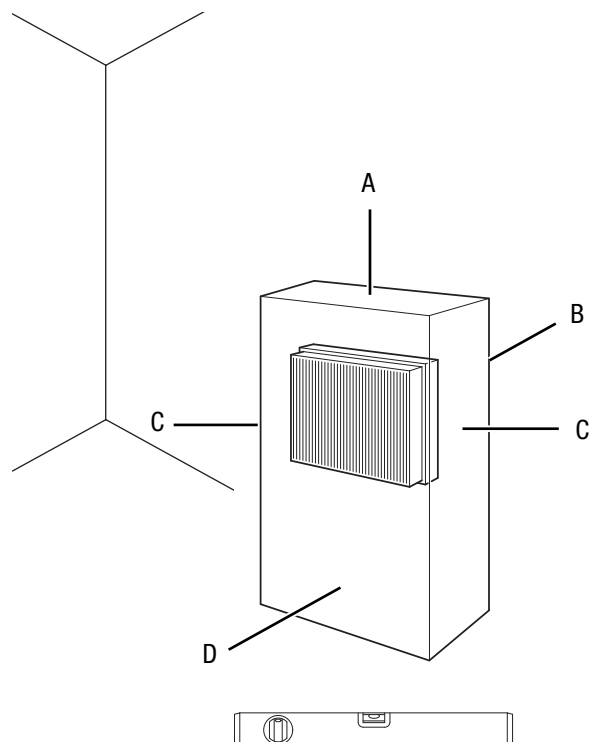
- 1 x Device
- 1 x Remote control (without batteries)
- 1 x Evaporation filter
- 1 x Air filter
- 2 x Ice pack
- 1 x Manual

Unpacking the device

1. Open the cardboard box and take the device out.
2. Completely remove the packaging.
3. Fully unwind the power cable. Make sure that the power cable is not damaged and that you do not damage it during unwinding.

Start-up

When positioning the device, observe the minimum distance from walls or other objects as described in the chapter Technical annex.



- Before restarting the device, check the condition of the power cable. If there are doubts as to the sound condition, contact the customer service.
- Place the device in an upright and stable position on horizontal and stable ground.
- Do not create tripping hazards when laying the power cable or other electric cables, especially when positioning the device in the middle of the room. Use cable bridges.

- Make sure that extension cables are completely unrolled.
- Make sure that no curtains or other objects interfere with the air flow.

Observe the following before operating the device after a period of non-use or after the device has been stored:

- Clean the housing and the water tank prior to recommissioning (see chapter Maintenance).

Inserting the battery into the remote control



Warning of electrical voltage

Do not touch the battery compartment with wet or damp hands.

Notice

Do not use rechargeable batteries!
Observe the Technical data for start-up.

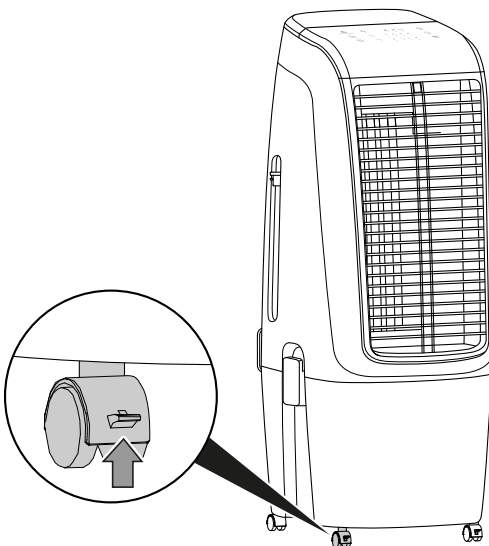
Please proceed as follows to insert or exchange the battery:

1. Press the locking at the side of the battery compartment together and pull the battery compartment out of the remote control.
2. Insert a type CR 2032 battery into the battery compartment and slide the battery compartment back into the remote control.

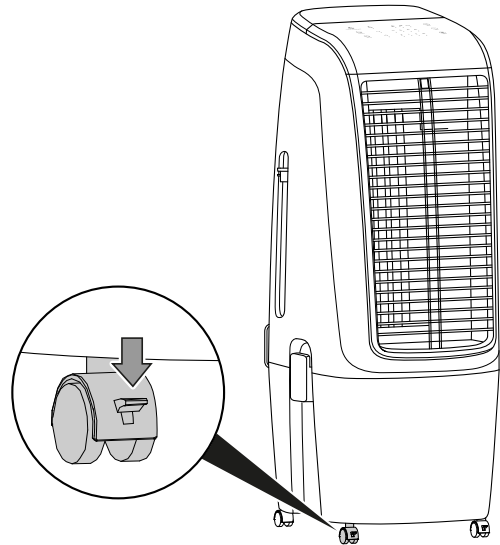
Wheels

To ensure simple transportation the device comes equipped with wheels. Moreover, two of the wheels are fitted with a parking brake to ensure a firmly fixed position. Please proceed as follows to apply or release the parking brakes:

- To facilitate easy transport, release the parking brakes.



- To ensure a firmly fixed position, apply the parking brakes.



Filling the water tank

The device requires fresh drinking water for air cooling.

Notice

Fill the device with fresh drinking water only. The water temperature must not exceed 40 °C.



Info

If possible, change the water every 3 days to prevent bacterial growth.

Observe the following when using the ice packs:

- Put the ice packs into a freezer for at least 4 hours before use.
- Put the ice packs into the water tank before filling water into the tank.

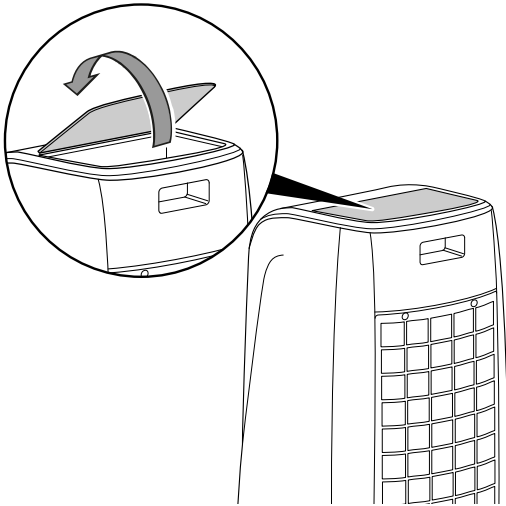


Info

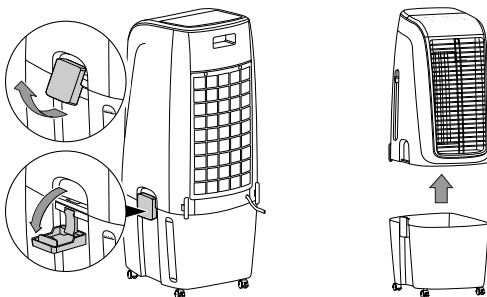
When using ice packs at high outside temperatures, condensation may form at the water tank and drip onto the floor.

1. Disconnect the device from the mains before refilling water or putting ice packs into the device.
2. There are two ways to fill water into the tank. Choose option 2 if you want to add ice cubes or ice packs for additional cooling.

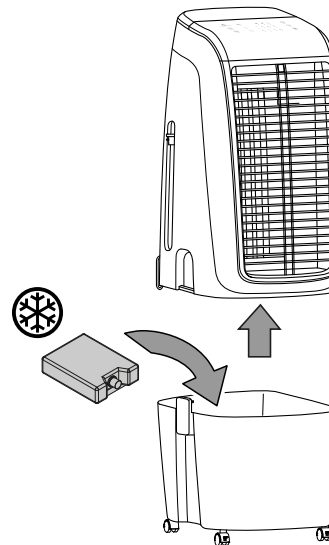
⇒ Option 1:
Open the water funnel (17).



⇒ Option 2:
Make sure that the slider (15) is secured in the upper position. Undo the locking clasps (14) and lift off the top section of the device.



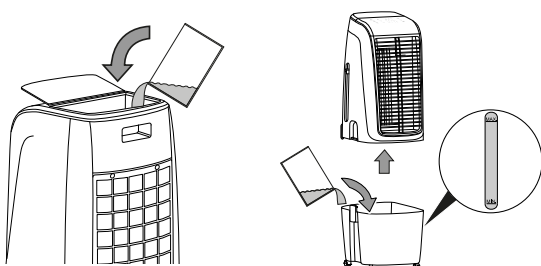
4. If required, put ice packs into the water tank (3) for additional cooling.



5. Close the flap for the water funnel (17) or put the upper section back onto the water tank and shut the locking clasps (14).
6. Make sure that the device is neither damp nor wet on the outside. Otherwise wipe it dry.

3. Fill the water tank (3) with fresh drinking water only. Optionally, you can add ice cubes made of drinking water for additional cooling.

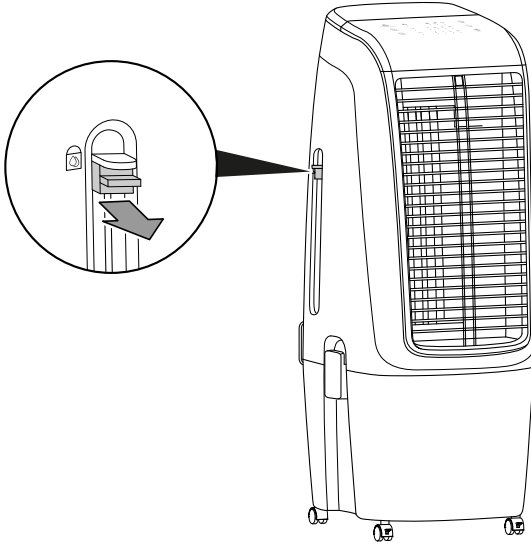
⇒ Observe the minimum and maximum filling level at the filling level indicator.
The water tank must be filled up to minimum filling level to enable pump operation.



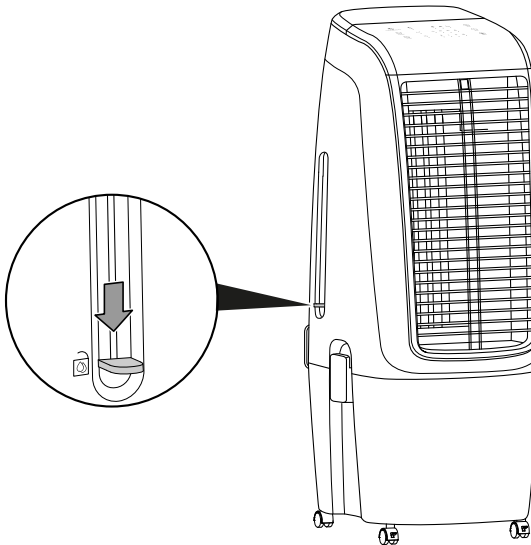
Adjusting the position of the slider

After having filled the water tank, insert the pump in the water tank in order to use the air cooling function.

1. Remove the stopper from the upper position of the slider (15) at the device.



2. Push the slider (15) down.



Notice

Always secure the slider in its upper position by means of the stopper before lifting off the top section of the device. Otherwise the pump and the mechanism might be damaged.

Inserting evaporation filter and air filter

Notice

When set to air cooling mode, the device must not be operated without the evaporation filter, otherwise *cooling* will not work.

Notice

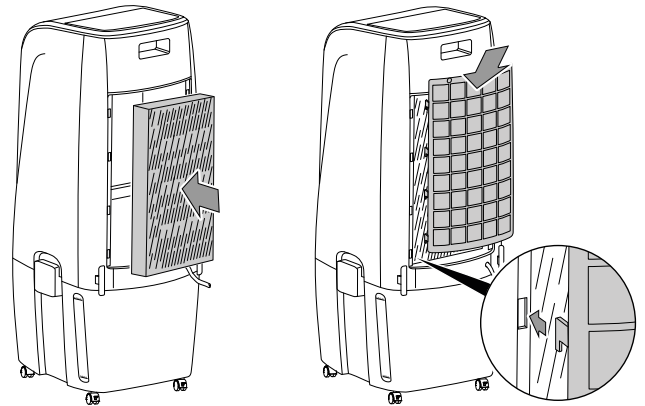
Do not operate the device without an air filter inserted into the air inlet!
Without the air filter, the inside of the device will be heavily contaminated. This can reduce the performance and result in damage to the device.



Warning

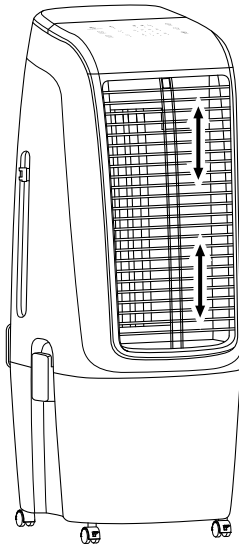
Do not reach into the device. Keep your hands away from the fan. Risk of injury upon contact with the fan.

- Make sure that both the evaporation and the air filter are installed before switching the device on.



Adjusting the ventilation flaps

- Prior to switching the device on, adjust the ventilation flaps at the air outlet.



Connecting the power cable

- Insert the mains plug into a properly fused mains socket.



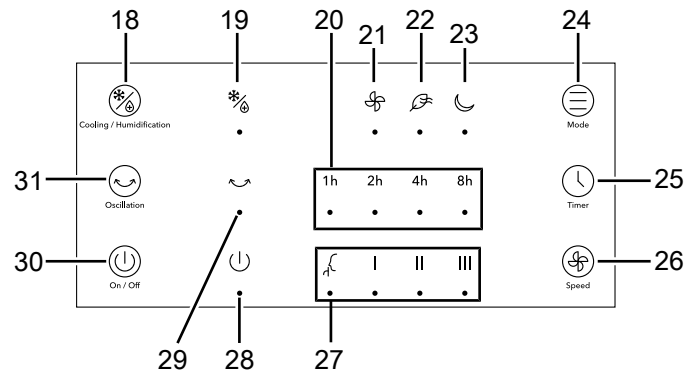
Info

An acoustic signal will be emitted; the device is now in standby mode.

Operation

- Avoid open doors and windows.

Operating elements



No.	Designation	Meaning
18	Cooling / Humidification button	Switching the <i>air cooling</i> mode on or off
19	Cooling / Humidification LED	Illuminated when <i>air cooling</i> mode is activated
20	Hours LEDs	Indication of the number of hours of the activated timer <i>1 h</i> , <i>2 h</i> , <i>4 h</i> and <i>8 h</i>
21	Ventilation LED	Illuminated when <i>ventilation</i> mode is activated
22	Air freshening LED	Illuminated when <i>air freshening</i> mode is activated
23	Night mode LED	Illuminated when night mode is activated
24	Mode button	Selection button for <i>ventilation</i> , <i>air freshening</i> and <i>night mode</i>
25	Timer button	Switching the timer on or off
26	Speed button	Setting the fan speed and the filter drying function
27	Fan stage LEDs	Fan speed indication is illuminated: Silent stage = ultra-silent operation I Stage 1 = low II Stage 2 = medium III Stage 3 = high
28	On / Off LED	Illuminated during operation
29	Oscillation LED	Illuminated when swing function is activated
30	On / Off button	Switching the device on or off
31	Oscillation button	Switching the swing function on or off

**Warning of electrical voltage**

Risk of electric shock!

The device is not protected against water.

There is a risk of electric shock!

Never use the device in areas where dripping, spraying or running water can enter the device! Never immerse the device in water!

Switching the device on

Once you have completely installed the device as described in the chapter Assembly and start-up, you can switch it on.

1. Press the *On / Off* button (30).
- ⇒ The device starts in *ventilation* mode at fan stage II.
- ⇒ The LEDs *On / Off* (28), *Ventilation* (21) and *Fan stage II* (27) are illuminated.

Setting the operating mode

The device comes with the following operating modes:

- *Air cooling*
- *Ventilation*
- *Air freshening*
- *Night mode*

Air cooling

The *air cooling* mode can be switched on in addition during all other operating modes.

During *air cooling* the pump is switched on and the water is distributed over the evaporation filter to cool the circulating air. If the water tank is empty, an acoustic signal will be emitted.

Please proceed as follows to activate *air cooling*:

1. Press the *Cooling / Humidification* button (18).
 - ⇒ The *Cooling / Humidification* LED (19) is illuminated.
 - ⇒ The pump starts.
2. Press the *Speed* button (26) to set the desired fan stage (Silent and 1 to 3).
3. Press the *Cooling / Humidification* button (18) again to switch *air cooling* off.
 - ⇒ The *Cooling / Humidification* LED (19) goes out.
 - ⇒ The device continues to run in the previously selected operating mode.

Notice

When *Air cooling* mode is activated, the air and evaporation filter must not be removed, otherwise the water from the filter will drip down into the device.

Ventilation

In *ventilation* mode, you can select all 4 fan speeds manually.

Please proceed as follows to activate *ventilation*:

1. Press the *Mode* button (24) until the *Ventilation* LED (21) is illuminated.
2. To adjust the fan stage, press the *Speed* button (26) until the LED for the desired *fan stage* (27) is illuminated.

Notice

The Silent fan stage can only be selected in *ventilation* mode, possibly combined with *air cooling*.

Air freshening

In *air freshening* mode, the fan speed increases and decreases alternately to generate a pleasant, natural air stream.

Please proceed as follows to activate *air freshening*:

1. Press the *Mode* button (24) until the *Air freshening* LED (22) is illuminated. The fan stages are automatically adjusted.

Activating night mode

In night mode, it is possible to additionally switch on *air cooling*. *Air freshening* cannot be activated.

In night mode, the device operates using a preset programme with different fan speeds to generate an air stream that is adapted to human sleeping habits.

1. Press the *Mode* button (24) until the *Night mode* LED (23) is illuminated.

Setting the timer

Using the timer function, the device can be switched off automatically after a preset number of hours.

The function can be set in all operating modes.

The number of hours can be set to 1 h, 2 h, 4 h or 8 h.

Automatic switch-off

✓ The device is switched on.

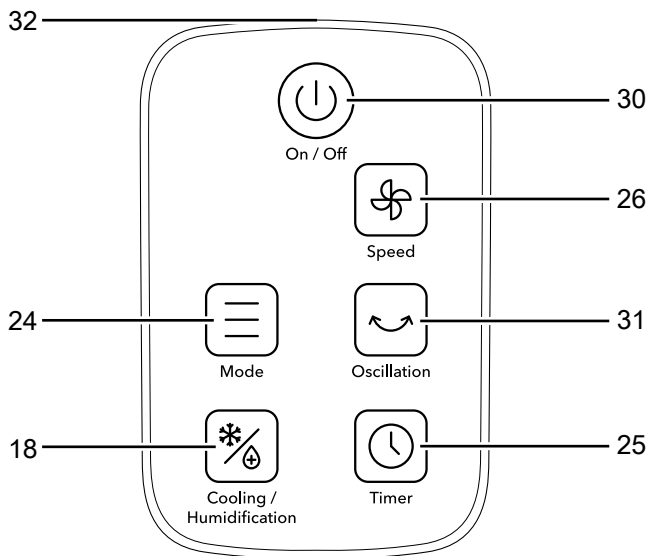
1. Press the *Timer* button (25) until the desired number of hours is displayed by the *Hours* LEDs (20).
 - ⇒ The timer setting equals the desired number of hours.
 - ⇒ The device switches off automatically after the set number of hours has elapsed.

Notes regarding automatic switch-off:

- Pressing the *On / Off* button (28) does not deactivate the automatic switch-off function.
- A power failure during operation does not deactivate the automatic switch-off function.

Remote control

All settings of the device can also be made using the remote control included in the scope of delivery.



No.	Designation	Meaning
18	Cooling / Humidification button	Switching the <i>air cooling</i> mode on or off
24	Mode button	Selection button for <i>ventilation, air freshening</i> or <i>night mode</i>
25	Timer button	Switching the timer on or off
26	Speed button	For setting the fan speed
30	On / Off button	Switching the device on or off
31	Oscillation button	Switching the swing function on or off
32	Remote control transmitter/receiver	For infrared transmission to the device

Swing function

The swing function can be switched on in any operating mode if required.

Behind the horizontal ventilation flaps, there are vertical air flaps integrated in the device. By means of the swing function, these air flaps are moved automatically and thus ensure continuous air circulation.

1. Press the *Oscillation* button (31) to switch the swing function on or off.

⇒ With activated swing function the *Oscillation* LED (29) is illuminated.

Memory function

If a power failure has occurred during operation, an acoustic warning signal will be emitted and the device will automatically be switched back on.

If you switch the device back on from standby, a perhaps previously set timer and fan stage will have been stored by the device which starts in *ventilation* mode.

Auto stop function

If the water tank is empty and *air cooling* activated, an acoustic warning signal will be emitted and the *Cooling / Humidification* LED (19) goes out.

The pump operates for 50 s. If the programme detects a water shortage that lasts for 5 s, the pump is switched off automatically. An acoustic warning signal will be emitted for 10 s.

Refilling water

An empty water tank is indicated by the device with an acoustic warning signal. In this case, the water tank must be refilled.

Observe the following when using the ice packs:

- Put the ice packs into a freezer for at least 4 hours before use.
- Put the ice packs into the water tank before filling water into the tank.

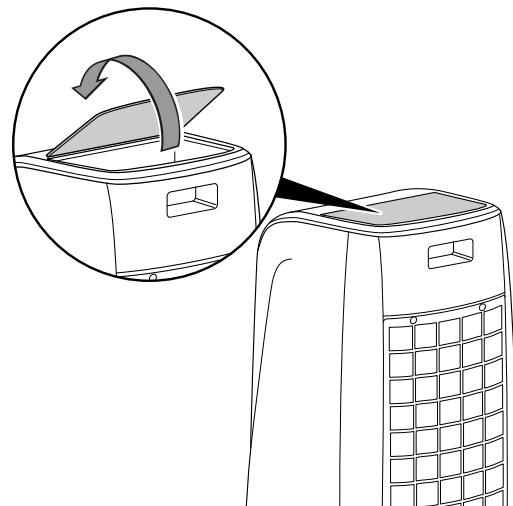


Info

When using ice packs at high outside temperatures, condensation may form at the water tank and drip onto the floor.

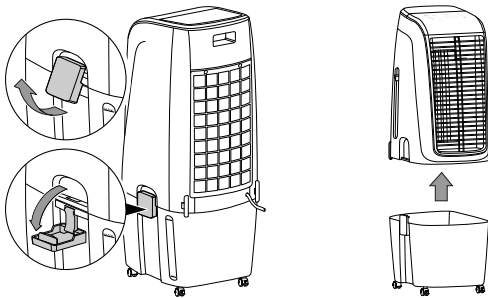
1. Disconnect the device from the mains before refilling water or putting ice packs into the device.
2. There are two ways to fill water into the tank. Choose option 2 if you want to add ice cubes or ice packs for additional cooling.

⇒ Option 1:
Open the water funnel (17).



⇒ Option 2:

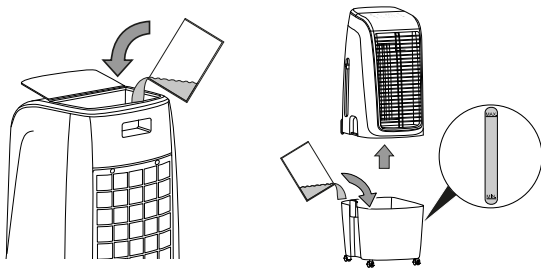
Make sure that the slider (15) is secured in the upper position. Undo the locking clasps (14) and lift off the top section of the device.



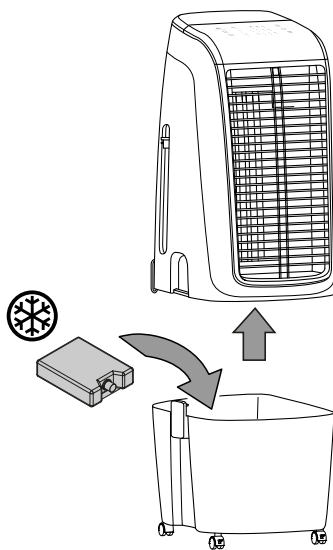
3. Fill the water tank (3) with fresh drinking water only. Optionally, you can add ice cubes made of drinking water for additional cooling.

⇒ Observe the minimum and maximum filling level at the filling level indicator.

The water tank must be filled up to minimum filling level to enable pump operation.



4. If required, put ice packs into the water tank (3) for additional cooling.



5. Close the flap for the water funnel (17) or put the upper section back onto the water tank and shut the locking clasps (14).
6. Make sure that the device is neither damp nor wet on the outside. Otherwise wipe it dry.

Filter drying function

The filter drying function can be switched on in addition as needed, e.g. for transport purposes.

The fan runs at the maximum speed and the device will be switched off after 20 minutes. No other function may be selected in this mode.

1. Press and hold the *Speed* button (26) for 3 s to activate the filter drying function.

⇒ The *Fan stage III* LED (27) flashes.

Notice

To terminate the filter drying function prematurely, switch the device off by means of the *On / Off* button (30).

Automatic switch-off function

After 15 hours of continuous operation the device switches off automatically.

Shutdown



Warning of electrical voltage

Do not touch the mains plug with wet or damp hands.

- Switch off the device.
- Hold onto the mains plug while pulling the power cable out of the mains socket.
- Empty and clean the water tank (see chapter Maintenance).
- Clean the device according to the Maintenance chapter.
- Store the device according to the Transport and storage chapter.

Available accessories



Warning

Only use accessories and additional equipment specified in the instructions. Using insertion tools or accessories other than those specified in the instructions may cause a risk of injury.

Designation	Article number
Evaporation filter PAE 51/PAE 51 B	7.710.000.860

Errors and faults

The device has been checked for proper functioning several times during production. If malfunctions occur nonetheless, check the device according to the following list.

Notice

Wait for at least 3 minutes after maintenance and repair work. Only then switch the device back on.

The device does not start:

- Check the power connection.
- Check the power cable and mains plug for damage.
- Check the on-site fusing.

The device works with reduced or no capacity:

- Check the position of the horizontal ventilation flaps. They should be opened to the maximum.
- Check the air filter for dirt. If necessary, clean or replace the air filter.
- Check the minimum distance to walls or other objects. Position the device a little more in the room's centre if required.

The device is running, but there is no air cooling or pump operation:

- Check whether *air cooling* mode is activated. The *Cooling / Humidification* LED (19) should be illuminated.
- Check the filling level of the water tank (see Filling the water tank). There must be no acoustic signal.
- Check whether there are any objects blocking the pump inlet. Make sure that the pump inlet is not blocked.
- In case the pump does not operate despite a correctly filled water tank and activated air cooling mode, the pump might be defective. Please contact the customer service.

Water is leaking:

- Check the device for leaks.
- Check the water tank for tight fit.

The swing function is not working:

- The swing function motor might be defective. Please contact the customer service.

The device is loud or vibrates:

- Check whether the device is set up in a stable and upright position.

The device does not respond to the infrared remote control:

- Check whether the distance between remote control and device is too large and reduce it if necessary.
- Make sure there are no obstacles, such as furniture or walls, between the device and the remote control. Ensure visual contact between device and remote control.
- Check the charging status of the batteries and change them if required.
- If the batteries have just been changed, check them for correct polarity.

The device still does not operate correctly after these checks:

Please contact the customer service. If necessary, bring the device to an authorised specialist electrical company or to Trotec for repair.

Maintenance

Maintenance intervals

Maintenance and care interval	before every start-up	as needed	every 3 days	at least every 2 weeks	at least every 4 weeks	at least annually
Clean the water tank			X			
Check air inlets and outlets for dirt and foreign objects and clean if necessary	X				X	
Clean the exterior		X				X
Visually check the inside of the device for dirt		X				X
Check the air filter for dirt and foreign objects and clean if necessary	X			X		
Replacing the evaporation filter		X				
Check for damage	X					
Check the attachment screws		X				X
Test run						X

Maintenance and care log

Device type:

Device number:

Maintenance and care interval	1	2	3	4	5	6	7	8	9	10	11	12	13	14	15	16
Clean the water tank																
Check air inlets and outlets for dirt and foreign objects and clean if necessary																
Clean the exterior																
Visually check the inside of the device for dirt																
Check the air filter for dirt and foreign objects and clean if necessary																
Replacing the evaporation filter																
Check for damage																
Check attachment screws																
Test run																
Remarks:																

1. Date:	2. Date:	3. Date:	4. Date:
Signature:	Signature:	Signature:	Signature:
5. Date:	6. Date:	7. Date:	8. Date:
Signature:	Signature:	Signature:	Signature:
9. Date:	10. Date:	11. Date:	12. Date:
Signature:	Signature:	Signature:	Signature:
13. Date:	14. Date:	15. Date:	16. Date:
Signature:	Signature:	Signature:	Signature:

Activities required before starting maintenance



Warning of electrical voltage

Do not touch the mains plug with wet or damp hands.

- Switch the device off.
- Hold onto the mains plug while pulling the power cable out of the mains socket.

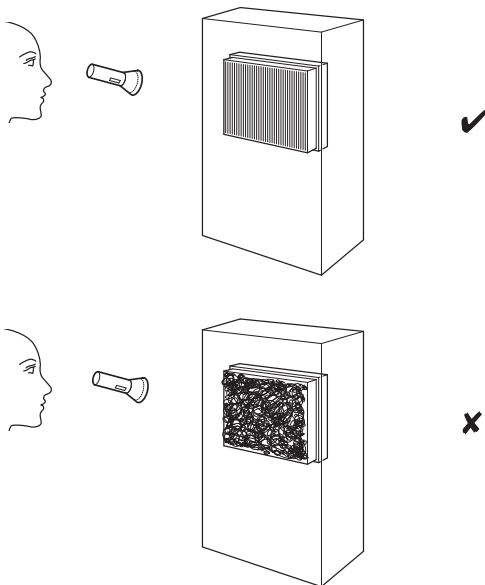


Warning of electrical voltage

Tasks which require the device to be opened must only be carried out by authorised specialist companies or by Trotec.

Visual inspection of the inside of the device for dirt

1. Remove the air filter.
2. Use a torch to illuminate the openings of the device.
3. Check the inside of the device for dirt.
4. If you see a thick layer of dust, have the inside of the device cleaned by a specialist electrical company or by Trotec.
5. Put the air filter back in.



Cleaning the housing

Clean the housing with a soft, damp and lint-free cloth. Make sure that no moisture enters the housing. Protect electrical components from moisture. Do not use any aggressive cleaning agents such as cleaning sprays, solvents, alcohol-based or abrasive cleaners to dampen the cloth.

Cleaning the water tank



Warning

Use citric acid as cleaning/descaling agent for the water tank. Always wear gloves and protection glasses when cleaning the device since the acid may have caustic effects. Additionally, please observe the manufacturer's specifications and hazard warnings for citric acid.

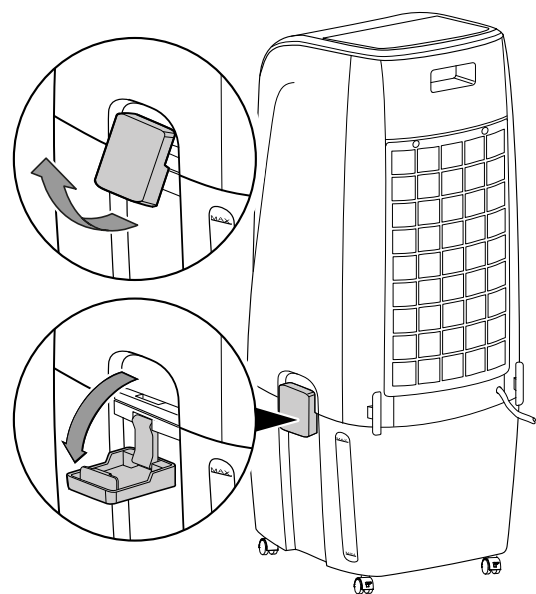


Notice

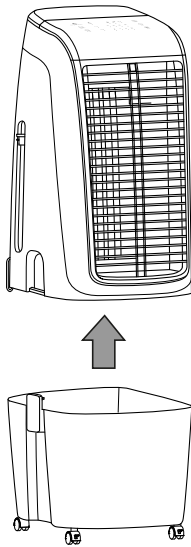
Clean the device with citric acid if you detect visible signs of limescale. To clean the device, heat it to max. 40 °C. Otherwise, the formation of citrate may cause damages to the device.

The water tank should be cleaned every 3 days if actively used. Empty and clean the water tank before a longer period of non-use or storage and prior to recommissioning (e.g. if the unit has been stored for several months and is dusty).

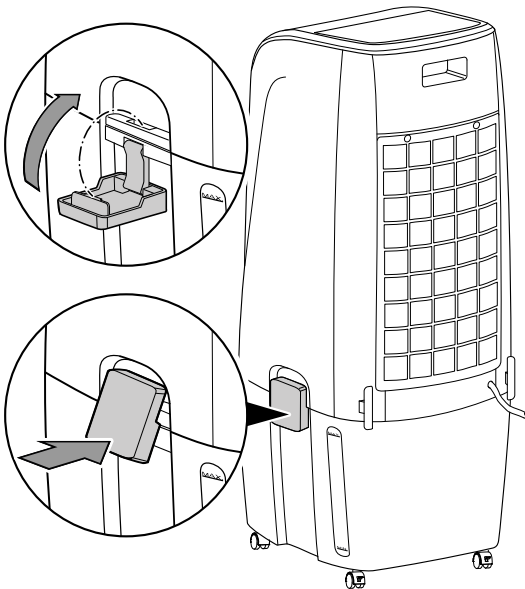
1. Make sure that the slider (15) is secured in the upper position.
2. Open the locking clasps (14) at the device.



- Lift off the top section of the device.



- Thoroughly rinse the water tank with citric acid (descaling agent). Allow the citric acid to work for max. 20 minutes.
- Then rinse the inside of the device with water.
- Dry the inside of the tank with a lint-free cloth.
- Fill the water tank with fresh drinking water if you want to continue operation (see chapter Adding water).
- Put the upper section of the device back onto the water tank.
- Close the locking clasps at the device.



Cleaning the air filter

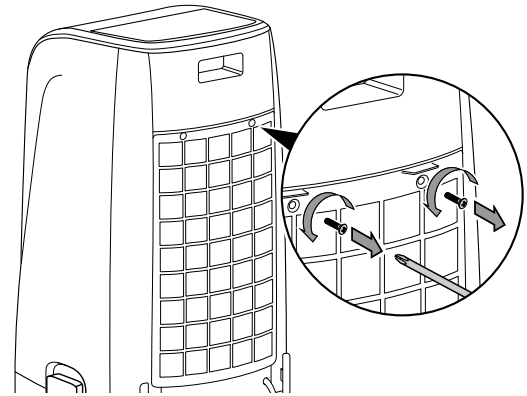
The air filter has to be cleaned as soon as it is dirty. This is brought to light e.g. by a reduced capacity (see chapter Errors and faults).



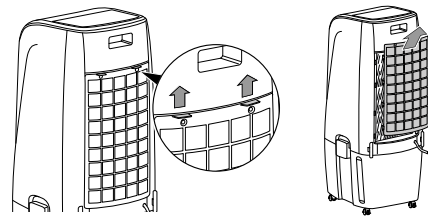
Warning

Ensure that the air filter is not worn or damaged. The corners and edges of the air filter must not be deformed or rounded. Before reinserting the air filter, make sure that it is undamaged and dry!

- Loosen the screw at the air filter.

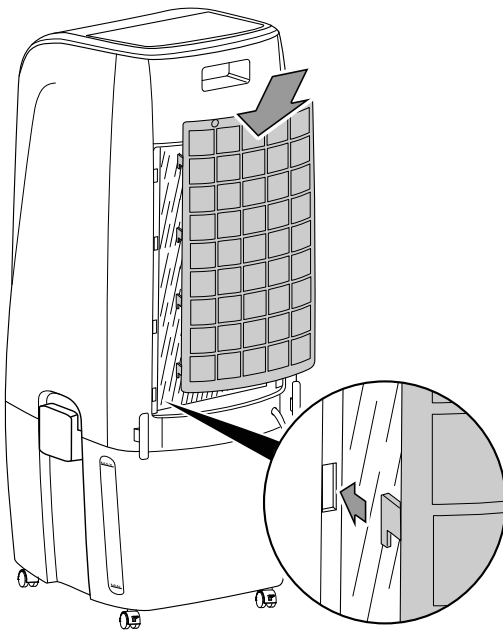


- Remove the air filter from the device.

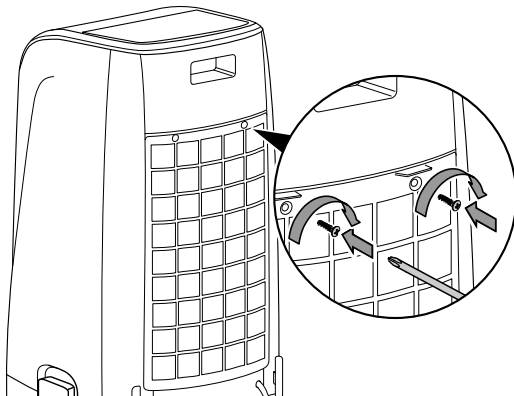


- Clean the filter using a slightly damp, soft, lint-free cloth. If the filter is heavily contaminated, clean it with warm water mixed with a neutral cleaning agent.
- Allow the filter to dry completely. Do not insert a wet filter into the device!

5. Reinsert the air filter into the device.



6. Reattach the screw to the device.



Replacing the evaporation filter



Warning

Do not reach into the device. Keep your hands away from the fan. Risk of injury upon contact with the fan.

Notice

When set to air cooling mode, the device must not be operated without the evaporation filter, otherwise *cooling* will not work.

Notice

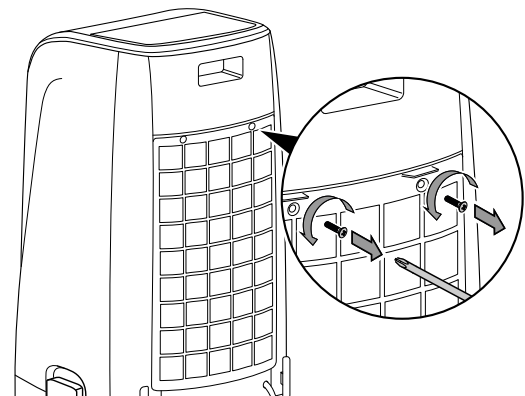
Do not operate the device without an inserted air filter! Without the air filter, the inside of the device will be heavily contaminated. This could reduce the performance and result in damage to the device.

The evaporation filter should be replaced in case of heavy soiling.

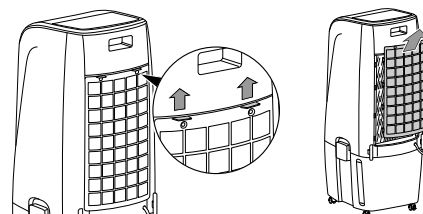
In standard operation, the interval for replacing the evaporation filter is approx. 1 year.

Allow the evaporation filter to dry before removing it from the device.

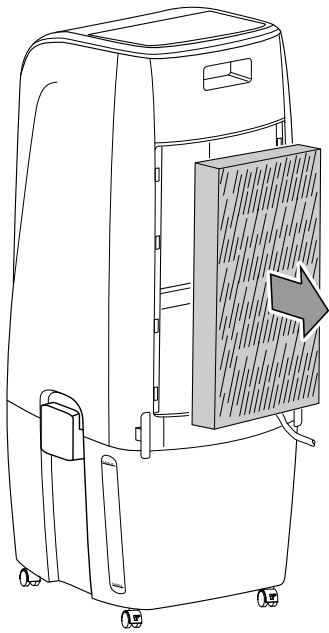
1. Loosen the screw at the air filter.



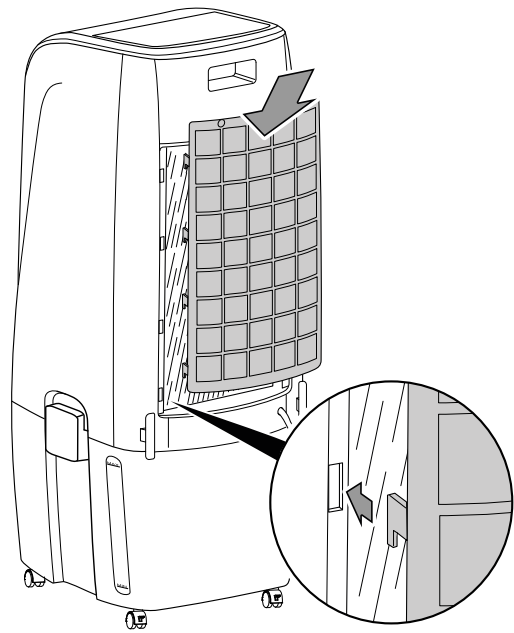
2. Remove the air filter from the device.



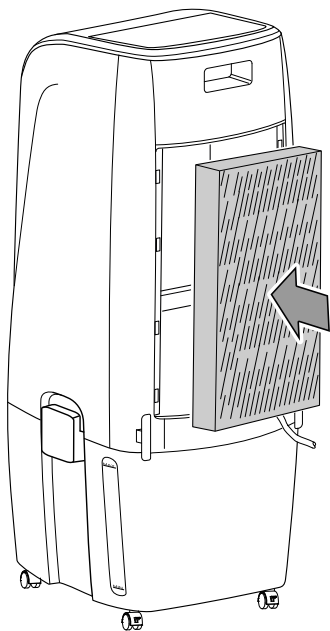
3. Remove the evaporation filter from the device.



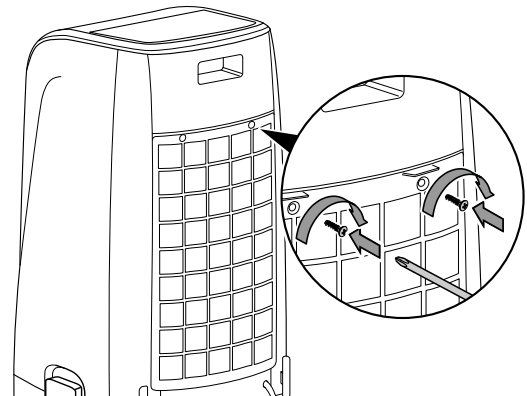
6. Reinsert the air filter into the device.



4. Dispose of used evaporation filters according to the national regulations.
5. Insert the new evaporation filter into the device.



7. Reattach the screw to the device.



Activities required after maintenance

If you want to continue using the device:

- Reconnect the device to the mains.

If you do not intend to use the device for a considerable time:

- Store the device according to the Transport and storage chapter.

Technical annex

Technical data

Parameter	Value
Model	PAE 51/PAE 51 B
Evaporation capacity	2000 ml/h
Air flow rate	661 m ³ /h
Mains connection	220–240 V / 50 Hz
Nominal current consumption	0.48 A
Power consumption	110 W
Sound pressure level (1 m distance)	60 dB(A)
Water tank capacity	20 l
Weight	8 kg
Dimensions (length x width x height)	390 x 342 x 897 mm
Minimum distance to walls and other objects:	
top (A):	100 cm
rear (B):	100 cm
sides (C):	100 cm
front (D):	100 cm
Remote control batteries	CR2032 - 3 V

Disposal

Always dispose of packing materials in an environmentally friendly manner and in accordance with the applicable local disposal regulations.



The icon with the crossed-out waste bin on waste electrical or electronic equipment is taken from Directive 2012/19/EU. It states that this device must not be disposed of with the household waste at the end of its life. You will find collection points for free return of waste electrical and electronic equipment in your vicinity. The addresses can be obtained from your municipality or local administration. You can also find out about other return options that apply for many EU countries on the website <https://hub.trotec.com/?id=45090>. Otherwise, please contact an official recycling centre for electronic and electrical equipment authorised for your country.

The separate collection of waste electrical and electronic equipment aims to enable the re-use, recycling and other forms of recovery of waste equipment as well as to prevent negative effects for the environment and human health caused by the disposal of hazardous substances potentially contained in the equipment.



In the European Union, batteries and accumulators must not be treated as domestic waste, but must be disposed of professionally in accordance with Directive 2006/66/EC of the European Parliament and of the Council of 6 September 2006 on batteries and accumulators. Please dispose of batteries and accumulators according to the relevant legal requirements.

Only for United Kingdom

According to Waste Electrical and Electronic Equipment Regulations 2013 (SI 2013/3113) (as amended) and the Waste Batteries and Accumulators Regulations 2009 (SI 2009/890) (as amended), devices that are no longer usable must be collected separately and disposed of in an environmentally friendly manner.

Trotec GmbH

Grebener Str. 7
D-52525 Heinsberg

☎ +49 2452 962-400

☎ +49 2452 962-200

✉ info@trotec.com

www.trotec.com