

HYSTREAM 2100

EN

OPERATING MANUAL
HEAT GUN



Table of contents

Notes regarding the operating manual..... 2

Safety 3

Information about the device..... 6

Transport and storage..... 8

Start-up..... 9

Operation 9


Errors and faults..... 12


Maintenance 13


Disposal 13


Notes regarding the operating manual


Symbols


 **Warning of electrical voltage**
This symbol indicates dangers to the life and health of persons due to electrical voltage.

 **Warning of explosive substances**
This symbol indicates dangers to the life and health of persons due to potentially explosive substances.


 **Warning of flammable substances**
This symbol indicates dangers to the life and health of persons due to flammable substances.


 **Warning of hot surface**
This symbol indicates dangers to the life and health of persons due to hot surface.


 **Warning**
This signal word indicates a hazard with an average risk level which, if not avoided, can result in serious injury or death.


 **Caution**
This signal word indicates a hazard with a low risk level which, if not avoided, can result in minor or moderate injury.


Note
This signal word indicates important information (e.g. material damage), but does not indicate hazards.

 **Info**
Information marked with this symbol helps you to carry out your tasks quickly and safely.

 **Follow the manual**
Information marked with this symbol indicates that the operating manual must be observed.

 **Wear safety glasses**
Information marked with this symbol indicates that you should wear eye protection.

 **Wear a protective mask**
Information marked with this symbol indicates that you should wear a protective mask.

 **Wear protective clothing**
Information marked with this symbol indicates that you should wear protective clothing.

 **Wear protective gloves**
Information marked with this symbol indicates that you should wear protective gloves.

You can download the current version of the operating manual and the EU declaration of conformity via the following link:



HyStream 2100



<https://hub.trotec.com/?id=40206>

Safety

General Power Tool Safety Warnings



Warning

Read all safety warnings, instructions, illustrations and specifications provided with this power tool.

Failure to follow all instructions listed below may result in electric shock, fire and/or serious injury.

Save all warnings and instructions for future reference.

This appliance can be used by children aged from 8 years and above and persons with reduced physical, sensory or mental capabilities or lack of experience and knowledge if they have been given supervision or instruction concerning use of the appliance in a safe way and understand the hazards involved.

The term *power tool* in the warnings refers to your mains-operated (corded) power tool or battery-operated (cordless) power tool.



General Power Tool Safety Warnings – Work area safety

- **Keep work area clean and well lit.** Clutter or dark areas invite accidents.
- **Do not operate power tools in explosive atmosphere, such as in the presence of flammable liquids, gases or dust.** Power tools create sparks which may ignite the dust or fumes.
- **Keep children and bystanders away while operating a power tool.** Distractions can cause you to lose control.



General Power Tool Safety Warnings – Electrical safety

- **Power tool plugs must match the outlet. Never modify the plug in any way. Do not use any adapter plugs with earthed (grounded) power tools.** Unmodified plugs and matching outlets will reduce risk of electric shock.
- **Avoid body contact with earthed or grounded surfaces, such as pipes, radiators, ranges and refrigerators.** There is an increased risk of electric shock if your body is earthed or grounded.
- **Do not expose power tools to rain or wet conditions.** Water entering a power tool will increase the risk of electric shock.
- **Do not abuse the cord. Never use the cord for carrying, pulling or unplugging the power tool. Keep cord away from heat, oil, sharp edges or moving parts.** Damaged or entangled cords increase the risk of electric shock.
- **When operating a power tool outdoors, use an extension cord suitable for outdoor use.** Use of a cord suitable for outdoor use reduces the risk of electric shock.

- **If operating a power tool in a damp location is unavoidable, use a residual current device (RCD) protected supply.** Use of an RCD reduces the risk of electric shock.



General Power Tool Safety Warnings – Personal safety

- **Stay alert, watch what you are doing and use common sense when operating a power tool. Do not use a power tool while you are tired or under the influence of drugs, alcohol or medication.** A moment of inattention while operating power tools may result in serious personal injury.



Use personal protective equipment. Always wear eye protection.

Protective equipment such as a dust mask, non-skid safety shoes, hard hat or hearing protection used for appropriate conditions will reduce personal injuries.



- **Prevent unintentional starting. Ensure the switch is in the off-position before connecting to power source and/or battery pack, picking up or carrying the tool.** Carrying power tools with your finger on the switch or energising power tools that have the switch on invites accidents.
- **Remove any adjusting key or wrench before turning the power tool on.** A wrench or a key left attached to a rotating part of the power tool may result in personal injury.
- **Do not overreach. Keep proper footing and balance at all times.** This enables better control of the power tool in unexpected situation.
- **Dress properly. Do not wear loose clothing or jewellery. Keep your hair and clothing away from moving parts.** Loose clothes, jewellery or long hair can be caught in moving parts.
- **If devices are provided for the connection of dust extraction and collection facilities, ensure these are connected and properly used.** Use of dust collection can reduce dust-related hazards.
- **Do not let familiarity gained from frequent use of tools allow you to become complacent and ignore tool safety principles.** A careless action can cause severe injury within a fraction of a second.



General Power Tool Safety Warnings – Power tool use and care

- **Do not force the power tool. Use the correct power tool for your application.** The correct power tool will do the job better and safer at the rate for which it was designed.
- **Do not use the power tool if the switch does not turn it on and off.** Any power tool that cannot be controlled with the switch is dangerous and must be repaired.
- **Disconnect the plug from the power source and/or remove the battery pack, if detachable, from the power tool before making any adjustments, changing accessories, or storing power tools.** Such preventive safety measures reduce the risk of starting the power tool accidentally.
- **Store idle power tools out of the reach of children and do not allow persons unfamiliar with the power tool or these instructions to operate the power tool.** Power tools are dangerous in the hands of untrained users.
- **Maintain power tools and accessories. Check for misalignment or binding of moving parts, breakage of parts and any other condition that may affect the power tool's operation. If damaged, have the power tool repaired before use.** Many accidents are caused by poorly maintained power tools.
- **Keep cutting tools sharp and clean.** Properly maintained cutting tools with sharp cutting edges are less likely to bind and are easier to control.
- **Use the power tool, accessories and tool bits etc. in accordance with these instructions, taking into account the working conditions and the work to be performed.** Use of the power tool for operations different from those intended could result in a hazardous situation.
- **Keep handles and grasping surfaces dry, clean and free from oil and grease.** Slippery handles and grasping surfaces do not allow for safe handling and control of the tool in unexpected situations.



General Power Tool Safety Warnings – Service

- **Have your power tool serviced by a qualified repair person using only identical replacement parts.** This will ensure that the safety of the power tool is maintained.



Device-specific safety warnings for heat guns

- Negligent handling of the device may result in a fire.
 - Proceed with caution when using the power tool near combustible materials.
 - Do not point the device at the same spot over a longer period of time.
 - Do not use the device in a potentially explosive atmosphere.
 - The heat can reach combustible materials which are covered.
 - After use put down the power tool in an upright position on the provided stand with the air outlet pointing upward.
 - Do not leave the power tool unattended while in operation.
- Do not look directly into the nozzle opening at the air outlet.
- Never direct the hot air current at people or animals.
- Never direct the hot air directly at a window or other glass surfaces.
- Never obstruct the hot air current by blocking or covering the air outlet.
- Do not use the power tool in wet surroundings or in areas with an increased humidity level.
- Do not use the suspension eye on the power cable as transport aid.
- Keep a sufficient distance between the air outlet and the workpiece or the surface to be processed. An accumulation of air can lead to overheating of the power tool.
- Allow the power tool to cool down sufficiently before storing it away. The power tool, especially the air outlet, is still very hot and can thus cause damage.

Intended use

The device was developed for the purpose of generating hot air and may only be used whilst adhering to the technical data.

Only use the device

- to remove flooring
- to shrink foils and shrinking hoses
- to dry incombustible paints and varnishes, damp objects or grounds
- to remove incombustible paints and varnishes
- to bend and heat-seal plastics
- to melt and thaw incombustible parts
- for soldering and tin-coating
- for dissolving adhesive bonds
- ONLY with barbecue lighter nozzle: to light a barbecue

We recommend using the power tool with original Trotec accessories.

Foreseeable misuse

- The device is not intended to be used as a hairdryer.
- The device is not intended for drying clothing.
- The device is not intended to be used in combination with chemical removers or solvents.
- The device is not intended to be used for preparing food.

Any other use than the one described in the chapter "Intended use" is regarded as reasonably foreseeable misuse.

Personnel qualifications

People who use this device must:

- have read and understood the operating manual, especially the Safety chapter.

Personal protective equipment



Wear eye protection.

With it you protect your eyes from splintering, falling and flying pieces which could cause injuries.



Wear a protective mask.

It saves you from inhaling harmful dusts generated when processing workpieces.



Wear protective gloves.

They protect your hands from burns, crushing injuries and skin abrasions.



Wear tight-fitting protective clothing.

This prevents your clothes from being exposed to the hot air current and possibly catching fire.

Residual risks



Warning of electrical voltage

Electric shock from insufficient insulation.

Check the device for damages and proper functioning before each use.

If you notice damages, no longer use the device.

Do not use the device when the device or your hands are damp or wet!



Warning of electrical voltage

Work on the electrical components must only be carried out by an authorised specialist company!



Warning of electrical voltage

Before any work on the device, remove the mains plug from the mains socket!

Do not touch the mains plug with wet or damp hands.

Hold onto the mains plug while pulling the power cable out of the mains socket.



Warning of electrical voltage

There is a risk of a short-circuit due to liquids penetrating the housing!

Do not immerse the device and the accessories in water. Make sure that no water or other liquids can enter the housing.



Warning of explosive substances

The hot air may reach combustible parts or similar located out of sight.

Make sure that there are no highly flammable gases, liquids or dusts present in the direct work area or the surroundings.

Fire and explosion hazard!



Warning of hot surface

Some parts of this product can become very hot and cause burns. Particular attention has to be given where children and vulnerable people are present!



Warning of hot surface

The insertion tool might still be hot after the application. Burn hazard when touching the insertion tool.

Do not touch the insertion tool bare-handed!

Wear protective gloves!



Warning

Toxic vapours!



During operation gases and vapours are produced which can be harmful to health.



Wear eye protection and a protective mask!

Always ensure sufficient ventilation.

**Warning**

Do not process materials containing asbestos. Asbestos is considered carcinogenic.

**Warning**

Dangers can occur at the device when it is used by untrained people in an unprofessional or improper way! Observe the personnel qualifications!

**Warning**

The device is not a toy and does not belong in the hands of children.

**Warning**

Risk of suffocation!
Do not leave the packaging lying around. Children may use it as a dangerous toy.

**Caution**

Keep a sufficient distance from heat sources.

Note

If you store or transport the device improperly, the device may be damaged.
Note the information regarding transport and storage of the device.

Overheating protection

The device is provided with a safety thermostat, which is activated by overheating of the device.

Once the safety thermostat has switched itself on, the heating elements of the device will be turned off. The fan keeps running.

Allow the device to cool down and switch it off. Investigate the cause of overheating. Should the problem persist, please contact the customer service.

Behaviour in the event of an emergency / emergency stop function

Emergency stop:

Removing the mains plug from the mains socket results in the function of the device immediately stopping. In order to secure the device against accidental switch-on, leave the mains plug disconnected.

Behaviour in the event of an emergency:

1. Switch the device off.
2. In an emergency, disconnect the device from the mains feed-in: Hold onto the mains plug while pulling the power cable out of the mains socket.
3. Do not reconnect a defective device to the mains.

Information about the device**Device description**

The heat gun HyStream 2100 is fitted with a 2000 W motor.

The temperature can be regulated in increments of 10 °C within a range between 50 °C and 650 °C by using the control panel. A change of display colour indicates that the desired temperature has been reached. The cold setting of 50 °C (stage 1) serves for a quick temperature reduction.

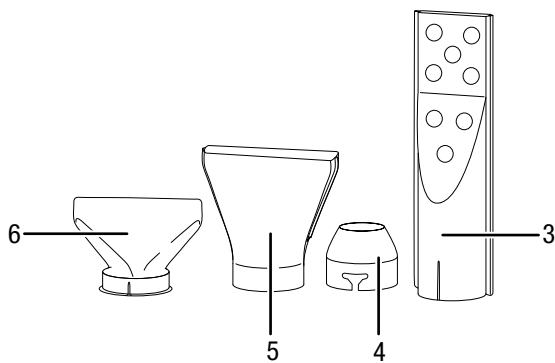
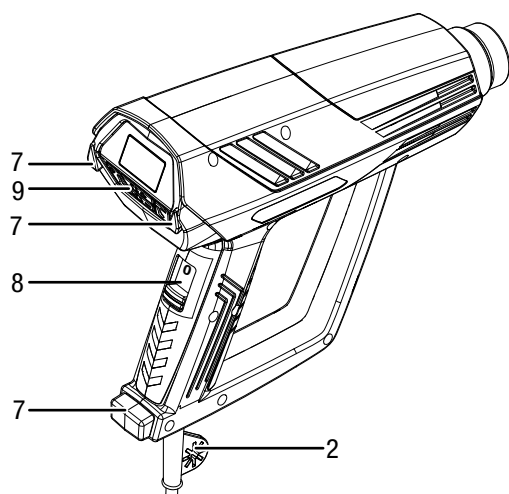
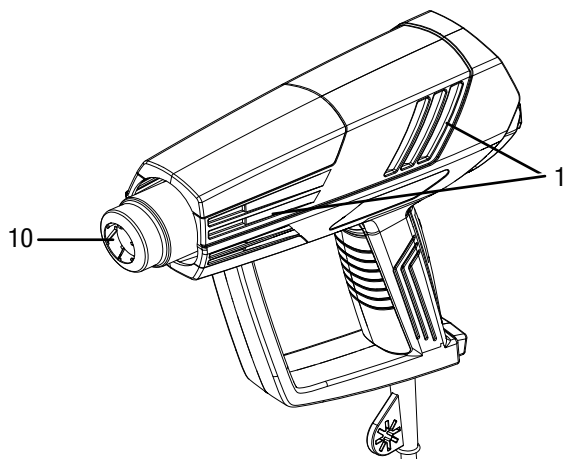
5 fan stages with the flow rate ranging between 250 l/min and 500 l/min can be selected.

The attachment nozzles can be exchanged without any tools in a matter of seconds and are suitable for different fields of application, e.g. for drying and removing incombustible paint coats, for heating (e.g. shrinking hoses), for sealing work, for deforming and heat-sealing plastics, for soldering and tin-coating work and also for dissolving adhesive bonds.

With the ergonomically shaped handle and its light weight the device is easy to handle.

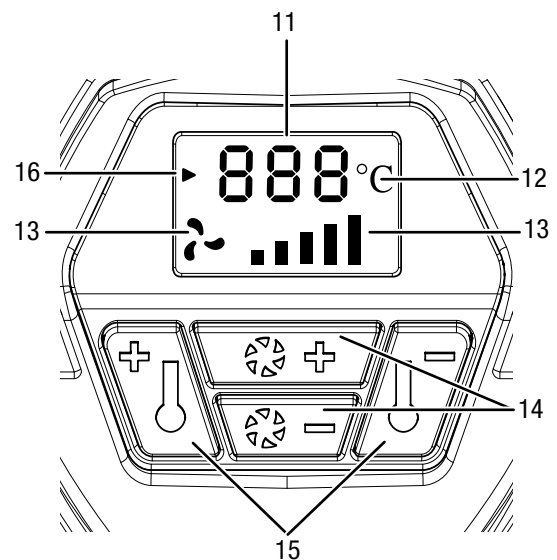
Optionally the device can be used while standing in an upright position or hand-held.

Device depiction



No.	Designation
1	Air inlet
2	Suspension eye
3	Barbecue lighter nozzle
4	Reducing nozzle
5	Wide-angle nozzle
6	glass protection / diversion nozzle
7	stand
8	ON/OFF switch, 0-1-2
9	Control panel
10	air outlet with attachment nozzle holder

Control panel




No.	Designation
11	display with colour change technology
12	temperature indication
13	ventilation indication
14	fan speed +/- button (5 stages)
15	temperature +/- button (°C in increments of 10 °C)
16	indication of the warm-up phase

Scope of delivery

- 1 x Device HyStream 2100
- 1 x Glass protection / diversion nozzle
- 1 x Wide-angle nozzle
- 1 x Reducing nozzle
- 1 x Barbecue lighter nozzle
- 1 x Manual

Technical data

Parameter	Value
Model	HyStream 2100
Mains connection	230 V / 50 Hz
Power consumption	2000 W
Air temperature	
Level 1	50 °C
Level 2	50 °C – 650 °C (in increments of 10 °C)
Air flow rate	250 l/min – 500 l/min in 5 fan stages
Cable length	2 m
Protection class	II (double insulation) / 
Weight	0.8 kg

The A-weighted sound pressure level of the device is typically less than 70 dB(A).

Transport and storage

Note

If you store or transport the device improperly, the device may be damaged.

Note the information regarding transport and storage of the device.

Transport

Before transporting the device, observe the following:

- Switch off the device.
- Hold onto the mains plug while pulling the power cable out of the mains socket.
- Allow the device to cool down.
- Allow the attachment nozzle to cool down.
- Remove the attachment nozzle from the air outlet.

Storage

Before storing the device, observe the following:

- Switch off the device.
- Hold onto the mains plug while pulling the power cable out of the mains socket.
- Allow the device to cool down.
- Allow the attachment nozzle to cool down.
- Remove the attachment nozzle from the air outlet.
- Clean the device as described in the Maintenance chapter.

When the device is not being used, observe the following storage conditions:

- Dry and protected from frost and heat
- Ambient temperature below 45 °C
- protected from dust and direct sunlight

Start-up

Unpacking the device

- Take the device and the accessories out of the packaging.



Warning of electrical voltage

Electric shock from insufficient insulation.
Check the device for damages and proper functioning before each use.

If you notice damages, no longer use the device.
Do not use the device when the device or your hands are damp or wet!

- Check the contents for completeness and look for damages.



Warning

Risk of suffocation!
Do not leave the packaging lying around. Children may use it as a dangerous toy.

- Dispose of the packaging material according to the national regulations.

Using the attachment nozzles

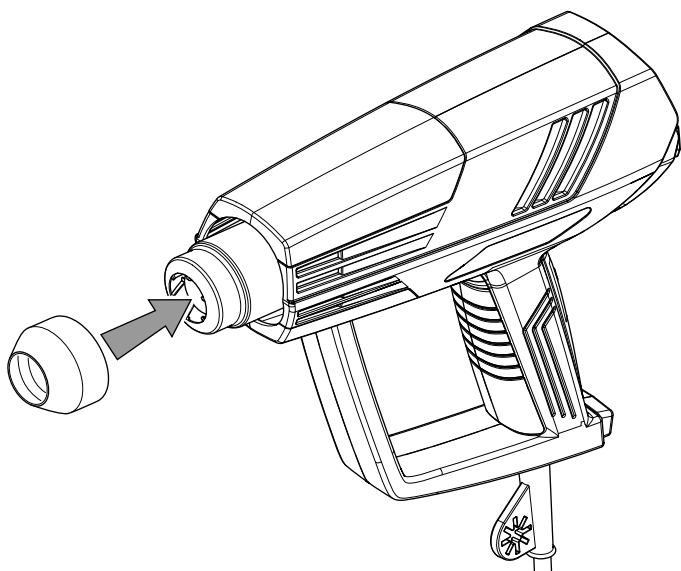


Warning of hot surface

The insertion tool might still be hot after the application. Burn hazard when touching the insertion tool.

Do not touch the insertion tool bare-handed!
Wear protective gloves!

1. Affix the attachment nozzle best suited for the task at hand to the air outlet.



2. Make sure that the attachment nozzle is plugged on all the way and fits tightly.



Info

The device may be used with or without attachment nozzle.

Connecting the power cable

1. Insert the mains plug into a properly secured mains socket.

Operation

Tips and notes on handling the heat gun

Glass protection / diversion nozzle

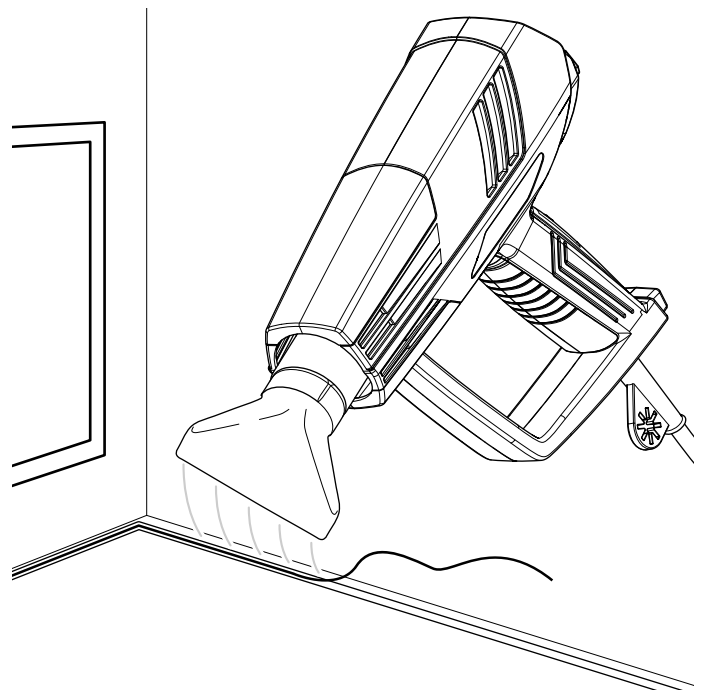
For use on heat-sensitive materials (such as glass) to prevent the risk of breaking glass:

- To remove hardened sealing compound heat the material for a few seconds.

The glass protection / diversion nozzle redirects the radiated heat and so provides protection against heat cracks.

- For restoration work soften old coats of paint, but do not scorch the wooden surface.

Application example for the glass protection / diversion nozzle:

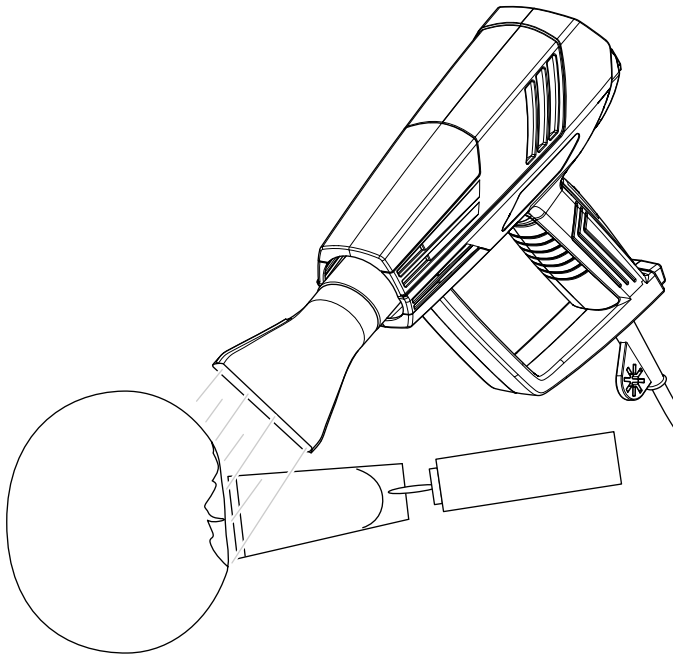


Wide-angle nozzle

For use on larger areas (e.g. for drying processes, the removal of paints, varnishes and adhesives or weed control):

- Many adhesives – as on the back of labels or carpets – can be softened with warmth. Then it is possible to dissolve the adhesive bonds, to peel off labels, detach carpets and remove surplus adhesive.
- You can heat up and then remove old coats of paint and lacquer on larger surfaces with a separate scraper. Try to avoid excessive heat exposure, for burnt varnish can only be removed with great difficulty.
- Weeds can be scorched also by aiming the hot air directly at it.

Application example for the wide-angle nozzle:

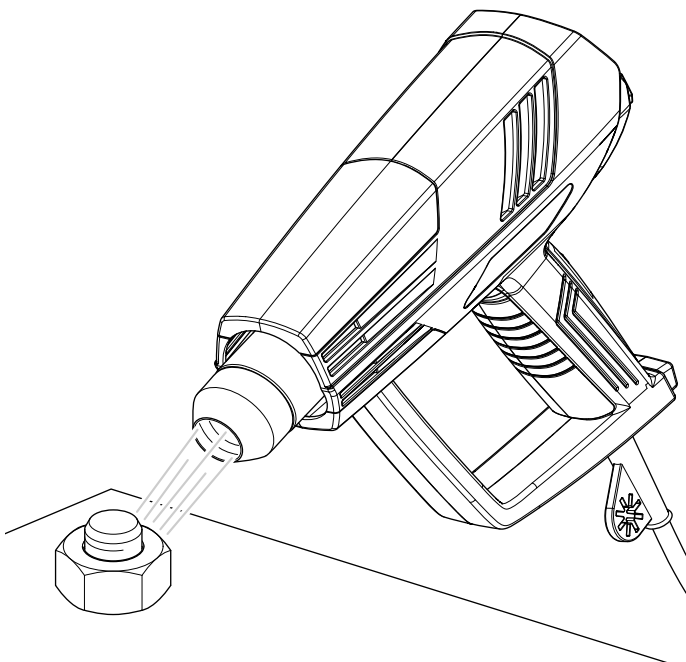


Reducing nozzle

For concentrating the air current (e.g. for welding or spot soldering):

- Use the reducing nozzle on shrinking hoses and shrink wrap.
- For a concentrated hot air flow , e.g. for heat-sealing plastics or removing paint coats in corners.
- It is easier to loosen screws when the connection was previously carefully heated by means of hot air.
- For the deformation of plastic pipes.

Application example for the reducing nozzle:



Barbecue lighter nozzle



Warning of flammable substances

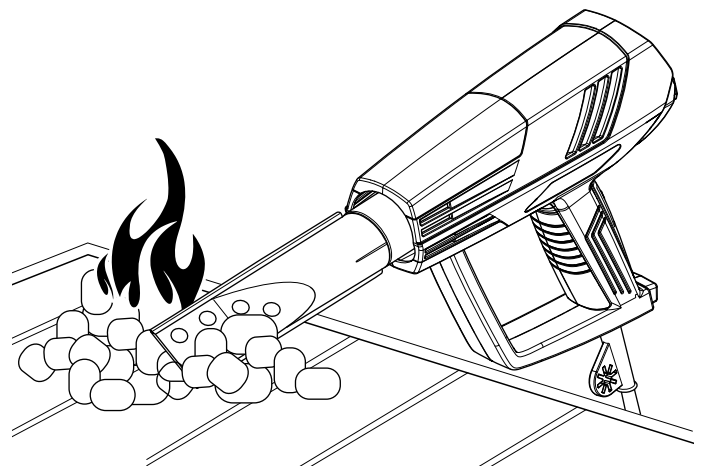
Fire hazard due to improper use of the barbecue lighter nozzle!

Never use methylated spirit or other combustible barbecue lighters in combination with the barbecue lighter nozzle!

Only use the barbecue lighter nozzle on a fire-proof surface (e.g. grill tray) and only to light charcoal!

- Poke the barbecue lighter nozzle deeply into the charcoal. The charcoal will be hot and ready for use within a few minutes. No further aids are required.

Application example for the barbecue lighter nozzle:



Switching the device on

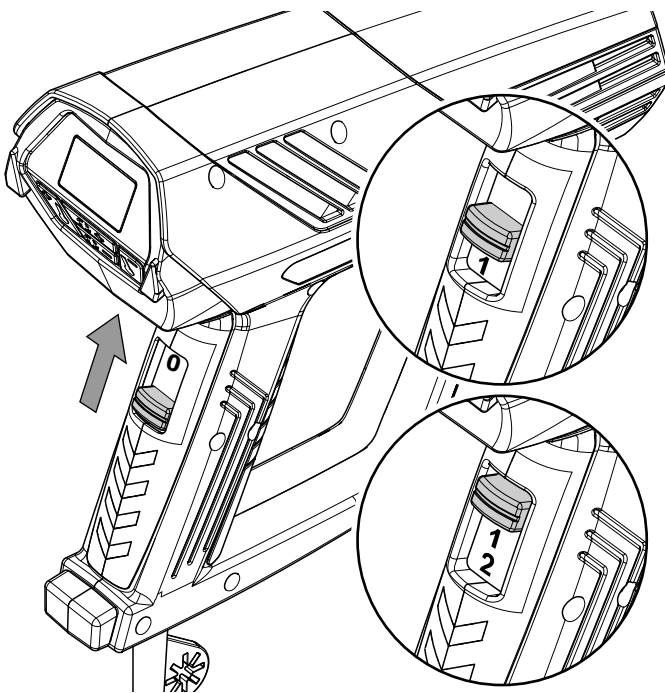


Info

Odours might arise upon initial start-up or after a longer period of non-use.

Wear your personal protective equipment when working with the device.

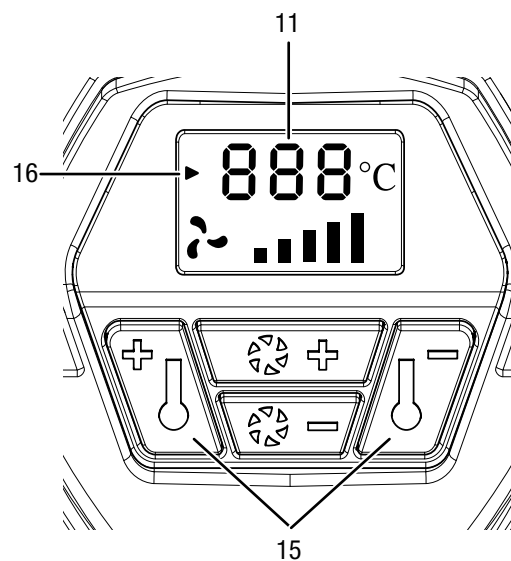
1. Slide the on/off switch (8) upwards to the desired setting.



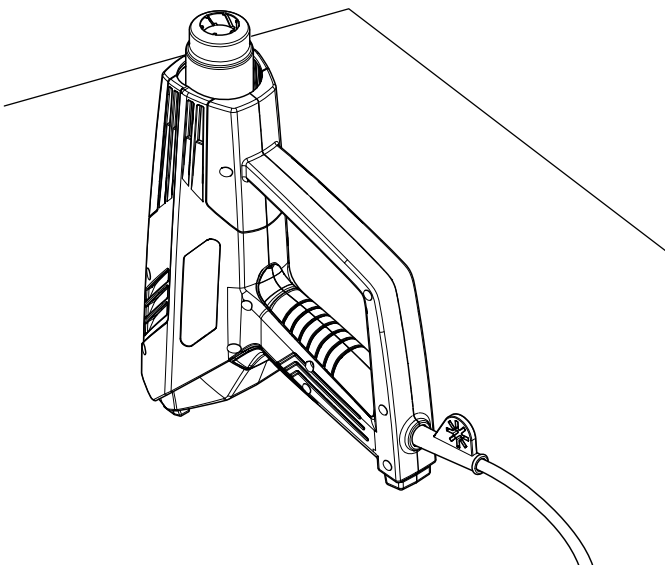
Temperature regulation

The temperature of the cold setting **1** is set at 50 °C, in the hot air setting **2** the temperature can be steplessly adjusted.

1. In order to work at 50 °C, slide the on/off switch (8) to position **1**.
2. To achieve a higher temperature, slide the on/off switch (8) to position **2**.
3. Select the desired temperature range by use of the buttons plus / minus buttons (15): the temperature can be adjusted between 50 °C and 650 °C in increments of 10 °C.



2. The ideal temperature for the respective application can be determined by way of field-testing. Always start out at the low temperature setting and then slowly adjust it to your operating range.
3. Only hold the device in one hand or place it in an upright position on the working surface. Make sure that the heat gun cannot be pulled down by the power cable.



4. If you press the plus / minus buttons (15) briefly, the temperature changes by 10 °C.
5. If you press and hold the buttons a bit longer, the temperature will be repeatedly increased or lowered by 10 °C until you let go or the maximum or minimum temperature has been reached.
6. The display (11) will be illuminated in green during the warm-up / cooling phase. As soon as the desired temperature is reached, the display colour changes from green to red. The symbol indicating the warm-up phase (16) flashes until the desired temperature value is reached. After that it is permanently displayed.

The target temperature is only displayed for a brief period. Then the current temperature indication returns to the display (11). This value will be increased or reduced to the target temperature. Upon reaching the target temperature, it will be indicated on the display (11).

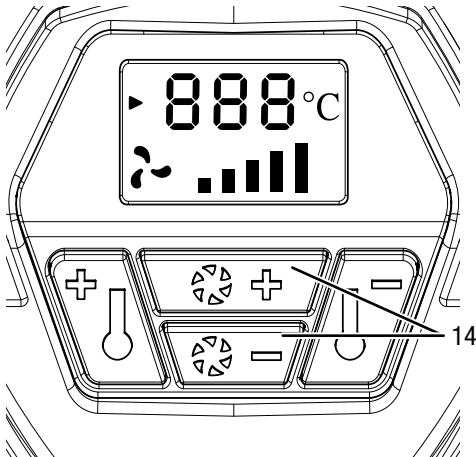
Regulating the air flow rate



Info

Regardless of the position of the on/off switch (stage 1 or 2), the fan stage can be adjusted at any time.

1. Select the desired fan speed by means of the plus / minus buttons (14): the air flow rate can be adjusted in 5 stages.
2. Briefly press the plus / minus buttons (14) to increase or reduce the fan speed.



3. If you press and hold the buttons a bit longer, the flow rate will be repeatedly increased or lowered until you let go or the maximum or minimum flow rate has been reached.

Stage	Air flow rate	Air temperature
Stage 1	250 – 500 l/min	50 °C
Stage 2	250 – 500 l/min	50 – 650 °C

The cold setting **1** is suited for cooling down a hot workpiece or for drying paint. Furthermore, it serves the purpose of cooling the device down before exchanging the attachment nozzles or before putting the device itself down.

Shutdown



Warning of electrical voltage

Do not touch the mains plug with wet or damp hands.



Warning of hot surface

The insertion tool might still be hot after the application. Burn hazard when touching the insertion tool.



Do not touch the insertion tool bare-handed!
Wear protective gloves!

1. Switch the on/off switch (8) to position **1** and the fan speed to stage **5**. Leave the device running at the cold setting for a brief period.
2. Put the device up in a vertical position allowing it to cool down sufficiently.
3. Switch off the device by sliding the on/off switch (8) to position **0**.
4. Hold onto the mains plug while pulling the power cable out of the mains socket.
5. Clean the device according to the Maintenance chapter.
6. Store the device according to the Storage chapter.

Errors and faults

The device has been checked for proper functioning several times during production. If malfunctions occur nonetheless, check the device according to the following list.

Troubleshooting tasks which require the housing to be opened must only be carried out by an authorized specialist electrical company or by Trotec.

Light smoke or odour is emitted during the first use:

- This is not a fault. These phenomena disappear after a brief runtime.

The device does not start:

- Check the power connection.
- Check the power cable and mains plug for damage. If you notice damages, do not try to take the device back into operation.

If the supply cord is damaged, it must be replaced by the manufacturer, its service agent or similarly qualified persons in order to avoid a hazard.

- Check the on-site fusing.

The device has automatically switched itself off:

- Keep the air inlet clear to prevent the motor from overheating.
- Check whether the overheating protection has tripped, see chapter Safety.



Info

Wait for at least 10 minutes before switching the device back on.

The device still does not operate correctly after these checks:

Please contact the customer service. If necessary, bring the device to an authorised specialist electrical company or to Trotec for repair.

Maintenance

Activities required before starting maintenance



Warning of electrical voltage

Do not touch the mains plug with wet or damp hands.

- Switch off the device.
- Hold onto the mains plug while pulling the power cable out of the mains socket.
- Allow the device to cool down completely.



Warning of electrical voltage

Maintenance tasks which require the housing to be opened must only be carried out by authorised specialist companies or by Trotec.

Notes on maintenance

Inside the device, there are no parts that need to be maintained or lubricated by the user.

Cleaning

The device should be cleaned before and after each use.

Note

The device does not have to be lubricated after cleaning.



Warning of electrical voltage

There is a risk of a short-circuit due to liquids penetrating the housing!

Do not immerse the device and the accessories in water. Make sure that no water or other liquids can enter the housing.

- Clean the device with a soft, damp and lint-free cloth. Make sure that no moisture enters the housing. Protect electrical components from moisture. Do not use any aggressive cleaning agents such as cleaning sprays, solvents, alcohol-based or abrasive cleaners to dampen the cloth.
- Dry the device with a soft, lint-free cloth.
- Keep the ventilation openings free from dust deposits to prevent overheating of the motor.

Disposal



The icon with the crossed-out waste bin on waste electrical or electronic equipment stipulates that this equipment must not be disposed of with the household waste at the end of its life. You will find collection points for free return of waste electrical and electronic equipment in your vicinity. The addresses can be obtained from your municipality or local administration. You can also find out about other return options that apply for many EU countries on the website <https://hub.trotec.com/?id=45090>. Otherwise, please contact an official recycling centre for electronic and electrical equipment authorised for your country.

The separate collection of waste electrical and electronic equipment aims to enable the re-use, recycling and other forms of recovery of waste equipment as well as to prevent negative effects for the environment and human health caused by the disposal of hazardous substances potentially contained in the equipment.

Trotec GmbH

Grebbener Str. 7
D-52525 Heinsberg

☎ +49 2452 962-400

☎ +49 2452 962-200

✉ info@trotec.com

www.trotec.com