

PCPS 11-20V / PCPS 12-20V

EN

ORIGINAL INSTRUCTIONS
CORDLESS COMPRESSOR AND
CORDLESS AIR PUMP



Table of contents

Notes regarding the instructions 2

Safety 2

Information about the device 6

Transport and storage 8

Start-up 9

Operation 12

Available accessories 14

Errors and faults 14


Maintenance 15


Disposal 16


Declaration of conformity 16


Notes regarding the instructions

Symbols


 **Warning of electrical voltage**
This symbol indicates dangers to the life and health of persons due to electrical voltage.


 **Warning of explosive substances**
This symbol indicates dangers to the life and health of persons due to potentially explosive substances.


 **Warning**
This signal word indicates a hazard with an average risk level which, if not avoided, can result in serious injury or death.

 **Caution**
This signal word indicates a hazard with a low risk level which, if not avoided, can result in minor or moderate injury.

Note
This signal word indicates important information (e.g. material damage), but does not indicate hazards.

 **Info**
Information marked with this symbol helps you to carry out your tasks quickly and safely.

 **Follow the manual**
Information marked with this symbol indicates that the instructions must be observed.

 **Wear hearing protection**
Information marked with this symbol indicates that you should wear hearing protection.

You can download the current version of the instructions and the EU declaration of conformity via the following link:




PCPS 11-20V
PCPS 12-20V



<https://hub.trotec.com/?id=45184>

Safety

General Power Tool Safety Warnings

 **Warning**
Read all safety warnings, instructions, illustrations and specifications provided with this power tool.
Failure to follow all instructions listed below may result in electric shock, fire and/or serious injury.
Save all warnings and instructions for future reference.

The term *power tool* in the warnings refers to your mains-operated (corded) power tool or battery-operated (cordless) power tool.

 **General Power Tool Safety Warnings – Work area safety**

- **Keep work area clean and well lit.** Clutter or dark areas invite accidents.
- **Do not operate power tools in explosive atmosphere, such as in the presence of flammable liquids, gases or dust.** Power tools create sparks which may ignite the dust or fumes.
- **Keep children and bystanders away while operating a power tool.** Distractions can cause you to lose control.

 **General Power Tool Safety Warnings – Electrical safety**

- **Power tool plugs must match the outlet. Never modify the plug in any way. Do not use any adapter plugs with earthed (grounded) power tools.** Unmodified plugs and matching outlets will reduce risk of electric shock.
- **Avoid body contact with earthed or grounded surfaces, such as pipes, radiators, ranges and refrigerators.** There is an increased risk of electric shock if your body is earthed or grounded.

- **Do not expose power tools to rain or wet conditions.** Water entering a power tool will increase the risk of electric shock.
- **Do not abuse the cord. Never use the cord for carrying, pulling or unplugging the power tool. Keep cord away from heat, oil, sharp edges or moving parts.** Damaged or entangled cords increase the risk of electric shock.
- **When operating a power tool outdoors, use an extension cord suitable for outdoor use.** Use of a cord suitable for outdoor use reduces the risk of electric shock.
- **If operating a power tool in a damp location is unavoidable, use a residual current device (RCD) protected supply.** Use of an RCD reduces the risk of electric shock.

General Power Tool Safety Warnings – Personal safety

- **Stay alert, watch what you are doing and use common sense when operating a power tool. Do not use a power tool while you are tired or under the influence of drugs, alcohol or medication.** A moment of inattention while operating power tools may result in serious personal injury.



Use personal protective equipment. Always wear eye protection. Protective equipment such as a dust mask, non-skid safety shoes, hard hat or hearing protection used for appropriate conditions will reduce personal injuries.

- **Prevent unintentional starting. Ensure the switch is in the off-position before connecting to power source and/or battery pack, picking up or carrying the tool.** Carrying power tools with your finger on the switch or energising power tools that have the switch on invites accidents.
- **Remove any adjusting key or wrench before turning the power tool on.** A wrench or a key left attached to a rotating part of the power tool may result in personal injury.
- **Do not overreach. Keep proper footing and balance at all times.** This enables better control of the power tool in unexpected situation.
- **Dress properly. Do not wear loose clothing or jewellery. Keep your hair and clothing away from moving parts.** Loose clothes, jewellery or long hair can be caught in moving parts.
- **If devices are provided for the connection of dust extraction and collection facilities, ensure these are connected and properly used.** Use of dust collection can reduce dust-related hazards.

- **Do not let familiarity gained from frequent use of tools allow you to become complacent and ignore tool safety principles.** A careless action can cause severe injury within a fraction of a second.



General Power Tool Safety Warnings – Power tool use and care

- **Do not force the power tool. Use the correct power tool for your application.** The correct power tool will do the job better and safer at the rate for which it was designed.
- **Do not use the power tool if the switch does not turn it on and off.** Any power tool that cannot be controlled with the switch is dangerous and must be repaired.
- **Disconnect the plug from the power source and/or remove the battery pack, if detachable, from the power tool before making any adjustments, changing accessories, or storing power tools.** Such preventive safety measures reduce the risk of starting the power tool accidentally.
- **Store idle power tools out of the reach of children and do not allow persons unfamiliar with the power tool or these instructions to operate the power tool.** Power tools are dangerous in the hands of untrained users.
- **Maintain power tools and accessories. Check for misalignment or binding of moving parts, breakage of parts and any other condition that may affect the power tool's operation. If damaged, have the power tool repaired before use.** Many accidents are caused by poorly maintained power tools.
- **Keep cutting tools sharp and clean.** Properly maintained cutting tools with sharp cutting edges are less likely to bind and are easier to control.
- **Use the power tool, accessories and tool bits etc. in accordance with these instructions, taking into account the working conditions and the work to be performed.** Use of the power tool for operations different from those intended could result in a hazardous situation.
- **Keep handles and grasping surfaces dry, clean and free from oil and grease.** Slippery handles and grasping surfaces do not allow for safe handling and control of the tool in unexpected situations.



General Power Tool Safety Warnings – Battery tool use and care

- **Recharge only with charger specified by the manufacturer.** A charger that is suitable for one type of battery pack may create a risk of fire when used with another battery pack.

- **Use power tools only with specifically designed battery packs.** Use of any other battery packs may create a risk of injury and fire.
- **When battery pack is not in use, keep it away from other metal objects, like paper clips, coins, keys, nails, screws or other small metal objects, that can make a connection from one terminal to another.** Shorting the battery terminals together may cause burns or a fire.
- **Under abusive conditions, liquid may be ejected from the battery; avoid contact. If contact accidentally occurs, flush with water. If liquid contacts eyes, additionally seek medical help.** Liquid ejected from the battery may cause irritation or burns.
- **Do not use a battery pack or tool that is damaged or modified.** Damaged or modified batteries may exhibit unpredictable behaviour resulting in fire, explosion or risk of injury.
- **Do not expose a battery pack or tool to fire or excessive temperature.** Exposure to fire or temperature above 130 °C may cause explosion.
- **Follow all charging instructions and do not charge the battery pack or tool outside the temperature range specified in the instructions.** Charging improperly or at temperatures outside the specified range may damage the battery and increase the risk of fire.



General Power Tool Safety Warnings – Charger use and care

- **This charger can be used by children aged from 8 years and above and persons with reduced physical, sensory or mental capabilities or lack of experience and knowledge if they have been given supervision or instruction concerning use of the appliance in a safe way and understand the hazards involved. Children shall not play with the appliance.** Cleaning and user maintenance shall not be made by children without supervision.
- **Never insert non-rechargeable batteries into the charger.** A charger that is suitable for one type of battery pack may create a risk of fire and explosion, when used with another battery pack or non-rechargeable batteries.
- Only charge the Li-Ion battery "Multiflex 20 – 2.0 DC" (capacity of 2.0 Ah = 5 battery cells) with the charger "Multiflex 20 – 2.0 AC". The battery voltage must match the battery charging voltage of the charger.



General Power Tool Safety Warnings – Service

- **Have your power tool serviced by a qualified repair person using only identical replacement parts.** This will ensure that the safety of the power tool is maintained.
- **Never service damaged battery pack.** Service of battery packs should only be performed by the manufacturer or authorized service providers.

Intended use

Only use the device PCPS 11-20V for:

- for inflating car tyres, bicycle tyres, inflatable toys, sports equipment and beach items
- for measuring the current pressure level of an inflatable object

whilst adhering to the technical data.



Info

Please note that the pressure gauge is not calibrated.

Only use the device PCPS 12-20V for:

- for inflating and deflating common inflatables with a large volume such as air mattresses, swimming pools, rubber dinghies or camping equipment

whilst adhering to the technical data.

We recommend using the power tool with original Trotec accessories.

Foreseeable misuse

The device PCPS 12-20V is not intended for inflating bicycle or car tyres.

Any other use than the one described in the chapter "Intended use" is regarded as reasonably foreseeable misuse.

Personnel qualifications

People who use this device must:

- have read and understood the instructions, especially the Safety chapter.

Safety signs and labels on the battery and the charger

Note

Do not remove any safety signs, stickers or labels from the device. Keep all safety signs, stickers and labels in legible condition.

The following safety signs and labels are attached to the battery:



Warning of explosion risk!

These symbols indicate the following:



Do not expose the battery pack or tool to fire or excessive temperature! Do not let the battery come into contact with water or fire! Avoid direct sunlight and moisture. There is a risk of explosion!

Never charge the battery at ambient temperatures below 10 °C or above 40 °C. Charging improperly or at temperatures outside the specified range may damage the battery and increase the risk of fire.



Observe the correct disposal of the battery!

This symbol indicates the following:

Ensure that the battery is disposed of correctly and never dispose of it in waste water or public waters. The battery contains irritating, caustic and toxic substances that pose significant risks to people and the environment.

The following safety signs and labels are attached to the charger:



This symbol indicates the following:

Read the instructions or operating manual before charging the battery.



This symbol indicates the following:

Only use the charger for charging the battery in dry interior spaces. Do not charge the device outdoors.

Personal protective equipment



Wear hearing protection.

Excessive noise can lead to hearing loss.

Residual risks



Warning of electrical voltage

Electric shock from insufficient insulation. Check the device for damages and proper functioning before each use. If you notice damages, no longer use the device. Do not use the device when the device or your hands are damp or wet!



Warning of electrical voltage

Work on the electrical components must only be carried out by an authorised specialist company!



Warning of electrical voltage

Before any work on the device, remove the mains plug from the mains socket and the battery from the device! Hold onto the mains plug while pulling the power cable out of the mains socket.



Warning of electrical voltage

There is a risk of a short-circuit due to liquids penetrating the housing! Do not immerse the device and the accessories in water. Make sure that no water or other liquids can enter the housing.



Warning of explosive substances

Do not expose the battery to temperatures above 45 °C! Do not let the battery come into contact with water or fire! Avoid direct sunlight and moisture. There is a risk of explosion!



Warning

Dangers can occur at the device when it is used by untrained people in an unprofessional or improper way! Observe the personnel qualifications!



Warning

The device is not a toy and does not belong in the hands of children.



Warning

Risk of suffocation! Do not leave the packaging lying around. Children may use it as a dangerous toy.



Caution

Keep a sufficient distance from heat sources.

Note

If you store or transport the device improperly, the device may be damaged. Note the information regarding transport and storage of the device.

Note

The device is not suitable for continuous operation. To prevent overheating, the device must not be used non-stop for more than 10 minutes (PCPS 11-20V) or 20 minutes (PCPS 12-20V). Should the device be overheating nonetheless, remove the battery. Allow the device to cool down sufficiently before switching it back on.

Behaviour in the event of an emergency / emergency stop function

Emergency stop:

Removing the battery results in the function of the device stopping immediately. Leave the battery out in order to secure the device against accidental switch-on.

Behaviour in the event of an emergency:

1. Switch the device off.
2. In the event of an emergency, remove the battery from the device: Hold the release button of the battery and pull the battery off the device as described in chapter "Removing the battery".
3. Do not insert the battery if the device is defective.

Information about the device

Device description

The cordless compressor PCPS 11-20V is suited for blowing up bicycle tyres, car tyres as well as inflatable toys or sports equipment such as footballs.

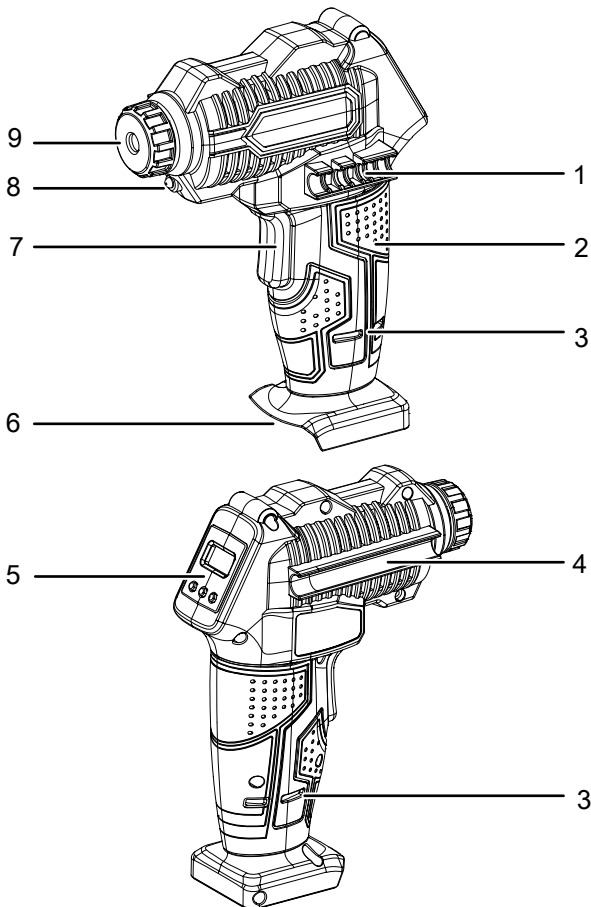
The device is equipped with an integrated pressure gauge.

Upon reaching the desired pressure value, the device will be switched off automatically.

The cordless air pump PCPS 12-20V is suited for inflating and deflating inflatable products with a large volume such as air mattresses or rubber dinghies.

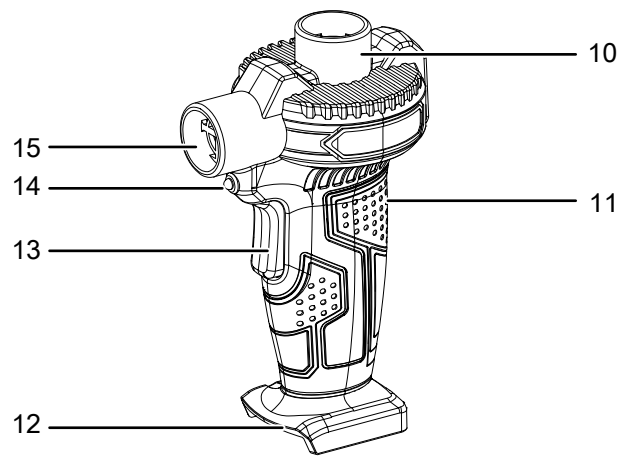
Device depiction

Cordless compressor PCPS 11-20V



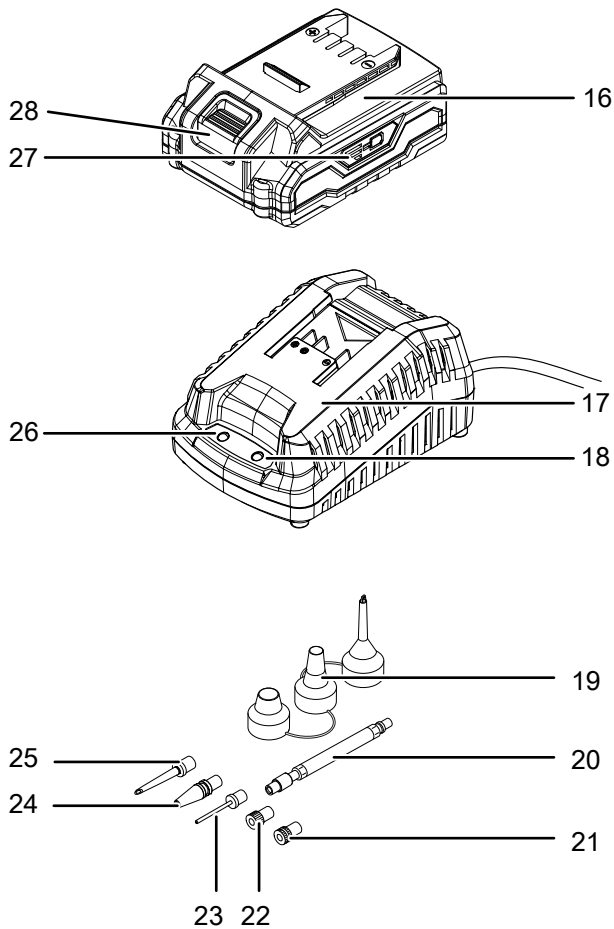
No.	Designation
1	Mount for valve adapters
2	Handle
3	Air inlet
4	Mount for compressed-air hose
5	Control panel
6	Battery holder
7	On/off switch
8	LED work light
9	Union nut

Cordless air pump PCPS 12-20V



No.	Designation
10	Air inlet (deflating)
11	Handle
12	Battery holder
13	On/off switch
14	LED work light
15	Air outlet (inflating)

Accessories



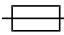

No.	Designation
16	Battery
17	Quick charger
18	Red battery LED (battery charging)
19	Nozzle attachments for air pump
20	Compressed-air hose with threaded connector
21	Presta valve adapter
22	Dunlop valve adapter
23	Ball needle
24	Universal adapter, short (2 pieces)
25	Universal adapter, long
26	Green battery LED (quick charger ready for operation)
27	3-stage battery level indication
28	Release button

Scope of delivery

- 1 x Cordless compressor PCPS 11-20V
- 1 x Cordless air pump PCPS 12-20V
- 1 x Rechargeable battery
- 1 x Quick charger
- 1 x Compressed-air hose with threaded connector

- 1 x Dunlop valve adapter
- 1 x Presta valve adapter
- 1 x Ball needle
- 1 x Universal plastic adapter with 3 nozzle attachments for air pump
- 2 x Universal adapter, short
- 1 x Universal adapter, long
- 1 x Transport case
- 1 x Manual

Technical data

Parameter	Value	
Model	PCPS 11-20V	PCPS 12-20V
Nominal voltage	20 V \equiv	20 V \equiv
Max. pressure	7 bar (100 psi)	-
Max. air flow rate	-	70 m ³ /h
Weight	1.2 kg	1 kg
Battery	Multiflex 20 – 2.0 DC	
Type	Li-ion	
Nominal voltage	20 V \equiv	
Nominal capacity	2.0 Ah	
Rechargeable cells	5 cells	
Capacity	40 Wh	
Quick charger	Multiflex 20 – 2.0 AC	
Input		
Nominal voltage	230 – 240 V / 50 Hz	
Power consumption	65 W	
Output		
Nominal voltage	21.5 V \equiv	
Charging current	2.4 A	
Fusing 	3.15 A (slow-blowing)	
Charging time	1 h	
Cable length	1.5 m	
Protection class	II / 	
Vibration information according to EN 62841		
Vibration emission value _{ah}	2.6 m/s ²	0.3 m/s ²
Uncertainty K	1.5 m/s ²	1.5 m/s ²
Sound values according to EN 62841		
Sound pressure level L _{pA}	85 dB(A)	82 dB(A)
Sound power level L _{WA}	96 dB(A)	93 dB(A)
Uncertainty K _{WA}	3 dB(A)	3 dB(A)

**Wear hearing protection.**

Excessive noise can lead to hearing loss.

Information on noise and vibration:

- The specified total vibration **and noise emission values** were measured by means of a test procedure standardized in EN 62841 and can be consulted for the comparison of one power tool with another.
- The specified total vibration **and noise emission values** can also be used for preliminary load assessment.
- The actual vibration **and noise emission** may differ from the stated values during operation of the power tool. This depends on how the power tool is used and especially on the type of workpiece being processed. Try to keep the vibration load to a minimum. Exemplary measures for reducing the vibration load include wearing gloves during operation of the tool and the limitation of working hours. All parts of an operating cycle must be considered for this (e.g. times at which the power tool is switched off and times when it is switched on but runs without load).

Transport and storage**Note**

If you store or transport the device improperly, the device may be damaged.

Note the information regarding transport and storage of the device.

Transport

For transporting the device, use the transport case included in the scope of delivery in order to protect the device from external influences.

Before transporting the device, observe the following:

- Switch off the device.
- Hold onto the mains plug while pulling the power cable of the charger out of the mains socket.
- Allow the device to cool down.
- Remove the battery from the device.

The supplied Li-ion batteries are subjects to the requirements of dangerous goods legislation.

Observe the following when transporting or shipping Li-ion batteries:

- The user may transport the batteries by road without any additional requirements.
- If transport is carried out by third parties (e.g. air transport or forwarding company), special requirements as to packaging and labelling must be observed. This includes consulting a dangerous goods specialist when preparing the package.
 - Only ship batteries if their housing is undamaged.
 - Mask open terminals with tape and pack the battery in a way that it cannot move inside the packaging.
 - Please also observe any other national regulations.

Storage

Before storing the device, observe the following:


- Switch off the device.
- Hold onto the mains plug while pulling the power cable of the charger out of the mains socket.
- Allow the device to cool down.
- Remove the battery from the device.
- Clean the device as described in the Maintenance chapter.
- For storing the device, use the transport case included in the scope of delivery in order to protect the device from external influences.
- Do not store Li-ion batteries which are completely discharged. Storing discharged batteries can lead to a deep discharge and thus damage the battery.


When the device is not being used, observe the following storage conditions:

- Dry and protected from frost and heat
- Ambient temperature below 45 °C
- Protected from dust and direct sunlight inside the transport case

Start-up

Unpacking the device

- Take the transport case out of the packaging.
-  **Warning of electrical voltage**
Electric shock from insufficient insulation.
Check the device for damages and proper functioning before each use.
If you notice damages, no longer use the device.
Do not use the device when the device or your hands are damp or wet!
- Check the contents of the transport case for completeness and look for damages.

-  **Warning**
Risk of suffocation!
Do not leave the packaging lying around. Children may use it as a dangerous toy.
- Dispose of the packaging material according to the national regulations.

Charging the battery

Note

The battery can be damaged in case of improper charging.

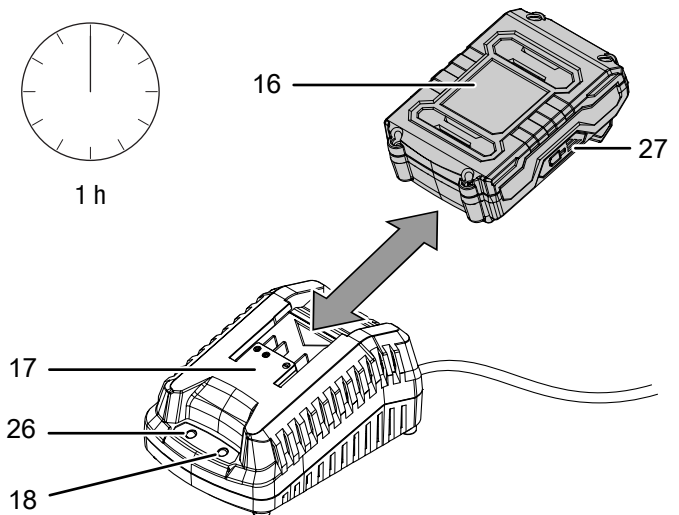
Remove the charger's mains plug before inserting or removing the battery.

Never charge the battery at ambient temperatures below 10 °C or above 40 °C.

The battery is partially charged upon delivery to avoid damage to the battery caused by a deep discharge.

Prior to initial start-up and when the battery is low (only the red LED in the battery level indication (27) is illuminated), the battery should be charged. To do so, please proceed as follows:

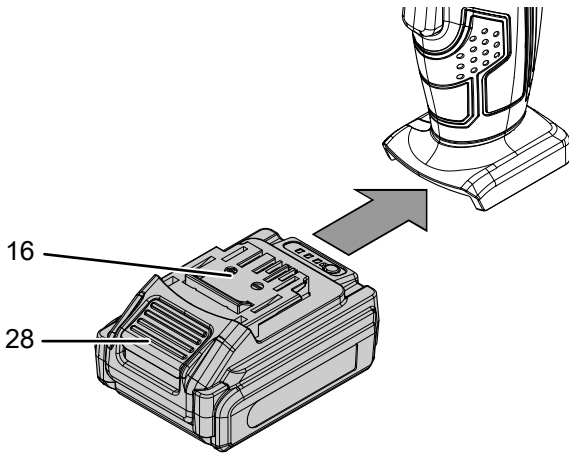
1. Slide the battery (16) onto the quick charger (17) upside down until it locks in place.



2. Insert the mains plug of the quick charger (17) into a properly fused mains socket.
 - ⇒ The red battery LED (18) lights up.
 - ⇒ Charging requires approx. one hour.
3. Wait until the red battery LED (18) goes off and the green battery LED (26) lights up.
 - ⇒ The battery (16) is fully charged.
4. Hold onto the mains plug while pulling the power cable of the quick charger (17) out of the mains socket.
 - ⇒ The battery (16) and the quick charger (17) may have become warm during charging.
Allow the battery (16) to cool down to room temperature.
5. Take the battery (16) out of the quick charger (17) by pressing and holding the release button (28) and pulling the battery (16) off the quick charger (17).

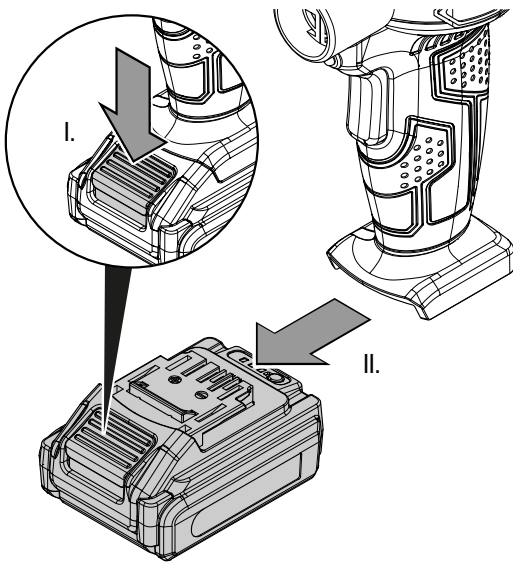
Inserting the battery

- Slide the battery (16) onto the device until it locks in place.



Removing the battery

- Detach the battery (16) from the device by pressing and holding the unlocking button (28, I.) and pulling the battery off the device (II.).



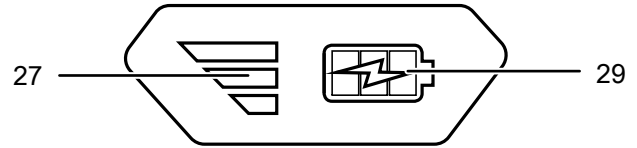
- If required, charge the battery (16) as described in the section *Charging the battery*.

Checking the battery status

The battery comes with an integrated battery level indication. The battery status is displayed as follows by the three LEDs of the battery level indication (27):

LED colour	Meaning
Green – Orange – Red	maximum charge / power
Orange – Red	medium charge / power
Red	weak charge – Recharge the battery.

- Press on the battery icon (29) on the battery (16).
 ⇨ You can read the battery status from the battery level indication (27).



Exchanging the valve adapter (cordless compressor)

Depending on the field of application, the following valve adapters can be connected either directly to the device or via the optional compressed-air hose (18).

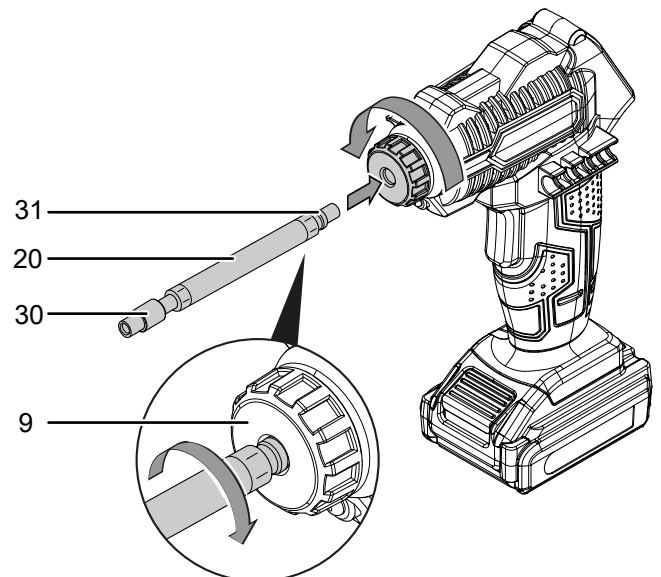
No.	Designation	Description
21	Presta valve adapter	To be used with Presta valves
22	Dunlop valve adapter	To be used with Dunlop valves
23	Ball needle	To be used with footballs or the like
24	Universal adapter, short	To be used with air mattresses or the like
25	Universal adapter, long	To be used with air mattresses or the like



Info

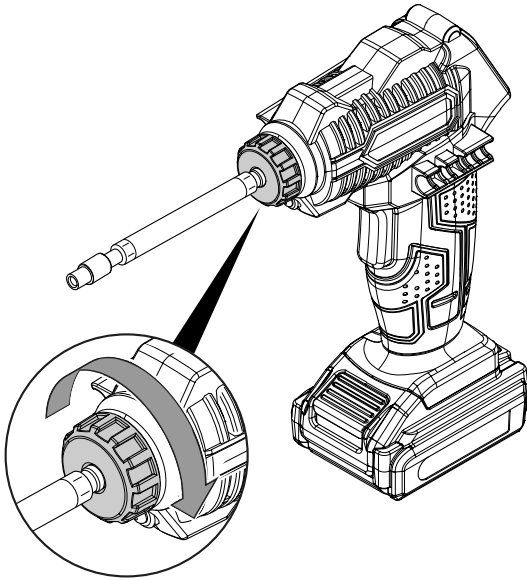
We recommend using the cordless compressor with connected compressed-air hose.

- Unscrew the union nut (9).

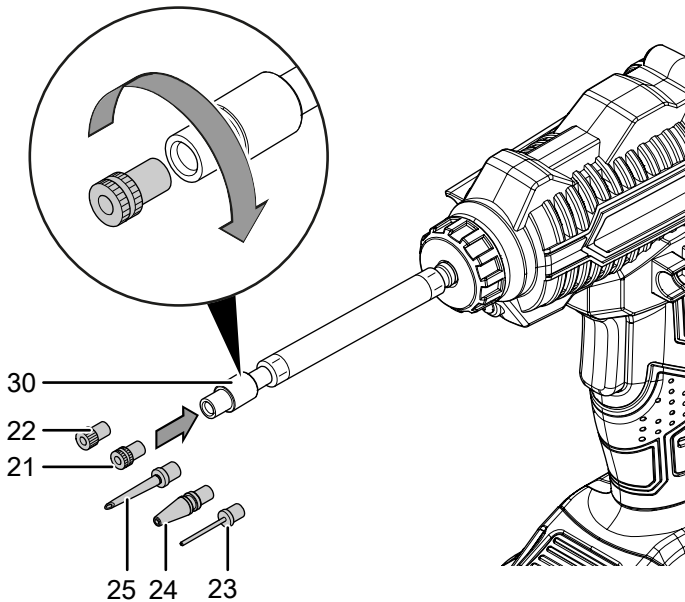


- Insert either the (optional) compressed-air hose (20) with its connector side (31) or the valve adapter (21, 22, 23, 24, 25) by rotating it clockwise.

3. Retighten the union nut (9).
 - ⇒ If you want to use the valve adapter (21, 22, 23, 24, 25) **without** compressed-air hose, the valve adapter is now fully mounted.
 - ⇒ If you want to use the valve adapter (21, 22, 23, 24, 25) **with** compressed-air hose, please proceed with the following steps.



4. Hold onto the compressed-air hose (20) at the adapter fixture (29).
5. Affix the required valve adapter (21, 22, 23, 24, 25).

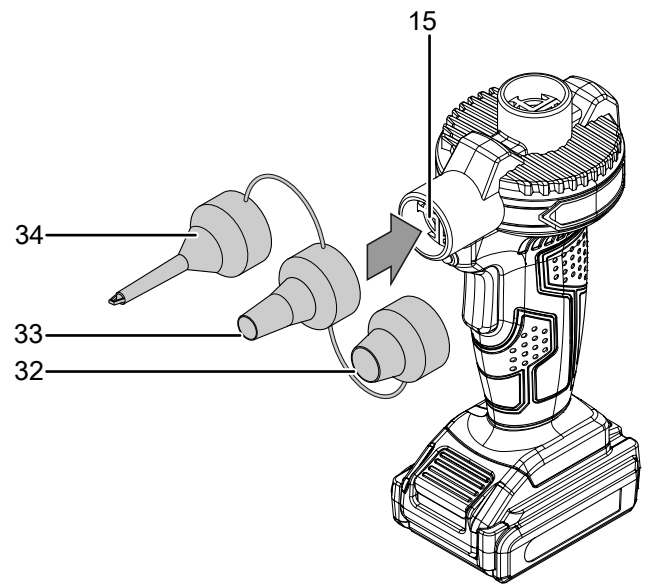


Exchanging the nozzle (cordless air pump)

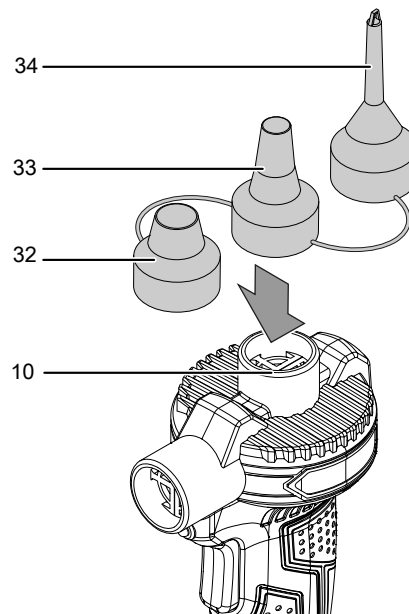
Depending on the field of application, the following nozzles can be connected to the air inlet or air outlet.

No.	Description
32	To be used with inflatables fitted with a vent valve
33	To be used with inflatables fitted with a screw-on valve (venting with the valve detached)
34	To be used with standard valves with an inner diameter of 8 mm or more

1. To blow up inflatable items, attach the desired nozzle (32, 33, 34) to the air outlet (15).



2. To exhaust the air from inflatable items, attach the desired nozzle (32, 33, 34) to the air inlet (10).



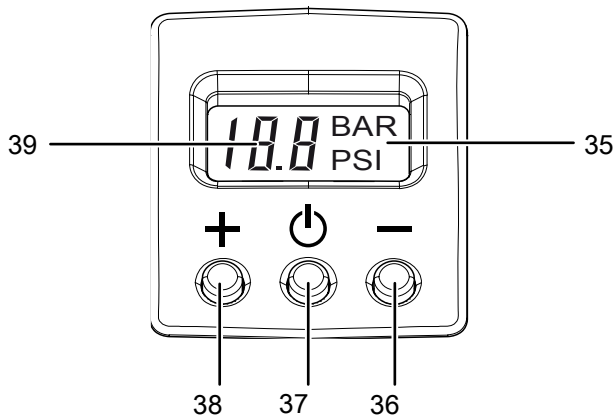
Operation

Tips and notes on handling the cordless compressor

General information:

- Keep the venting slots clear to prevent the motor from overheating.
- The device is not suitable for continuous operation. The device must not be used in continuous operation for more than 10 minutes.
- Only use intact, flawless valve adapters.

Operating elements



No.	Designation	Meaning
35	Indication of the unit	Indicates whether the pressure is measured/set in bar or psi.
36	Minus button	Reduces the value.
37	Power button	Switches the device on or off. Once the device is switched on, the button serves to switch over between the units bar and psi.
38	Plus button	Increases the value.
39	Segment display	Indicates the current measured pressure value. Indicates the target pressure value during setting.

Setting the pressure



Info

Please note that the pressure gauge is not calibrated.

1. Press the on/off switch (7) or the power button (37) located at the display.
 - ⇒ The previously set pressure value will be indicated on the segment display (39) for approx. 2 s.
 - ⇒ Then, the current pressure measurement will be indicated on the segment display (39). If no item is connected to the compressed-air hose, this value amounts to 0.
2. Press and hold the plus (38) or minus (36) button for approx. 2 s.
 - ⇒ The segment display (39) flashes.
3. Use the plus (38) and minus (36) buttons to set the desired pressure value.
4. Wait until the segment display (39) stops flashing.
 - ⇒ The desired pressure value is set.
 - ⇒ Now the current pressure value will again be indicated on the segment display (39).

Changing the unit bar / psi

You can choose whether the pressure is to be indicated in bar or psi.

✓ The device is switched on.

1. Press the power button (37) to switch over between the units bar and psi.

Switching the cordless compressor on and off



Info

Please note that the pressure gauge is not calibrated.

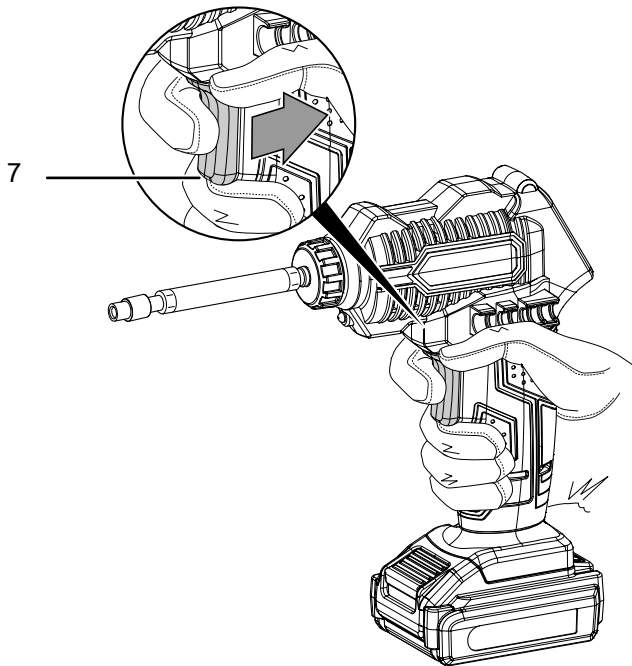


Info

The compressor is only in operation when the display is switched on.

1. Check whether the applied valve adapter and the set pressure value are suitable for the intended application.
2. Press the on/off switch (7) or the power button (37) located at the display.
 - ⇒ The previously set pressure value will be indicated on the segment display (39) for approx. 2 s.
 - ⇒ Then, the current pressure measurement will be indicated on the segment display (39). If no item is connected to the compressed-air hose, this value amounts to 0.
3. Connect the compressed-air hose to the item to be inflated by means of the mounted valve adapter.
 - ⇒ The pressure of the connected item will be indicated on the segment display (39).
4. Adjust the desired pressure value if required (see chapter Setting the pressure).

5. Press the on/off switch (7) and hold it during operation.
 - ⇒ The LED work light (8) is illuminated.
 - ⇒ The cordless compressor will be switched off upon reaching the set pressure level.



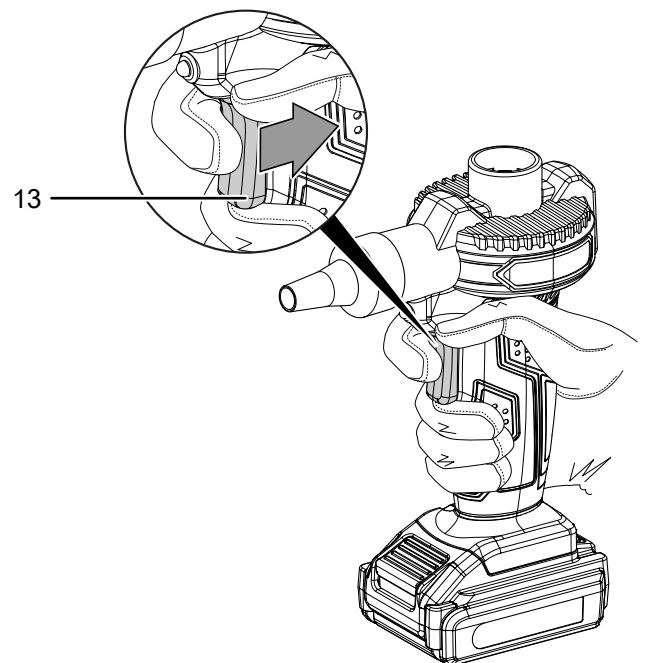
Tips and notes on handling the cordless air pump

General information:

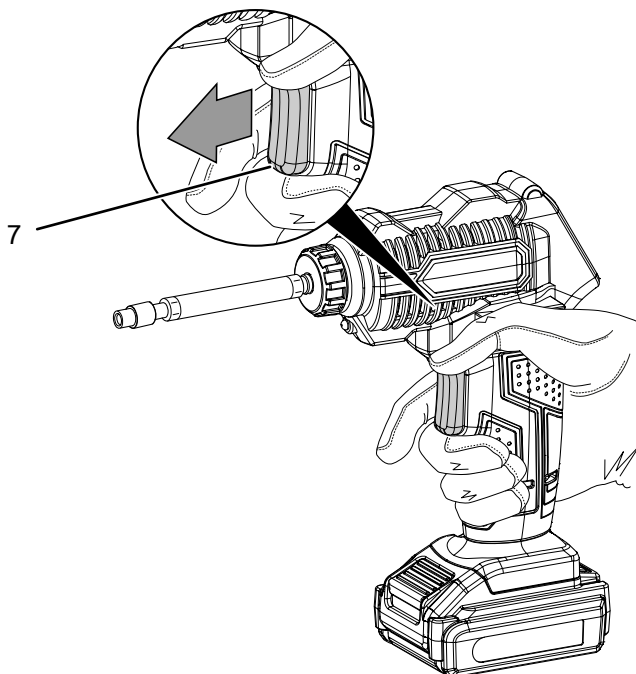
- Keep the venting slots clear to prevent the motor from overheating.
- The device is not suitable for continuous operation. The device must not be used in continuous operation for more than 20 minutes.

Switching the cordless air pump on and off

1. Check whether the nozzle is suitable for the intended application.
2. Check whether the nozzle is connected either to the air inlet (10) for deflation or to the air outlet (15) for inflation.
3. Connect the nozzle (19) to the item to be in- or deflated.
4. Press the on/off switch (13) and hold it during operation.
 - ⇒ The LED work light (14) is illuminated.

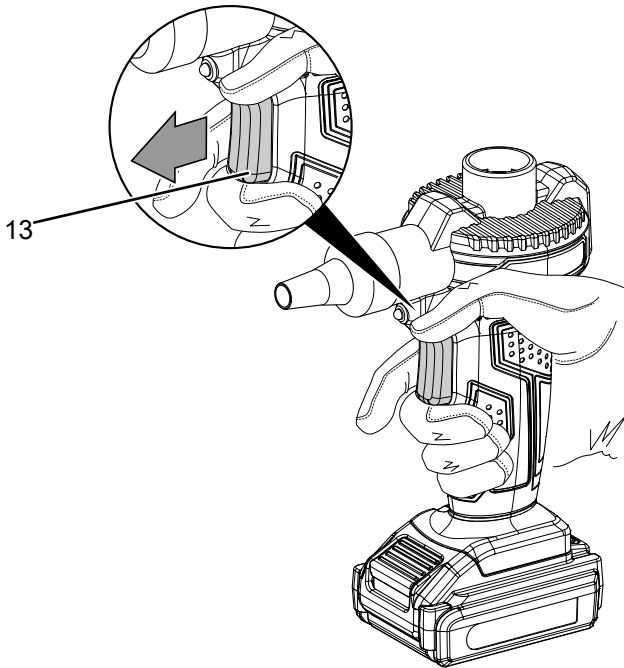


6. Let go of the on-/off-switch (7) to stop the device.
 - ⇒ The LED work light (8) goes out.



7. To switch the device off, press and hold the power button (37) at the display for approx. 3 s.
8. Remove the compressed-air hose or the valve adapter.

5. Let go of the on/off switch (13) to stop the device when the desired filling volume has been reached.
 ⇒ The LED work light (14) goes out.



6. Remove the nozzle (19) from the device.

Shutdown



Warning of electrical voltage

Do not touch the mains plug with wet or damp hands.

- Switch the device off.
- Hold onto the mains plug while pulling the power cable of the charger out of the mains socket.
- If required, allow the device to cool down.
- Remove the battery from the device (see Start-up chapter).
- Clean the device according to the Maintenance chapter.
- Store the device according to the Transport and storage chapter.

Available accessories



Warning

Only use accessories and additional equipment specified in the instructions. Using insertion tools or accessories other than those specified in the instructions may cause a risk of injury.

Designation	Article number
Spare battery Multiflex 20-2.0 DC	6.200.000.303

Errors and faults

The device has been checked for proper functioning several times during production. If malfunctions occur nonetheless, check the device according to the following list.

Troubleshooting tasks which require the housing to be opened must only be carried out by an authorized specialist electrical company or by Trotec.

Light smoke or odour is emitted during the first use:

- This is not a fault. These phenomena disappear after a brief runtime.

The battery does not charge:

- Check whether the battery is correctly connected to the quick charger.
 Slide the battery into the quick charger in a way that the battery terminals engage in the quick charger. The battery must lock in place in the quick charger.
- Check the power connection.
- Check the power cable and mains plug for damages.
- Check the fuse (home).
- Check the quick charger for damages. Should the quick charger be damaged, stop using it. Contact the Trotec customer service.
- Check the battery terminals for dirt. Remove any dirt.
- The battery might be defective and have to be replaced. Only use batteries of the same type.

The device does not start:

- The battery power might be too low. Recharge the battery.
- Check whether the battery is correctly connected to the device.
Slide the battery onto the device in a way that the battery terminals engage. The battery must lock in place in the device.
- Check the battery terminals for dirt. Remove any dirt.



Info

Wait for at least 10 minutes before switching the device back on.

The device is running, but there is no apparent inflation/deflation:

- Check the connections for tightness. Air might be escaping at the valve of the inflatable object.

The device becomes hot:

Note

The device is not suitable for continuous operation. To prevent overheating, the device must not be used non-stop for more than 10 minutes (PCPS 11-20V) or 20 minutes (PCPS 12-20V).

Should the device be overheating nonetheless, remove the battery.

Allow the device to cool down sufficiently before switching it back on.

- Check whether the device is suitable for the tasks to be carried out.
- Keep the venting slots or air inlet and outlet clear to prevent the motor from overheating.

Note

Wait for at least 3 minutes after maintenance and repair work. Only then switch the device back on.

The device still does not operate correctly after these checks:

Please contact the customer service. If necessary, bring the device to an authorised specialist electrical company or to Trotec for repair.

Maintenance

Activities required before starting maintenance



Warning of electrical voltage

Do not touch the mains plug or the battery with wet or damp hands.

- Switch the device off.
- Allow the device to cool down completely.
- Remove the battery from the device.



Warning of electrical voltage

Maintenance tasks which require the housing to be opened must only be carried out by authorised specialist companies or by Trotec.

Notes on maintenance

Inside the device, there are no parts that need to be maintained or lubricated by the user.

Safety signs on the battery and the charger

Check the safety signs attached to the battery and the charger at regular intervals. Replace illegible safety signs!

Cleaning

The device should be cleaned before and after each use.

Note

The device does not have to be lubricated after cleaning.



Warning of electrical voltage

There is a risk of a short-circuit due to liquids penetrating the housing!

Do not immerse the device and the accessories in water. Make sure that no water or other liquids can enter the housing.

- Clean the device with a soft, damp and lint-free cloth. Make sure that no moisture enters the housing. Protect electrical components from moisture. Do not use any aggressive cleaning agents such as cleaning sprays, solvents, alcohol-based or abrasive cleaners to dampen the cloth.
- Dry the device with a soft, lint-free cloth.
- Dry the bits with a soft, lint-free cloth.
- Keep the connecting terminals on the device and charger clean.
- Keep the connecting terminals on the battery pack clean.
- Keep the ventilation openings free from dust deposits to prevent overheating of the motor.

Disposal



The icon with the crossed-out waste bin on waste electrical or electronic equipment stipulates that this equipment must not be disposed of with the household waste at the end of its life. You will find collection points for free return of waste electrical and electronic equipment in your vicinity. The addresses can be obtained from your municipality or local administration. You can also find out about other return options that apply for many EU countries on the website <https://hub.trotec.com/?id=45090>. Otherwise, please contact an official recycling centre for electronic and electrical equipment authorised for your country.

The separate collection of waste electrical and electronic equipment aims to enable the re-use, recycling and other forms of recovery of waste equipment as well as to prevent negative effects for the environment and human health caused by the disposal of hazardous substances potentially contained in the equipment.



Li-Ion

In the European Union, batteries and accumulators must not be treated as domestic waste, but must be disposed of professionally in accordance with Directive 2006/66/EC of the European Parliament and of the Council of 6 September 2006 on batteries and accumulators. Please dispose of batteries and accumulators according to the relevant legal requirements.

Declaration of conformity

Declaration of conformity in accordance with the EC Machinery Directive 2006/42/EC, Annex II, Part 1, Section A

We – Trotec GmbH – declare in sole responsibility that the product designated below was developed, constructed and produced in compliance with the requirements of the EC Machinery Directive in the version 2006/42/EC.

Product model / product: PCPS 11-20V
PCPS 12-20V

Product type: cordless compressor and
cordless air pump

Year of manufacture as of: 2021

Relevant EU directives:

- 2011/65/EU: 01/07/ 2011
- 2012/19/EU: 24/07/2012
- 2014/30/EU: 29/03/2014

Applied harmonised standards:

- EN 1012-1:2010
- EN 55014-1:2017
- EN 62841-1:2015

Applied national standards and technical specifications:

- EN 55014-2:2015

Manufacturer and name of the authorised representative of the technical documentation:

Trotec GmbH
Grebbeener Straße 7, D-52525 Heinsberg
Phone: +49 2452 962-400
E-mail: info@trotec.de

Place and date of issue:

Heinsberg, 19.07.2021

Detlef von der Lieck, Managing Director

Trotec GmbH

Grebener Str. 7
D-52525 Heinsberg

☎ +49 2452 962-400

☎ +49 2452 962-200

✉ info@trotec.com

www.trotec.com