

**EN**

**ORIGINAL INSTRUCTIONS**  
CORDLESS SABRE SAW



**Table of contents**

**Notes regarding the instructions** ..... 2

**Safety** ..... 3

**Information about the device** ..... 8

**Transport and storage** ..... 10

**Start-up** ..... 10

**Operation** ..... 14

**Available accessories** ..... 16

**Errors and faults** ..... 17

**Maintenance** ..... 17







**Technical annex** ..... 19

**Disposal** ..... 21

**Declaration of conformity** ..... 21

**Notes regarding the instructions**

**Symbols**

-  **Warning of electrical voltage**  
This symbol indicates dangers to the life and health of persons due to electrical voltage.
-  **Warning of hot surface**  
This symbol indicates dangers to the life and health of persons due to hot surface.
-  **Warning of sharp object**  
This symbol indicates dangers to the life and health of persons due to pointed objects.
-  **Warning of hand injuries**  
This symbol indicates dangers to the health of persons due to hand injuries.
-  **Warning**  
This signal word indicates a hazard with an average risk level which, if not avoided, can result in serious injury or death.
-  **Caution**  
This signal word indicates a hazard with a low risk level which, if not avoided, can result in minor or moderate injury.

**Note**

This signal word indicates important information (e.g. material damage), but does not indicate hazards.



**Info**

Information marked with this symbol helps you to carry out your tasks quickly and safely.



**Follow the manual**

Information marked with this symbol indicates that the instructions must be observed.



**Wear hearing protection**

Information marked with this symbol indicates that you should wear hearing protection.



**Wear safety glasses**

Information marked with this symbol indicates that you should wear eye protection.



**Wear a protective mask**

Information marked with this symbol indicates that you should wear a protective mask.



**Wear protective clothing**

Information marked with this symbol indicates that you should wear protective clothing.



**Wear protective gloves**

Information marked with this symbol indicates that you should wear protective gloves.

You can download the current version of these instructions via the following link:



PRCS 10-20V



<https://hub.trotec.com/?id=43690>

## Safety

### General Power Tool Safety Warnings



#### Warning

**Read all safety warnings, instructions, illustrations and specifications provided with this power tool.**

Failure to follow all instructions listed below may result in electric shock, fire and/or serious injury.

**Save all warnings and instructions for future reference.**

The term *power tool* in the warnings refers to your mains-operated (corded) power tool or battery-operated (cordless) power tool.



#### General Power Tool Safety Warnings – Work area safety

- **Keep work area clean and well lit.** Clutter or dark areas invite accidents.
- **Do not operate power tools in explosive atmosphere, such as in the presence of flammable liquids, gases or dust.** Power tools create sparks which may ignite the dust or fumes.
- **Keep children and bystanders away while operating a power tool.** Distractions can cause you to lose control.



#### General Power Tool Safety Warnings – Electrical safety

- **Power tool plugs must match the outlet. Never modify the plug in any way. Do not use any adapter plugs with earthed (grounded) power tools.** Unmodified plugs and matching outlets will reduce risk of electric shock.
- **Avoid body contact with earthed or grounded surfaces, such as pipes, radiators, ranges and refrigerators.** There is an increased risk of electric shock if your body is earthed or grounded.
- **Do not expose power tools to rain or wet conditions.** Water entering a power tool will increase the risk of electric shock.
- **Do not abuse the cord. Never use the cord for carrying, pulling or unplugging the power tool. Keep cord away from heat, oil, sharp edges or moving parts.** Damaged or entangled cords increase the risk of electric shock.
- **When operating a power tool outdoors, use an extension cord suitable for outdoor use.** Use of a cord suitable for outdoor use reduces the risk of electric shock.
- **If operating a power tool in a damp location is unavoidable, use a residual current device (RCD) protected supply.** Use of an RCD reduces the risk of electric shock.



#### General Power Tool Safety Warnings – Personal safety

- **Stay alert, watch what you are doing and use common sense when operating a power tool. Do not use a power tool while you are tired or under the influence of drugs, alcohol or medication.** A moment of inattention while operating power tools may result in serious personal injury.
- **Use personal protective equipment. Always wear eye protection.** Protective equipment such as a dust mask, non-skid safety shoes, hard hat or hearing protection used for appropriate conditions will reduce personal injuries.
- **Prevent unintentional starting. Ensure the switch is in the off-position before connecting to power source and/or battery pack, picking up or carrying the tool.** Carrying power tools with your finger on the switch or energising power tools that have the switch on invites accidents.
- **Remove any adjusting key or wrench before turning the power tool on.** A wrench or a key left attached to a rotating part of the power tool may result in personal injury.
- **Do not overreach. Keep proper footing and balance at all times.** This enables better control of the power tool in unexpected situations.
- **Dress properly. Do not wear loose clothing or jewellery. Keep your hair and clothing away from moving parts.** Loose clothes, jewellery or long hair can be caught in moving parts.
- **If devices are provided for the connection of dust extraction and collection facilities, ensure these are connected and properly used.** Use of dust collection can reduce dust-related hazards.
- **Do not let familiarity gained from frequent use of tools allow you to become complacent and ignore tool safety principles.** A careless action can cause severe injury within a fraction of a second.



### General Power Tool Safety Warnings – Power tool use and care

- **Do not force the power tool. Use the correct power tool for your application.** The correct power tool will do the job better and safer at the rate for which it was designed.
- **Do not use the power tool if the switch does not turn it on and off.** Any power tool that cannot be controlled with the switch is dangerous and must be repaired.
- **Disconnect the plug from the power source and/or remove the battery pack, if detachable, from the power tool before making any adjustments, changing accessories, or storing power tools.**  
Such preventive safety measures reduce the risk of starting the power tool accidentally.
- **Store idle power tools out of the reach of children and do not allow persons unfamiliar with the power tool or these instructions to operate the power tool.** Power tools are dangerous in the hands of untrained users.
- **Maintain power tools and accessories. Check for misalignment or binding of moving parts, breakage of parts and any other condition that may affect the power tool's operation. If damaged, have the power tool repaired before use.** Many accidents are caused by poorly maintained power tools.
- **Keep cutting tools sharp and clean.**  
Properly maintained cutting tools with sharp cutting edges are less likely to bind and are easier to control.
- **Use the power tool, accessories and tool bits etc. in accordance with these instructions, taking into account the working conditions and the work to be performed.** Use of the power tool for operations different from those intended could result in a hazardous situation.
- **Keep handles and grasping surfaces dry, clean and free from oil and grease.** Slippery handles and grasping surfaces do not allow for safe handling and control of the tool in unexpected situations.



### General Power Tool Safety Warnings – Battery tool use and care

- **Recharge only with charger specified by the manufacturer.** A charger that is suitable for one type of battery pack may create a risk of fire when used with another battery pack.
- **Use power tools only with specifically designed battery packs.** Use of any other battery packs may create a risk of injury and fire.

- **When battery pack is not in use, keep it away from other metal objects, like paper clips, coins, keys, nails, screws or other small metal objects, that can make a connection from one terminal to another.** Shorting the battery terminals together may cause burns or a fire.
- **Under abusive conditions, liquid may be ejected from the battery; avoid contact. If contact accidentally occurs, flush with water. If liquid contacts eyes, additionally seek medical help.** Liquid ejected from the battery may cause irritation or burns.
- **Do not use a battery pack or tool that is damaged or modified.**  
Damaged or modified batteries may exhibit unpredictable behaviour resulting in fire, explosion or risk of injury.
- **Do not expose a battery pack or tool to fire or excessive temperature.** Exposure to fire or temperature above 130 °C may cause explosion.
- **Follow all charging instructions and do not charge the battery pack or tool outside the temperature range specified in the instructions.** Charging improperly or at temperatures outside the specified range may damage the battery and increase the risk of fire.



### General Power Tool Safety Warnings – Charger use and care

- **This charger can be used by children aged from 8 years and above and persons with reduced physical, sensory or mental capabilities or lack of experience and knowledge if they have been given supervision or instruction concerning use of the appliance in a safe way and understand the hazards involved. Children shall not play with the appliance.** Cleaning and user maintenance shall not be made by children without supervision.
- **Never insert non-rechargeable batteries into the charger.** A charger that is suitable for one type of battery pack may create a risk of fire and explosion, when used with another battery pack or non-rechargeable batteries.
- **Only charge the Li-Ion battery "Multiflex 20 – 2.0 DC" (capacity of 2.0 Ah = 5 battery cells) with the charger "Multiflex 20 – 2.0 AC".** The battery voltage must match the battery charging voltage of the charger.



### General Power Tool Safety Warnings – Service

- **Have your power tool serviced by a qualified repair person using only identical replacement parts.** This will ensure that the safety of the power tool is maintained.
- **Never service damaged battery pack.**  
Service of battery packs should only be performed by the manufacturer or authorized service providers.



### Device-specific safety warnings for sabre saws

- **Use clamps or another practical way to secure and support the workpiece to a stable platform.** Holding the workpiece by your hand or against the body leaves it unstable and may lead to loss of control.
- **Use appropriate detection equipment to track down concealed supply lines or consult the local utility companies.** Contact with electrical lines may result in fire and electric shock. Damaging a gas line may lead to an explosion. Penetrating a water line causes property damage and may cause an electric shock.
- **Vibrations can be harmful to the human hand-arm system.** Keep the vibration exposure time to a minimum.
- **Clean the shank of the saw blade before inserting it.** A dirty shank cannot be fastened securely.
- **Check the saw blade for tight fit.** A loose saw blade could fall out and injure you.
- **Before switching on the power tool, ensure that the insertion tool can move freely.** If the device is switched on with a jammed insertion tool, the resulting forces can be extreme causing the device to kick out sideways.
- **Do not work on moistened material or moist surfaces.**
- **Only hold the power tool against the workpiece when the tool is switched on and running.** Otherwise there is a risk of kickbacks.
- **Make sure that the guide shoe is positioned securely on the contact face during sawing.** A jammed saw blade could break or cause a kickback.
- **Keep your hands out of the sawing area.** Do not reach underneath the workpiece. Risk of injury upon contact with the saw blade.
- **Keep your hands away from lifting rod and quick-release chuck.** Crushing hazard upon contact with these components.
- **Ensure sufficient ventilation.**
- **Regularly check the quick-release chuck for wear or damage.**
- **Only use intact, flawless saw blades.** Bent and blunt saw blades could break or cause a kickback.
- **Do not attempt to slow down the saw blade movement by pressing against the blade from the side once the device is switched off.** The saw blade could be damaged, break or cause a kickback.
- **Switch off the power tool when your operation is completed, but do not remove the saw blade from the kerf until it has come to a standstill.** This serves to avoid a kickback, then you can put the power tool down safely.

- **Immediately switch off the power tool if the insertion tool blocks.** The power tool can lash out to the side owing to the forces that build up consequently.
- **Wait until the power tool has come to a standstill, before putting it down.** The insertion tool could get caught resulting in a loss of control of the power tool.



### Safety warnings for reciprocating saws

- **Hold the power tool by its insulated gripping surfaces when performing an operation where the cutting accessory may contact hidden wiring or its own cord.** Cutting a "live" wire may make exposed metal parts of the power tool "live" and could give the operator an electric shock.
- **Use clamps or another practical way to secure and support the workpiece to a stable platform.** Holding the workpiece by your hand or against the body leaves it unstable and may lead to loss of control.

### Intended use

Only use the device PRCS 10-20V for sawing plastic, wood, metal and building materials using the suitable saw blade.

The device may be used for:

- sawing work,
- straight and curved cuts,
- flush cutting of protruding workpieces

whilst adhering to the technical data (see instructions).

We recommend using the power tool with original Trotec accessories.

### Foreseeable misuse

- The device is not intended for processing glass or stone.
- Any other use than the one described in the chapter "Intended use" is regarded as reasonably foreseeable misuse.

### Personnel qualifications

People who use this device must:

- have read and understood the instructions, especially the Safety chapter.



**Safety signs and labels on the battery and the charger**

**Note**

Do not remove any safety signs, stickers or labels from the device. Keep all safety signs, stickers and labels in legible condition.

The following safety signs and labels are attached to the battery:



**Warning of explosion risk!**

These symbols indicate the following:



Do not expose the battery pack or tool to fire or excessive temperature! Do not let the battery come into contact with water or fire! Avoid direct sunlight and moisture. There is a risk of explosion!

Never charge the battery at ambient temperatures below 10 °C or above 40 °C. Charging improperly or at temperatures outside the specified range may damage the battery and increase the risk of fire.



**Observe the correct disposal of the battery!**

This symbol indicates the following:

Ensure that the battery is disposed of correctly and never dispose of it in waste water or public waters. The battery contains irritating, caustic and toxic substances that pose significant risks to people and the environment.

The following safety signs and labels are attached to the charger:



This symbol indicates the following:

Read the instructions or operating manual before charging the battery.



This symbol indicates the following:

Only use the charger for charging the battery in dry interior spaces. Do not charge the device outdoors.

**Personal protective equipment**



**Wear hearing protection.**

Excessive noise can lead to hearing loss.



**Wear eye protection.**

With it you protect your eyes from splintering, falling and flying pieces which could cause injuries.



**Wear a protective mask.**

It saves you from inhaling harmful dusts generated when processing workpieces.



**Wear protective gloves.**

They protect your hands from burns, crushing injuries and skin abrasions.



**Wear tight-fitting protective clothing.**

This protects you from the draw-in and entanglement hazard posed by rotating parts.

**Residual risks**



**Warning of electrical voltage**

Electric shock due to insufficient insulation! Check the device for damages and proper functioning before each use.

If you detect damages, do not use the device any longer.

Do not use the device when either the device or your hands are damp or wet!



**Warning of electrical voltage**

Work on the electrical components must only be carried out by an authorised specialist company!



**Warning of electrical voltage**

Before any work on the device, remove the mains plug from the mains socket and the battery from the device! Do not touch the mains plug with wet or damp hands. Hold onto the mains plug while pulling the power cable out of the mains socket.



**Warning of electrical voltage**

There is a risk of a short-circuit due to liquids penetrating the housing! Do not immerse the device and the accessories in water. Make sure that no water or other liquids can enter the housing.



**Warning of explosive substances**

Do not expose the battery to temperatures above 45 °C! Do not let the battery come into contact with water or fire! Avoid direct sunlight and moisture. There is a risk of explosion!



**Warning of hot surface**

The insertion tool might still be hot after the application. Burn hazard when touching the insertion tool.

Do not touch the insertion tool bare-handed! Wear protective gloves!



**Warning of hand injuries**

Crushing hazard near saw blade and guide shoe if handled without due care.

Wear protective gloves!



**Warning of sharp object**

Parts of the saw blade are sharp. Risk of injuries if handled without due care.

Wear protective gloves!

**Warning**

Toxic dusts!



The harmful / toxic dusts produced during operation pose of risk to the health of the operator and persons in the vicinity.



Wear eye protection and a dust mask!

**Warning**

Do not process materials containing asbestos. Asbestos is considered carcinogenic.

**Warning**

Make sure not to hit power, gas or water lines when working with a power tool. If necessary, use a pipe detector to check the wall you want to drill in or slit open.

**Warning**

Risk of injuries caused by flying parts or bursting tool heads.

**Warning**

Dangers can occur at the device when it is used by untrained people in an unprofessional or improper way! Observe the personnel qualifications!

**Warning**

The device is not a toy and does not belong in the hands of children.

**Warning**

Risk of suffocation!  
Do not leave the packaging lying around. Children may use it as a dangerous toy.

**Caution**

Vibration emissions can cause a health hazard if the device is used for an extended period of time or if it is not properly handled and maintained.

**Caution**

Keep a sufficient distance from heat sources.

**Note**

If you store or transport the device improperly, the device may be damaged.  
Note the information regarding transport and storage of the device.

**Behaviour in the event of an emergency / emergency stop function**

Emergency stop:

Removing the battery results in the function of the device stopping immediately. Leave the battery out in order to secure the device against accidental switch-on.

Behaviour in the event of an emergency:

1. Switch the device off.
2. In the event of an emergency, remove the battery from the device: Hold the release button of the battery and pull the battery off the device as described in chapter "Removing the battery".
3. Do not insert the battery if the device is defective.

**Information about the device**

**Device description**

The device PRCS 10-20V can be used for sawing work, straight and curved cuts as well as flush cutting of wood, plastic, metal and building materials.

The device is equipped with a quick-release mechanism compatible with S-shank and 1/2" universal shank saw blades for wood and metal as well as with flexible bi-metal saw blades for flush cutting. The saw blades can be exchanged without tools.

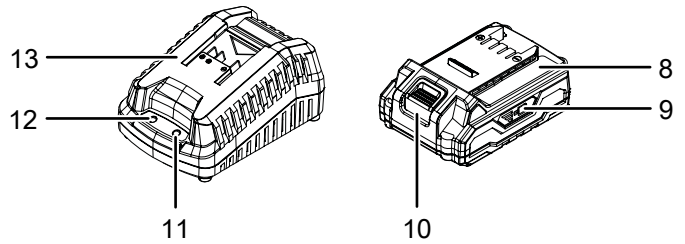
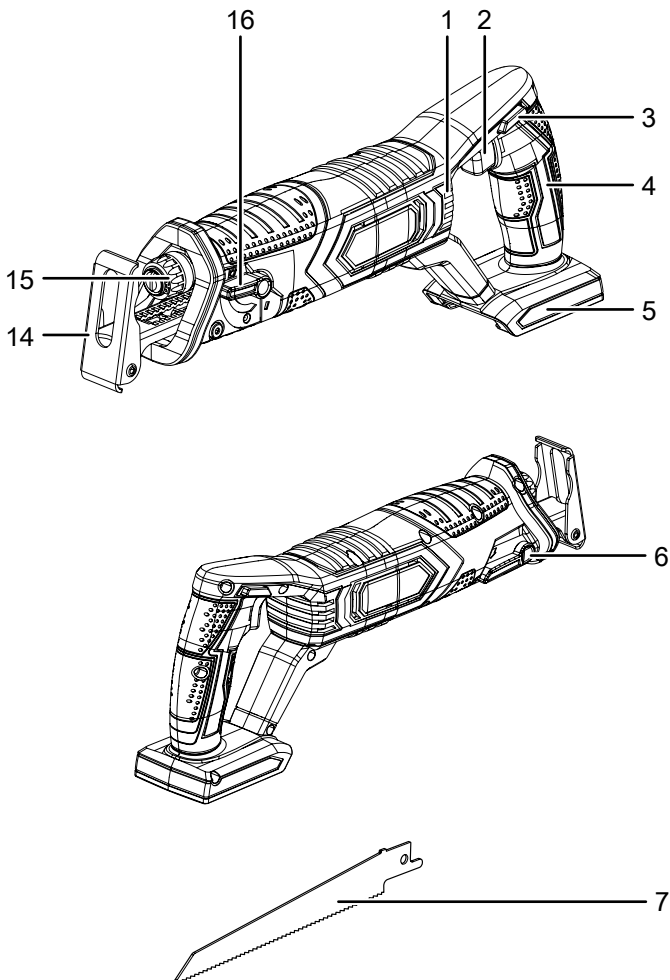
The device is equipped with a start lock preventing unintentional switch-on of the device.

During operation the stroke rate can be steplessly adjusted between 0 and 3,000 spm.

The guide shoe can be tilted by 30° and its length can be adjusted without tools.

The battery comes with its own battery level indication. As a result you can check the current charging status without having to connect it to the device.

**Device depiction**




No.	Designation
1	Venting slots
2	On/off switch
3	Start lock
4	Device handle
5	Battery holder
6	Guide shoe locking lever
7	Saw blade HCS wood
8	Battery
9	3-stage battery level indication
10	Release button
11	Red battery LED (battery charging)
12	Green battery LED (quick charger ready for operation)
13	Quick charger
14	Guide shoe
15	Quick-release chuck
16	Pendulum action selector switch

**Scope of delivery**

- 1 x Device PRCS 10-20V
- 1 x Saw blade HCS wood (6 TPI)
- 1 x Rechargeable battery
- 1 x Quick charger
- 1 x Transport case
- 1 x manual



## Technical data

Parameter	Value						
<b>Model</b>	<b>PRCS 10-20V</b>						
Nominal voltage	20 V $\text{---}$						
Stroke rate at no load	0 to 3,000 spm						
Stroke	20 mm						
Max. cutting depth	<table border="0"> <tr> <td>Wood</td> <td>100 mm</td> </tr> <tr> <td>Metal</td> <td>8 mm</td> </tr> <tr> <td>Aluminium</td> <td>10 mm</td> </tr> </table>	Wood	100 mm	Metal	8 mm	Aluminium	10 mm
Wood	100 mm						
Metal	8 mm						
Aluminium	10 mm						
Protection class	III / $\diamond$						
Weight	2.4 kg						
<b>Battery</b>	<b>Multiflex 20 – 2.0 DC</b>						
Type	Li-ion						
Nominal voltage	20 V $\text{---}$						
Nominal capacity	2.0 Ah						
Rechargeable cells	5 cells						
Capacity	40 Wh						
<b>Quick charger</b>	<b>Multiflex 20 – 2.0 AC</b>						
Input							
Nominal voltage	230 – 240 V / 50 Hz						
Power consumption	65 W						
Output							
Nominal voltage	21.5 V $\text{---}$						
Charging current	2.4 A						
Fusing 	3.15 A (slow-blowing)						
Charging time	1 h						
Cable length	1.5 m						
Protection class	II (double insulation) / $\square$						
<b>Vibration information according to EN 62841-2-11</b>							
Total vibration emission value:							
Sawing boards $a_{h,B}$	15.55 m/s <sup>2</sup>						
Uncertainty K	1.5 m/s <sup>2</sup>						
Sawing wooden beams $a_{h,WB}$	14.53 m/s <sup>2</sup>						
Uncertainty K	1.5 m/s <sup>2</sup>						
<b>Sound values according to EN 62841-2-11</b>							
Sound pressure level $L_{pA}$	83.28 dB(A)						
Sound power $L_{WA}$	94.28 dB(A)						
Uncertainty K	3 dB						

## Information on noise and vibration:

- The specified total vibration **and noise emission values** were measured by means of a test procedure standardized in EN 62841 and can be consulted for the comparison of one power tool with another.
- The specified total vibration **and noise emission values** can also be used for preliminary load assessment.



### Caution

Vibration emissions can cause a health hazard if the device is used for an extended period of time or if it is not properly handled and maintained.

- The actual vibration **and noise emission** may differ from the stated values during operation of the power tool. This depends on how the power tool is used and especially on the type of workpiece being processed. Try to keep the vibration load to a minimum. Exemplary measures for reducing the vibration load include wearing gloves during operation of the tool and the limitation of working hours. All parts of an operating cycle must be considered for this (e.g. times at which the power tool is switched off and times when it is switched on but runs without load).



### Wear hearing protection.

Excessive noise can lead to hearing loss.

## Transport and storage

### Note

If you store or transport the device improperly, the device may be damaged.

Note the information regarding transport and storage of the device.

### Transport

For transporting the device, use the transport case included in the scope of delivery in order to protect the device from external influences.

**Before** transporting the device, observe the following:

- Switch off the device.
- Hold onto the mains plug while pulling the power cable of the charger out of the mains socket.
- Allow the device to cool down.
- Remove the battery from the device.
- Remove the tool from the tool holder.

The supplied Li-ion batteries are subjects to the requirements of dangerous goods legislation.

Observe the following when transporting or shipping Li-ion batteries:

- The user may transport the batteries by road without any additional requirements.
- If transport is carried out by third parties (e.g. air transport or forwarding company), special requirements as to packaging and labelling must be observed. This includes consulting a dangerous goods specialist when preparing the package.
  - Only ship batteries if their housing is undamaged.
  - Mask open terminals with tape and pack the battery in a way that it cannot move inside the packaging.
  - Please also observe any other national regulations.

### Storage

**Before** storing the device, observe the following:

- Switch off the device.
- Hold onto the mains plug while pulling the power cable of the charger out of the mains socket.
- Allow the device to cool down.
- Remove the battery from the device.
- Remove the tool from the tool holder.
- Clean the device as described in the Maintenance chapter.
- For storing the device, use the transport case included in the scope of delivery in order to protect the device from external influences.
- Do not store Li-ion batteries which are completely discharged. Storing discharged batteries can lead to a deep discharge and thus damage the battery.

When the device is not being used, observe the following storage conditions:

- dry and protected from frost and heat
- Ambient temperature below 45 °C
- Protected from dust and direct sunlight inside the transport case

## Start-up

### Unpacking the device

- Take the transport case out of the packaging.



#### Warning of electrical voltage

Electric shock due to insufficient insulation!

Check the device for damages and proper functioning before each use.

If you detect damages, do not use the device any longer.

Do not use the device when either the device or your hands are damp or wet!

- Check the contents of the transport case for completeness and look for damages.



#### Warning

Risk of suffocation!

Do not leave the packaging lying around. Children may use it as a dangerous toy.

- Dispose of the packaging material according to the national regulations.

## Charging the battery

### Note

The battery can be damaged in case of improper charging.

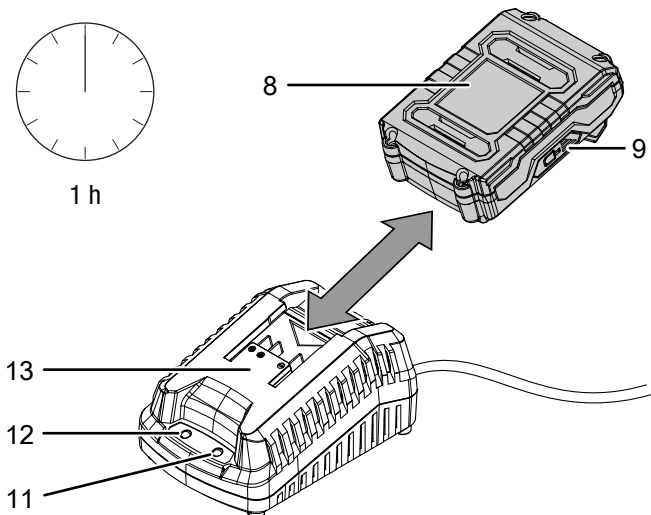
Remove the charger's mains plug before inserting or removing the battery.

Never charge the battery at ambient temperatures below 10 °C or above 40 °C.

The battery is partially charged upon delivery to avoid damage to the battery caused by a deep discharge.

Prior to initial start-up and when the battery is low (only the red LED in the battery level indication (9) is illuminated), the battery should be charged. To do so, please proceed as follows:

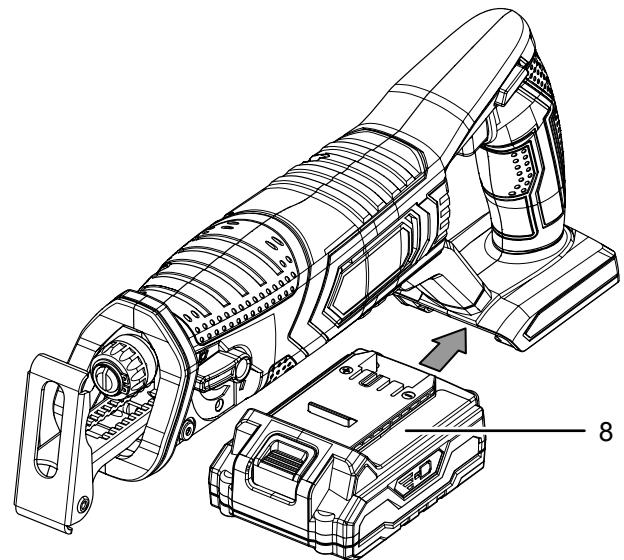
1. Slide the battery (8) onto the quick charger (13) as depicted until the battery locks in place.



2. Insert the mains plug of the quick charger (13) into a properly fused mains socket.
  - ⇒ The red battery LED (11) lights up.
  - ⇒ Charging requires approx. one hour.
3. Wait until the red battery LED (11) goes off and the green battery LED (12) lights up.
  - ⇒ The battery (8) is fully charged.
4. Hold onto the mains plug while pulling the power cable of the quick charger (13) out of the mains socket.
  - ⇒ The battery (8) and the quick charger (13) may have become warm during charging. Allow the battery (8) to cool down to room temperature.
5. Take the battery (8) out of the quick charger (13) by pressing and holding the release button (10) and pulling the battery (8) off the quick charger (13).

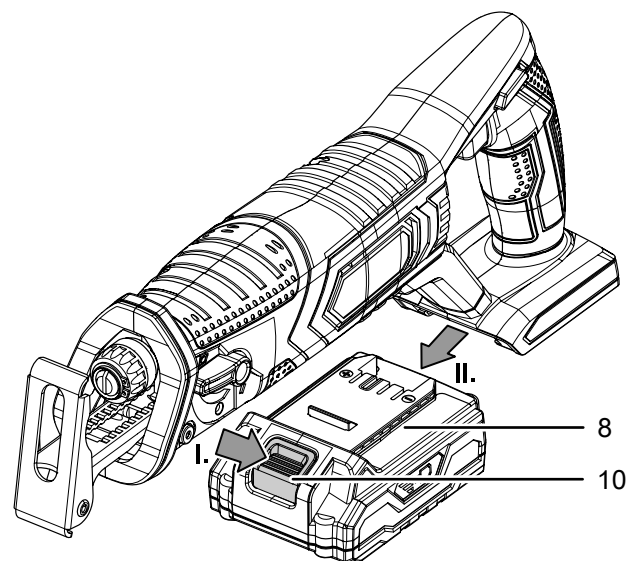
## Inserting the battery

1. Slide the battery (8) into the holder (5) until it locks in place.



## Removing the battery

1. Detach the battery (8) from the device by pressing and holding the unlocking button (10, I.) and pulling the battery off the device (II.).



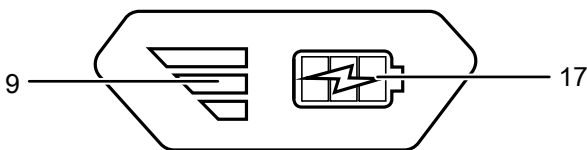
2. If required, charge the battery (8) as described in the section *Charging the battery*.

**Checking the battery charging status**

The battery comes with an integrated battery level indication. The battery status is displayed as follows by the three LEDs of the battery level indication (9):

LED colour	Meaning
Green – Orange – Red	maximum charge / power
Orange – Red	medium charge / power
Red	weak charge – recharge the battery

1. Press on the battery icon (17) on the battery (8).  
 ⇒ You can read the battery status from the battery level indication (9).



**Changing the saw blade**



**Warning of electrical voltage**

Before any work on the device, remove the mains plug from the mains socket and the battery from the device! Hold onto the mains plug while pulling the power cable out of the mains socket.



**Warning of hot surface**

The insertion tool might still be hot after the application. Burn hazard when touching the insertion tool.



Do not touch the insertion tool bare-handed! Wear protective gloves!



**Wear protective gloves**

Wear appropriate protective gloves when inserting or exchanging tools.

**Note**

Before changing the saw blade, remove any material residues from the quick-release chuck.

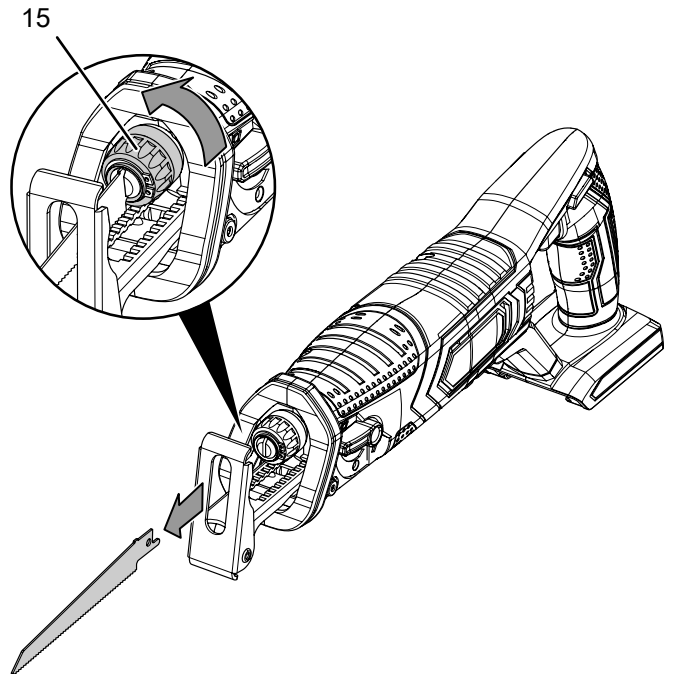
As standard, the device is supplied with one saw blade for cutting in wood.

All saw blades having an S-shank or a 1/2" universal shank can be used for this device. The saw blade should not be longer than required for the cut. A narrow saw blade should be used when sawing tight curves.

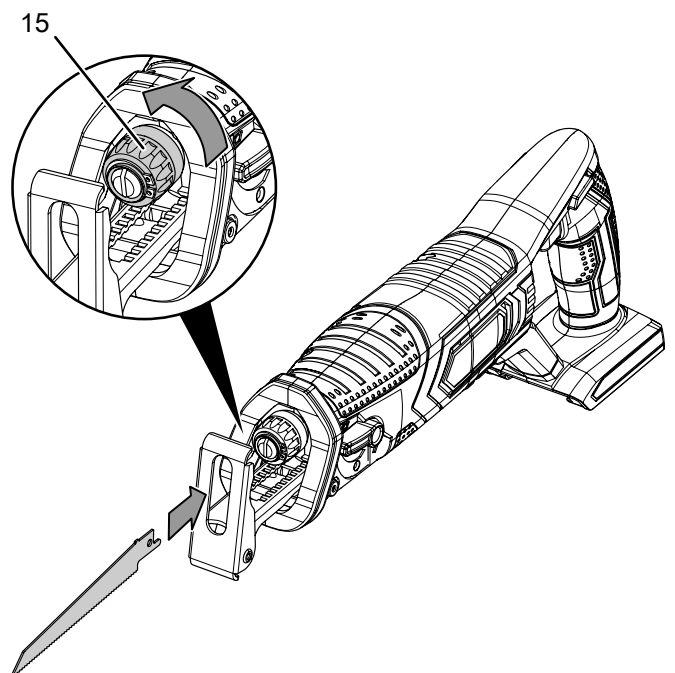
Please proceed as follows to remove or insert a saw blade:

1. Turn the quick-release chuck (15) to the side and hold it in this position.

If required, you can remove the guide shoe to reach the quick-release chuck more easily (see Adjusting the guide shoe).



2. If a saw blade is inserted, remove the saw blade from the quick-release chuck (15).
3. Insert the saw blade into the quick-release chuck. Make sure that the teeth of the saw blade point downwards.

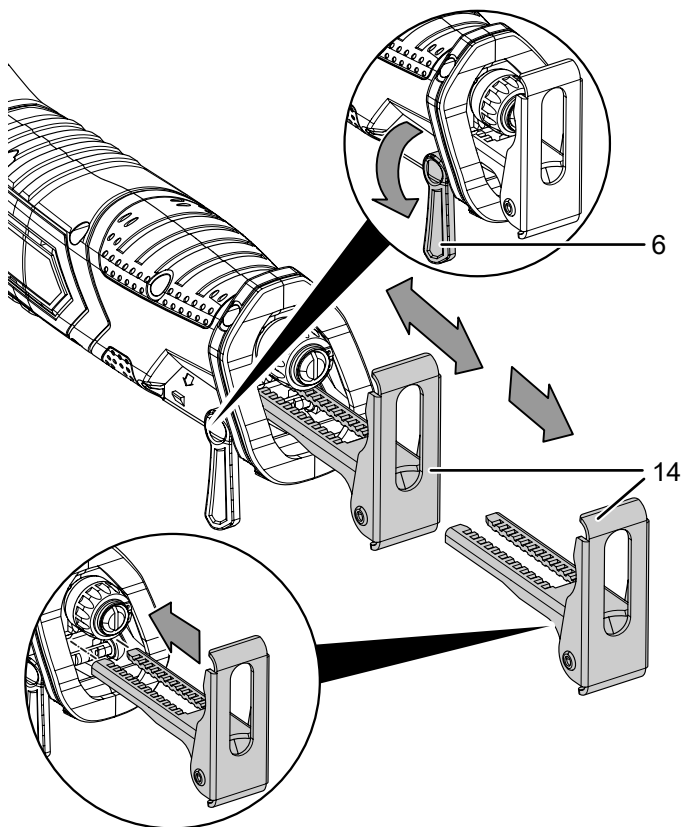


4. Push the saw blade into the quick-release chuck all the way to the stop (15). Use a suitable saw blade with S-shank or 1/2" universal shank.
5. Let go of the quick-release chuck. The quick-release chuck must return to its initial position.
6. Check whether the saw blade is properly locked in place.

### Adjusting the guide shoe

You can adjust the length of the guide shoe to specify the plunging depth. Please note that the shoe guide can only be securely locked up to a certain point. When using a saw blade that is larger than the recess in the guide shoe, or in order to facilitate the tool change, the guide shoe can be removed.

1. Release the locking lever (6).
2. Adjust the guide shoe (14) to the desired length. Should the guide shoe slide out of the guide rail accidentally, it can simply be reinserted.



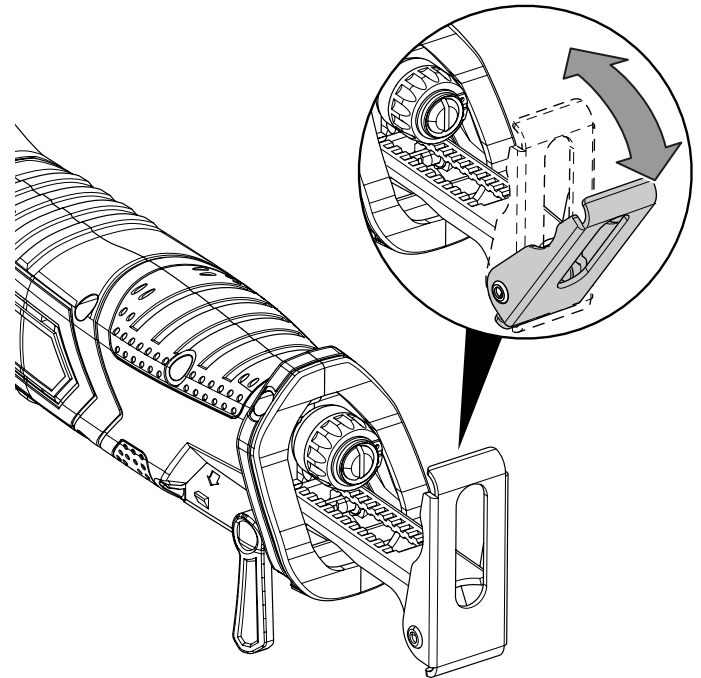
3. Set the locking lever (6) back to its initial position.

4. Check the guide shoe (14) for tight fit.



### Info

When the power tool is positioned, the head of the guide shoe adapts to the surface of the workpiece (inclination of up to 30°). After completing the operation, the head of the guide shoe can be brought back to its initial position.



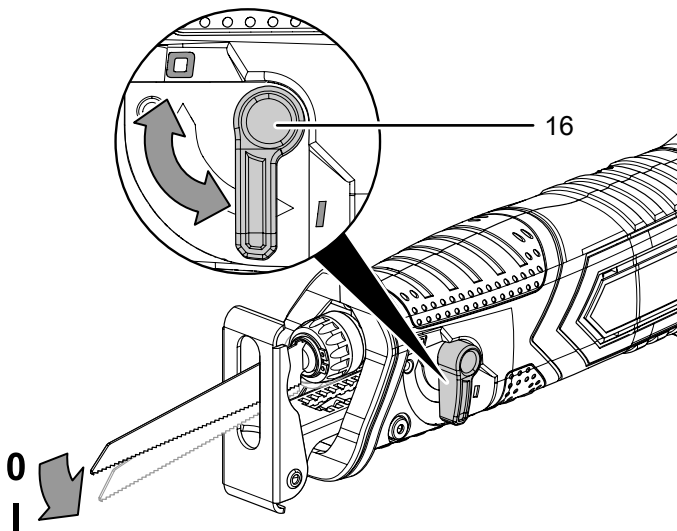


### Adjusting the pendulum action

Additionally, you can activate the pendulum movement of the saw blade. Level 1 (pendulum movement on) allows for a faster work progress and level 0 (pendulum movement off) enables fine and clean cutting edges.

The ideal pendulum level for the respective application can be determined by way of field-testing. Please observe the following instructions:

- Deactivate pendulum action to achieve fine and clean cutting edges.
  - Switch off the pendulum action when processing thin materials.
  - Work with the pendulum action deactivated when processing hard materials.
  - For soft materials or when sawing wood with the grain you can work with the pendulum action activated.
1. In order to activate pendulum action, set the pendulum action selector switch (16) to level 1. The pendulum action can also be adjusted during operation.



### Operation

#### Tips and notes on handling the sabre saw

##### General information:

- Keep the venting slots clear to prevent the motor from overheating.
- Check the tool in the tool holder for proper fit before every application. The tool must be firmly locked in place in the designated holding fixtures in the tool holder.
- Before every application, make sure that you have selected the correct tool and the correct speed for the intended use. By adapting the speed to the task you have planned and to the m to be machined, better results can be obtained.

##### Sawing:

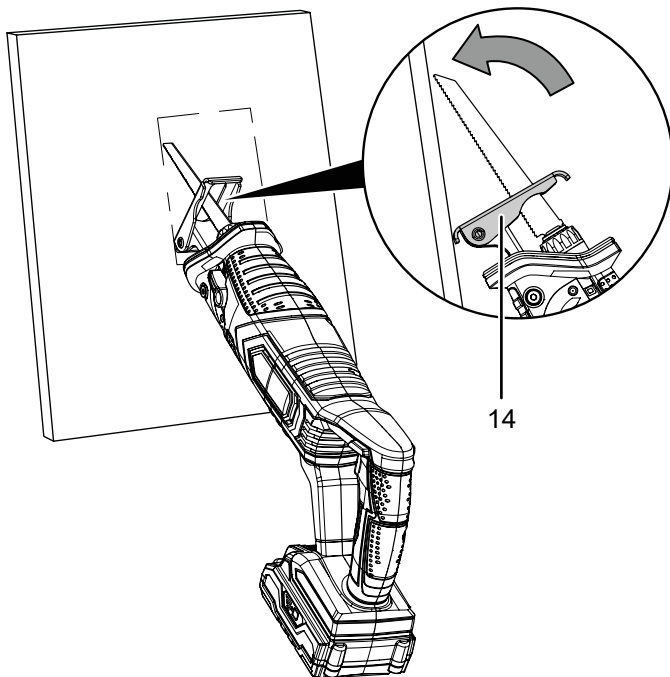
- Before sawing wood, chipboards, building materials etc., check the above for foreign objects, e.g. nails, screws or similar. If required, remove the foreign objects or use a suitable saw blade.
- Only use intact, flawless saw blades. Bent, blunt or otherwise damaged saw blades could break.
- When sawing lightweight construction materials, make sure to observe the legal regulations and recommendations of the material manufacturers.
- Use a narrow saw blade when sawing tight curves.
- If the saw blade gets jammed in the workpiece, switch off the power tool immediately. The sawing gap should be slightly widened with a suitable tool so that you can pull out the power tool.
- Switch on the power tool and guide it towards the workpiece to be processed. Place the guide shoe on the surface of the workpiece. Process the workpiece with an even forward motion and contact pressure. After completing the sawing operation, switch off the power tool.
- The saw blade should not be longer than required for the intended cut.



*Plunge-cutting:*

- Only soft materials such as plasterboard or the like may be processed using the plunge-cutting method. Do not process any metals using the plunge-cutting method.
- Use short saw blades for plunge-cutting.
- First place the edge of the guide shoe (14) on the workpiece before switching the power tool on, see Schematic representation *plunge-cutting*. Note that the saw blade must **not** be in contact with the workpiece.
- Select the maximum stroke rate and allow the saw blade to slowly plunge into the workpiece. To do so, bring the saw blade closer to the workpiece while maintaining contact between the edge of the guide shoe (14) and the workpiece.
- As soon as the guide shoe (14) rests on the workpiece, you can continue working along the cutting line.

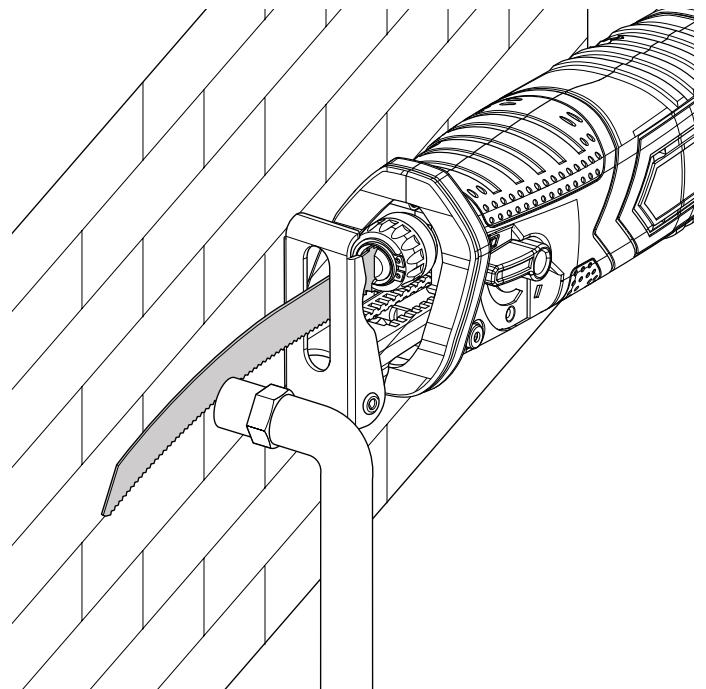
*Schematic representation plunge-cutting:*



*Flush cutting:*

- Using elastic bi-metal saw blades you can saw off protruding objects such as water pipes or the like directly at the wall.
- Make sure that the saw blade extends beyond the diameter or thickness of the object, otherwise there is a risk of kickbacks.
- Apply lateral pressure on the power tool until the bi-metal saw blade and the side of the guide shoe are positioned against the wall, see Schematic representation *flush cutting*.
- Saw through the object applying constant lateral pressure.

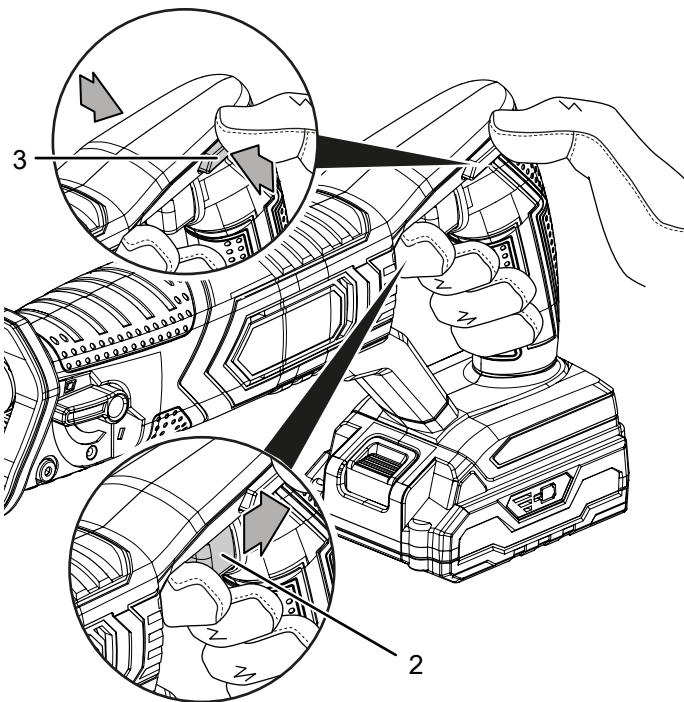
*Schematic representation flush cutting:*



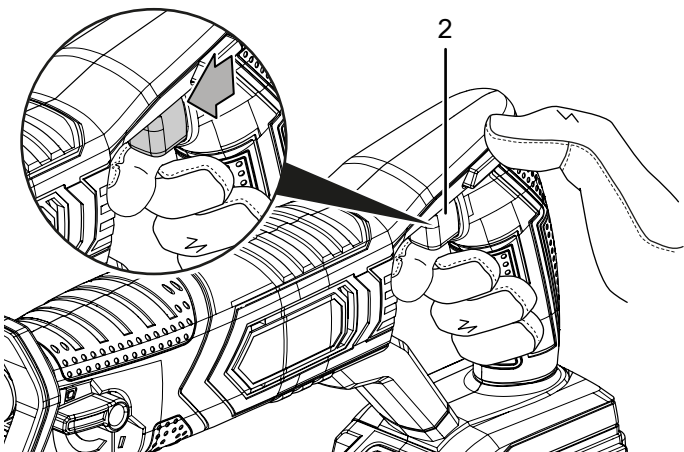
**Switching the device on and off**

Wear your personal protective equipment when working with the device.

1. Check whether the fixed saw blade is suitable for the intended application.
2. Check whether the workpiece is secured and the worktop prepared correspondingly.
3. Hold onto the power tool with both hands.
4. Guide the saw towards the workpiece.
5. Position the guide shoe (14) on the workpiece.
6. Press the on/off switch (2) and hold it during operation.  
You can control the stroke rate by pressing the on/off switch (2): press lightly to select a low stroke rate; press firmly to select a high stroke rate.



7. After completing the sawing operation, let go of the on/off switch (2) to stop the device.



**Shutdown**



**Warning of electrical voltage**

Do not touch the mains plug with wet or damp hands.

- Switch the device off.
- If required, allow the device to cool down.
- Hold onto the mains plug while pulling the power cable of the charger out of the mains socket.
- Remove the battery from the device (see Start-up chapter).
- Remove the tool from the tool holder (see Start-up chapter).
- Clean the device according to the Maintenance chapter.
- Store the device according to the Transport and storage chapter.

**Available accessories**



**Warning**

Only use accessories and additional equipment specified in the instructions. Using insertion tools or accessories other than those specified in the instructions may cause a risk of injury.

Accessories	Article number
Spare battery Multiflex 20 – 2.0 DC	6.200.000.303
Demolition set for wood / metal, 5-piece	6.215.001.201
Carbon steel set, 10-piece	6.215.001.205
Sabre saw blade set set, 12-piece	6.215.001.210

## Errors and faults

The device has been checked for proper functioning several times during production. If malfunctions occur nonetheless, check the device according to the following list.

Troubleshooting tasks which require the housing to be opened must only be carried out by an authorized specialist electrical company or by Trotec.

### Light smoke or odour is emitted during the first use:

- This is not a fault. These phenomena disappear after a brief runtime.

### The battery does not charge:

- Check whether the battery is correctly connected to the quick charger.  
Slide the battery into the quick charger in a way that the battery terminals engage in the quick charger. The battery must lock in place in the quick charger.
- Check the power connection.
- Check the power cable and mains plug for damages.
- Check the fuse (home).
- Check the quick charger for damages. Should the quick charger be damaged, stop using it. Contact the Trotec customer service.
- Check the battery terminals for dirt. Remove any dirt.
- The battery might be defective and have to be replaced. Only use batteries of the same type.

### The device does not start:

- The battery power might be too low. Recharge the battery.
- Check whether the battery is correctly connected to the device.  
Slide the battery onto the device in a way that the battery terminals engage. The battery must lock in place in the device.
- Check the battery terminals for dirt. Remove any dirt.



#### Info

Wait for at least 10 minutes before switching the device back on.

### The saw blade is loose:

- Make sure that the saw blade is firmly locked in place in the designated recesses of the quick-release chuck.
- Make sure that the quick-release chuck is locked.

### The saw blade experiences difficulties penetrating the material to be processed or the sawing performance is insufficient:

- Check whether the pendulum action setting is suitable for the material to be processed.
- If the saw blade is worn, replace it with a new one.

- Check whether the chosen saw blade is suitable for the material to be processed.

### The device becomes hot:

- Make sure not to exert too much pressure on the device during sawing.
- Select a lower stroke rate by applying less pressure on the on/off switch.
- Check whether the chosen saw blade is suitable for the task to be carried out.
- Keep the venting slots clear to prevent the motor from overheating.

### The device still does not operate correctly after these checks:

Please contact the customer service. If necessary, bring the device to an authorised specialist electrical company or to Trotec for repair.

## Maintenance

### Activities required before starting maintenance



#### Warning of electrical voltage

Do not touch the mains plug or the battery with wet or damp hands.

- Switch the device off.
- Allow the device to cool down completely.
- Remove the battery from the device.



#### Warning of electrical voltage

**Maintenance tasks which require the housing to be opened must only be carried out by authorised specialist companies or by Trotec.**

### Notes on maintenance

Inside the device, there are no parts that need to be maintained or lubricated by the user.

### Safety signs on the battery and the charger

Check the safety signs attached to the battery and the charger at regular intervals. Replace illegible safety signs!

### Cleaning

The device should be cleaned before and after each use.

#### Note

The device does not have to be lubricated after cleaning.

**Warning of electrical voltage**

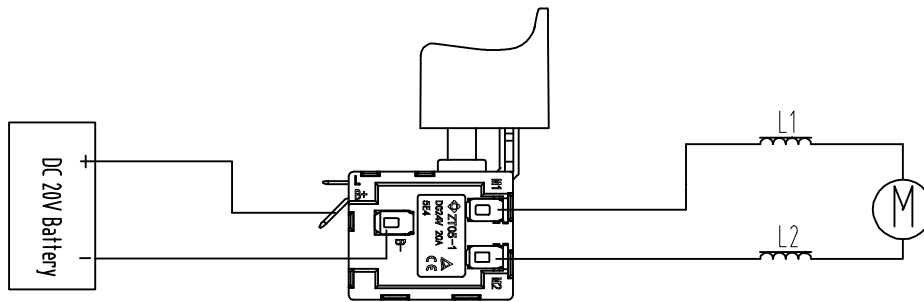
There is a risk of a short-circuit due to liquids penetrating the housing!

Do not immerse the device and the accessories in water. Make sure that no water or other liquids can enter the housing.

- Clean the device with a soft, damp and lint-free cloth. Make sure that no moisture enters the housing. Protect electrical components from moisture. Do not use any aggressive cleaning agents such as cleaning sprays, solvents, alcohol-based or abrasive cleaners to dampen the cloth.
- Dry the device with a soft, lint-free cloth.
- Dry the saw blades with a soft, lint-free cloth.
- Keep the connecting terminals on the device and charger clean.
- Remove any dust deposits and, if applicable, wood chips or material residues from the quick-release chuck.
- Keep the ventilation openings free from dust deposits to prevent overheating of the motor.

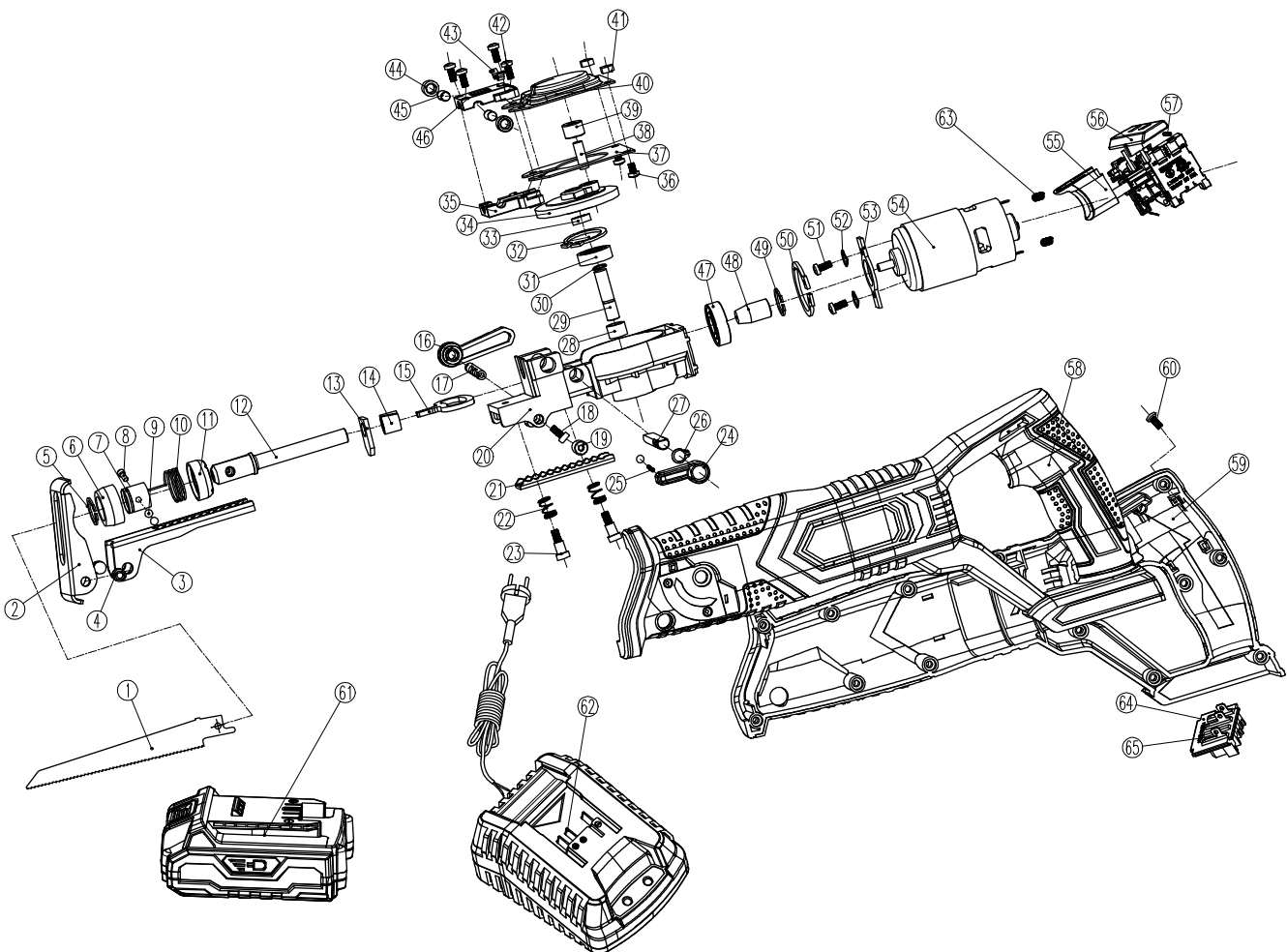
Technical annex

Circuit diagram



Overview of spare parts

**Note:** The position numbers of the spare parts differ from those describing the positions of the components mentioned in these instructions.



## Spare parts list

NO.	SPARE PART	NO.	SPARE PART
1	Saw blade	34	Big gear
2	Protective floor	35	Reciprocating rod positioning seat
3	Protective orbit	36	Pan head screw with cross groove M4 x 6
4	Flat head semi-hollow rivet Ø6 x 8 mm	37	Cover plate
5	Circlip for shaft Ø16 mm	38	Straight pin
6	Clamping sleeve	39	Gear shaft sleeve
7	Tool bar fixing sleeve	40	Cover plate
8	Tool rod pin	41	Hexagonal nut M4
9	Steel ball Ø5 mm	42	Pan head screw with cross groove M4 x 12
10	Tool rod torsion spring	43	Reset the shell
11	Clamping sleeve	44	Axle sleeve
12	Cutter bar	45	Alignment pin
13	Block felt	46	Reciprocating bar ram
14	Sleeve	47	Deep groove ball bearing
15	Impact cutter bar	48	The motor gear
16	Track lock knob	49	Circlip for shaft Ø12 mm
17	Track lock knob insert	50	Circlip for hole
18	Hexagon socket cap screw M4 x 6	51	Pan head screw with cross groove M4 x 8
19	Washer	52	Spring washers Ø4
20	Gear box body	53	Bracket for motor
21	Rail clips	54	Motor
22	Track clamp reset spring	55	Switch
23	Track platen positioning screw	56	Safety switch
24	Knife lifting knob	57	Switch safety spring
25	Knife lifting knob spring	58	Housing
26	Circlip for shaft Ø8 mm	59	Self-locking push rod
27	Knife lifting knob insert	60	Inductance
28	Oilite bushing Ø12 x Ø8 x 10 mm	61	Dual battery pack components
29	The big gear shaft	62	Charger
30	Circlip for shaft Ø8 mm	63	Cross groove pan head self tapping screw ST4.2 x 13
31	Deep groove ball bearing	64	Fuselage insert bracket
32	Circlip for hole	65	Positive pole of motor conductor
33	Washer		



## Disposal

Always dispose of packing materials in an environmentally friendly manner and in accordance with the applicable local disposal regulations.



The icon with the crossed-out waste bin on waste electrical or electronic equipment is taken from Directive 2012/19/EU. It states that this device must not be disposed of with the household waste at the end of its life. You will find collection points for free return of waste electrical and electronic equipment in your vicinity. The addresses can be obtained from your municipality or local administration. You can also find out about other return options that apply for many EU countries on the website <https://hub.trotec.com/?id=45090>. Otherwise, please contact an official recycling centre for electronic and electrical equipment authorised for your country.

The separate collection of waste electrical and electronic equipment aims to enable the re-use, recycling and other forms of recovery of waste equipment as well as to prevent negative effects for the environment and human health caused by the disposal of hazardous substances potentially contained in the equipment.



**Li-Ion** In the European Union, batteries and accumulators must not be treated as domestic waste, but must be disposed of professionally in accordance with Directive 2006/66/EC of the European Parliament and of the Council of 6 September 2006 on batteries and accumulators. Please dispose of batteries and accumulators according to the relevant legal requirements.

### Only for United Kingdom

According to Waste Electrical and Electronic Equipment Regulations 2013 (SI 2013/3113) (as amended) and the Waste Batteries and Accumulators Regulations 2009 (SI 2009/890) (as amended), devices that are no longer usable must be collected separately and disposed of in an environmentally friendly manner.

## Declaration of conformity

Declaration of conformity in accordance with the EC Machinery Directive 2006/42/EC, Annex II, Part 1, Section A

We – Trotec GmbH – declare in sole responsibility that the product designated below was developed, constructed and produced in compliance with the requirements of the EC Machinery Directive in the version 2006/42/EC.

**Product model / Product:** PRCS 10-20V

**Product type:** cordless sabre saw

**Year of manufacture as of:** 2023

### Relevant EU directives:

- 2011/65/EU
- 2012/19/EU
- 2014/30/EU
- 2015/863/EU

### Applied harmonised standards:

- EN 62841-1:2015
- EN 62841-2-11:2016+A1:2020

### Applied national standards and technical specifications:

- EN IEC 55014-1:2021
- EN IEC 55014-2:2021

### Manufacturer and name of the authorised representative of the technical documentation:

Trotec GmbH

Grebbeener Straße 7, D-52525 Heinsberg

Phone: +49 2452 962-400

E-mail: [info@trotec.de](mailto:info@trotec.de)

Place and date of issue:

Heinsberg, 18.01.2023



Joachim Ludwig, Managing Director

Trotec GmbH

Grebener Str. 7  
D-52525 Heinsberg

☎ +49 2452 962-400

☎ +49 2452 962-200

✉ [info@trotec.com](mailto:info@trotec.com)

[www.trotec.com](http://www.trotec.com)