

EN

ORIGINAL INSTRUCTIONS
SABRE SAW



Table of contents

Notes regarding the instructions 2

Safety 2

Information about the device 7

Transport and storage 8

Start-up 9

Operation 11

Errors and faults 13


Maintenance 14


Disposal 14


Declaration of conformity 15

Notes regarding the instructions


Symbols


 **Warning of electrical voltage**
This symbol indicates dangers to the life and health of persons due to electrical voltage.

 **Warning of hot surface**
This symbol indicates dangers to the life and health of persons due to hot surface.


 **Warning of sharp object**
This symbol indicates dangers to the life and health of persons due to pointed objects.


 **Warning of hand injuries**
This symbol indicates dangers to the health of persons due to hand injuries.

 **Warning**
This signal word indicates a hazard with an average risk level which, if not avoided, can result in serious injury or death.


 **Caution**
This signal word indicates a hazard with a low risk level which, if not avoided, can result in minor or moderate injury.


Note
This signal word indicates important information (e.g. material damage), but does not indicate hazards.


 **Info**
Information marked with this symbol helps you to carry out your tasks quickly and safely.


 **Follow the manual**
Information marked with this symbol indicates that the instructions must be observed.

 **Wear hearing protection**
Information marked with this symbol indicates that you should wear hearing protection.

 **Wear safety glasses**
Information marked with this symbol indicates that you should wear eye protection.

 **Wear a protective mask**
Information marked with this symbol indicates that you should wear a protective mask.

 **Wear protective clothing**
Information marked with this symbol indicates that you should wear protective clothing.

 **Wear protective gloves**
Information marked with this symbol indicates that you should wear protective gloves.

You can download the current version of these instructions via the following link:




PRCS 10-850



<https://hub.trotec.com/?id=41220>

Safety

General Power Tool Safety Warnings

 **Warning**
Read all safety warnings, instructions, illustrations and specifications provided with this power tool.
Failure to follow all instructions listed below may result in electric shock, fire and/or serious injury.
Save all warnings and instructions for future reference.

The term *power tool* in the warnings refers to your mains-operated (corded) power tool or battery-operated (cordless) power tool.

 **General Power Tool Safety Warnings – Work area safety**

- **Keep work area clean and well lit.** Clutter or dark areas invite accidents.
- **Do not operate power tools in explosive atmosphere, such as in the presence of flammable liquids, gases or dust.** Power tools create sparks which may ignite the dust or fumes.
- **Keep children and bystanders away while operating a power tool.** Distractions can cause you to lose control.

 **General Power Tool Safety Warnings – Electrical safety**

- **Power tool plugs must match the outlet. Never modify the plug in any way. Do not use any adapter plugs with earthed (grounded) power tools.** Unmodified plugs and matching outlets will reduce risk of electric shock.
- **Avoid body contact with earthed or grounded surfaces, such as pipes, radiators, ranges and refrigerators.** There is an increased risk of electric shock if your body is earthed or grounded.
- **Do not expose power tools to rain or wet conditions.** Water entering a power tool will increase the risk of electric shock.
- **Do not abuse the cord. Never use the cord for carrying, pulling or unplugging the power tool. Keep cord away from heat, oil, sharp edges or moving parts.** Damaged or entangled cords increase the risk of electric shock.
- **When operating a power tool outdoors, use an extension cord suitable for outdoor use.** Use of a cord suitable for outdoor use reduces the risk of electric shock.
- **If operating a power tool in a damp location is unavoidable, use a residual current device (RCD) protected supply.** Use of an RCD reduces the risk of electric shock.

 **General Power Tool Safety Warnings – Personal safety**

- **Stay alert, watch what you are doing and use common sense when operating a power tool. Do not use a power tool while you are tired or under the influence of drugs, alcohol or medication.** A moment of inattention while operating power tools may result in serious personal injury.
- **Use personal protective equipment. Always wear eye protection.** Protective equipment such as a dust mask, non-skid safety shoes, hard hat or hearing protection used for appropriate conditions will reduce personal injuries.

- **Prevent unintentional starting. Ensure the switch is in the off-position before connecting to power source and/or battery pack, picking up or carrying the tool.** Carrying power tools with your finger on the switch or energising power tools that have the switch on invites accidents.
- **Remove any adjusting key or wrench before turning the power tool on.** A wrench or a key left attached to a rotating part of the power tool may result in personal injury.
- **Do not overreach. Keep proper footing and balance at all times.** This enables better control of the power tool in unexpected situations.
- **Dress properly. Do not wear loose clothing or jewellery. Keep your hair and clothing away from moving parts.** Loose clothes, jewellery or long hair can be caught in moving parts.
- **If devices are provided for the connection of dust extraction and collection facilities, ensure these are connected and properly used.** Use of dust collection can reduce dust-related hazards.
- **Do not let familiarity gained from frequent use of tools allow you to become complacent and ignore tool safety principles.** A careless action can cause severe injury within a fraction of a second.

 **General Power Tool Safety Warnings – Power tool use and care**

- **Do not force the power tool. Use the correct power tool for your application.** The correct power tool will do the job better and safer at the rate for which it was designed.
- **Do not use the power tool if the switch does not turn it on and off.** Any power tool that cannot be controlled with the switch is dangerous and must be repaired.
- **Disconnect the plug from the power source and/or remove the battery pack, if detachable, from the power tool before making any adjustments, changing accessories, or storing power tools.** Such preventive safety measures reduce the risk of starting the power tool accidentally.
- **Store idle power tools out of the reach of children and do not allow persons unfamiliar with the power tool or these instructions to operate the power tool.** Power tools are dangerous in the hands of untrained users.
- **Maintain power tools and accessories. Check for misalignment or binding of moving parts, breakage of parts and any other condition that may affect the power tool's operation. If damaged, have the power tool repaired before use.** Many accidents are caused by poorly maintained power tools.

- **Keep cutting tools sharp and clean.** Properly maintained cutting tools with sharp cutting edges are less likely to bind and are easier to control.
- **Use the power tool, accessories and tool bits etc. in accordance with these instructions, taking into account the working conditions and the work to be performed.** Use of the power tool for operations different from those intended could result in a hazardous situation.
- **Keep handles and grasping surfaces dry, clean and free from oil and grease.** Slippery handles and grasping surfaces do not allow for safe handling and control of the tool in unexpected situations.



General Power Tool Safety Warnings – Service

- **Have your power tool serviced by a qualified repair person using only identical replacement parts.** This will ensure that the safety of the power tool is maintained.



Device-specific safety warnings for sabre saws

- **Use clamps or another practical way to secure and support the workpiece to a stable platform.** Holding the workpiece by your hand or against the body leaves it unstable and may lead to loss of control.
- **Use appropriate detection equipment to track down concealed supply lines or consult the local utility companies.** Contact with electrical lines may result in fire and electric shock. Damaging a gas line may lead to an explosion. Penetrating a water line causes property damage and may cause an electric shock.
- **Vibrations can be harmful to the human hand-arm system.** Keep the vibration exposure time to a minimum.
- **Clean the shank of the saw blade before inserting it.** A dirty shank cannot be fastened securely.
- **Check the saw blade for tight fit.** A loose saw blade could fall out and injure you.
- **Before switching on the power tool, ensure that the insertion tool can move freely.** If the device is switched on with a jammed insertion tool, the resulting forces can be extreme causing the device to kick out sideways.
- **Do not work on moistened material or moist surfaces.**
- **Only hold the power tool against the workpiece when the tool is switched on and running.** Otherwise there is a risk of kickbacks.
- **Make sure that the guide shoe is positioned securely on the contact face during sawing.** A jammed saw blade could break or cause a kickback.

- **Keep your hands out of the sawing area.** Do not reach underneath the workpiece. Risk of injury upon contact with the saw blade.
- **Keep your hands away from lifting rod and quick-release chuck.** Crushing hazard upon contact with these components.
- **Ensure sufficient ventilation.**
- **Regularly check the quick-release chuck for wear or damage.**
- **Only use intact, flawless saw blades.** Bent and blunt saw blades could break or cause a kickback.
- **Do not attempt to slow down the saw blade movement by pressing against the blade from the side once the device is switched off.** The saw blade could be damaged, break or cause a kickback.
- **Switch off the power tool when your operation is completed, but do not remove the saw blade from the kerf until it has come to a standstill.** This serves to avoid a kickback, then you can put the power tool down safely.
- **Immediately switch off the power tool if the insertion tool blocks.** The power tool can lash out to the side owing to the forces that build up consequently.
- **Wait until the power tool has come to a standstill, before putting it down.** The insertion tool could get caught resulting in a loss of control of the power tool.



Safety warnings for reciprocating saws

- **Hold the power tool by its insulated gripping surfaces when performing an operation where the cutting accessory may contact hidden wiring or its own cord.** Cutting a "live" wire may make exposed metal parts of the power tool "live" and could give the operator an electric shock.
- **Use clamps or another practical way to secure and support the workpiece to a stable platform.** Holding the workpiece by your hand or against the body leaves it unstable and may lead to loss of control.

Intended use

Only use the device PRCS 10-850 for sawing plastic, wood, metal and building materials using the suitable saw blade.

The device may be used for:

- sawing work,
- straight and curved cuts,
- flush cutting of protruding workpieces

whilst adhering to the technical data (see instructions).

We recommend using the power tool with original Trotec accessories.

Foreseeable misuse

- The device is not intended for processing glass or stone.

Any other use than the one described in the chapter "Intended use" is regarded as reasonably foreseeable misuse.

Personnel qualifications

People who use this device must:

- have read and understood the instructions, especially the Safety chapter.

Personal protective equipment



Wear hearing protection.

Excessive noise can lead to hearing loss.



Wear eye protection.

With it you protect your eyes from splintering, falling and flying pieces which could cause injuries.



Wear a protective mask.

It saves you from inhaling harmful dusts generated when processing workpieces.



Wear protective gloves.

They protect your hands from burns, crushing injuries and skin abrasions.



Wear tight-fitting protective clothing.

This protects you from the draw-in and entanglement hazard posed by rotating parts.

Residual risks



Warning of electrical voltage

Electric shock due to insufficient insulation!

Check the device for damages and proper functioning before each use.

If you detect damages, do not use the device any longer.

Do not use the device when either the device or your hands are damp or wet!



Warning of electrical voltage

Work on the electrical components must only be carried out by an authorised specialist company!



Warning of electrical voltage

Before any work on the device, remove the mains plug from the mains socket!

Do not touch the mains plug with wet or damp hands. Hold onto the mains plug while pulling the power cable out of the mains socket.



Warning of electrical voltage

There is a risk of a short-circuit due to liquids penetrating the housing!

Do not immerse the device and the accessories in water. Make sure that no water or other liquids can enter the housing.



Warning of hot surface

The insertion tool might still be hot after the application. Burn hazard when touching the insertion tool.

Do not touch the insertion tool bare-handed! Wear protective gloves!



Warning of hand injuries

Crushing hazard near saw blade and guide shoe if handled without due care.

Wear protective gloves!



Warning of sharp object

Parts of the saw blade are sharp. Risk of injuries if handled without due care.

Wear protective gloves!



Warning

Toxic dusts!



The harmful / toxic dusts produced during operation pose of risk to the health of the operator and persons in the vicinity.

Wear eye protection and a dust mask!



Warning

Do not process materials containing asbestos. Asbestos is considered carcinogenic.

**Warning**

Make sure not to hit power, gas or water lines when working with a power tool.
If necessary, use a pipe detector to check the wall you want to drill in or slit open.

**Warning**

Risk of injuries caused by flying parts or bursting tool heads.

**Warning**

Dangers can occur at the device when it is used by untrained people in an unprofessional or improper way! Observe the personnel qualifications!

**Warning**

The device is not a toy and does not belong in the hands of children.

**Warning**

Risk of suffocation!
Do not leave the packaging lying around. Children may use it as a dangerous toy.

**Caution**

Vibration emissions can cause a health hazard if the device is used for an extended period of time or if it is not properly handled and maintained.

**Caution**

Keep a sufficient distance from heat sources.

Note

If you store or transport the device improperly, the device may be damaged.
Note the information regarding transport and storage of the device.

Behaviour in the event of an emergency / emergency stop function

Emergency stop:

Removing the mains plug from the mains socket results in the function of the device immediately stopping. In order to secure the device against accidental switch-on, leave the mains plug disconnected.

Behaviour in the event of an emergency:

1. Switch the device off.
2. In an emergency, disconnect the device from the mains feed-in: Hold onto the mains plug while pulling the power cable out of the mains socket.
3. Do not reconnect a defective device to the mains.

Information about the device

Device description

The device PRCS 10-850 can be used for sawing work, straight and curved cuts as well as flush cutting of wood, plastic, metal and building materials.

The device is equipped with a quick-release mechanism compatible with S-shank and 1/2" universal shank saw blades for wood and metal as well as with flexible bi-metal saw blades for flush cutting. The saw blades can be exchanged without tools.

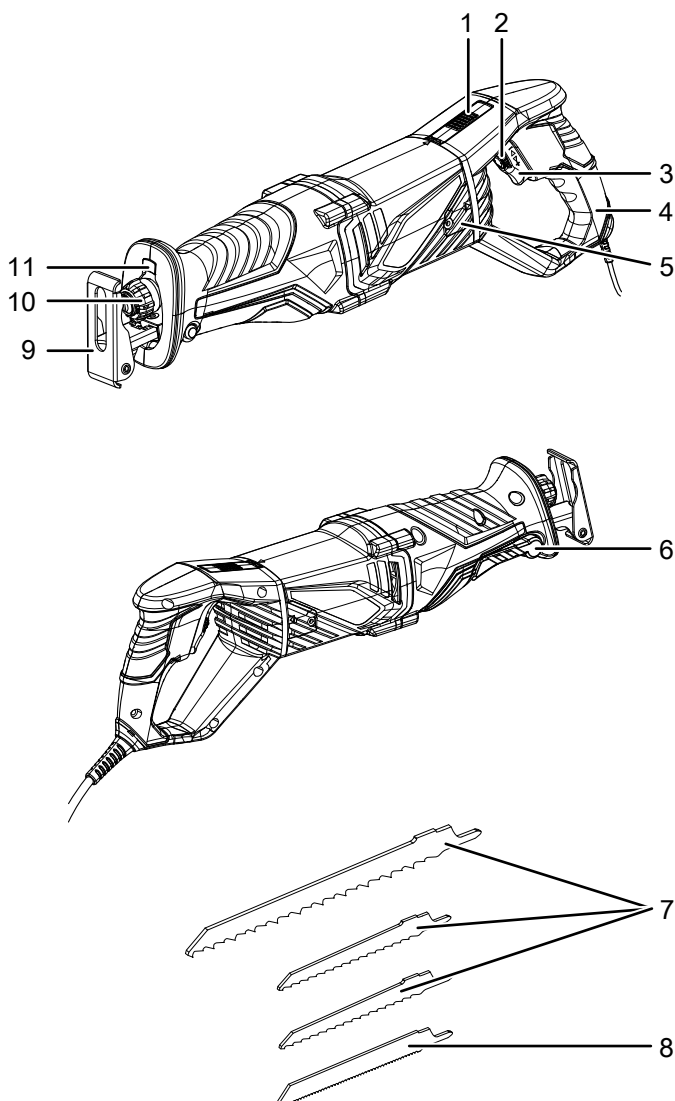
The 850 W motor has a stroke rate of 0 spm to 2,800 spm. The stroke rate can be steplessly adjusted during operation.

The guide shoe can be tilted by 30° and its length can be adjusted without tools.

The handle can be rotated to the left and to the right by 90°.

The work area can be illuminated by the integrated light (LED).

Device depiction



No.	Designation
1	Release button
2	Stroke rate setting wheel
3	On/off switch / stroke rate control
4	Rotatable handle
5	Carbon brush cover
6	Guide shoe locking lever
7	Saw blade HCS wood
8	Saw blade BIM metal
9	Guide shoe
10	Quick-release chuck
11	LED work light

Scope of delivery

- 1 x Device PRCS 10-850
- 2 x Saw blade HCS wood (10 TPI)
- 1 x Saw blade HCS wood (4 TPI)
- 1 x Saw blade BIM metal (18 TPI)
- 1 x Transport case
- 1 x manual

Technical data

Parameter	Value						
Model	PRCS 10-850						
Mains supply	~ 230 V / 50 Hz						
Power consumption	0.85 kW						
Stroke rate at no load	0 spm to 2,800 spm						
Stroke	28 mm						
Max. cutting depth	<table border="0"> <tr> <td>Wood</td> <td>160 mm</td> </tr> <tr> <td>Metal</td> <td>8 mm</td> </tr> <tr> <td>Aluminium</td> <td>12 mm</td> </tr> </table>	Wood	160 mm	Metal	8 mm	Aluminium	12 mm
Wood	160 mm						
Metal	8 mm						
Aluminium	12 mm						
Cable length	3 m						
Protection class	II (double insulation) /						
Weight	2.5 kg						
Vibration information according to EN 62841							
Total vibration emission value:							
Sawing boards $a_{h,B}$	7.675 m/s ²						
Uncertainty K	1.5 m/s ²						
Sawing wooden beams $a_{h,WB}$	8.060 m/s ²						
Uncertainty K	1.5 m/s ²						
Sound values according to EN 62841							
Sound pressure level L_{PA}	83.57 dB(A)						
Sound power L_{WA}	91.57 dB(A)						
Uncertainty K	3 dB						

**Wear hearing protection.**

Excessive noise can lead to hearing loss.

Information on noise and vibration:

- The specified total vibration **and noise emission values** were measured by means of a test procedure standardized in EN 62841 and can be consulted for the comparison of one power tool with another.
- The specified total vibration **and noise emission values** can also be used for preliminary load assessment.

**Caution**

Vibration emissions can cause a health hazard if the device is used for an extended period of time or if it is not properly handled and maintained.

- The actual vibration **and noise emission** may differ from the stated values during operation of the power tool. This depends on how the power tool is used and especially on the type of workpiece being processed. Try to keep the vibration load to a minimum. Exemplary measures for reducing the vibration load include wearing gloves during operation of the tool and the limitation of working hours. All parts of an operating cycle must be considered for this (e.g. times at which the power tool is switched off and times when it is switched on but runs without load).

Transport and storage**Note**

If you store or transport the device improperly, the device may be damaged.

Note the information regarding transport and storage of the device.

Transport

For transporting the device, use the transport case included in the scope of delivery in order to protect the device from external influences.

Before transporting the device, observe the following:

- Switch off the device.
- Hold onto the mains plug while pulling the power cable out of the mains socket.
- Allow the device to cool down.
- Remove the tool from the tool holder.

Storage

Before storing the device, observe the following:

- Switch off the device.
- Hold onto the mains plug while pulling the power cable out of the mains socket.
- Allow the device to cool down.
- Remove the tool from the tool holder.
- Clean the device as described in the Maintenance chapter.
- For storing the device, use the transport case included in the scope of delivery in order to protect the device from external influences.

When the device is not being used, observe the following storage conditions:

- dry and protected from frost and heat
- Ambient temperature below 45 °C
- Protected from dust and direct sunlight inside the transport case

Start-up

Unpacking the device

- Take the transport case out of the packaging.



Warning of electrical voltage

Electric shock due to insufficient insulation!
Check the device for damages and proper functioning before each use.

If you detect damages, do not use the device any longer.

Do not use the device when either the device or your hands are damp or wet!

- Check the contents of the transport case for completeness and look for damages.



Warning

Risk of suffocation!

Do not leave the packaging lying around. Children may use it as a dangerous toy.

- Dispose of the packaging material according to the national regulations.

Changing the saw blade



Warning of electrical voltage

Before any work on the device, remove the mains plug from the mains socket!

Do not touch the mains plug with wet or damp hands. Hold onto the mains plug while pulling the power cable out of the mains socket.



Warning of hot surface

The insertion tool might still be hot after the application. Burn hazard when touching the insertion tool.

Do not touch the insertion tool bare-handed!
Wear protective gloves!



Wear protective gloves

Wear appropriate protective gloves when inserting or exchanging tools.

Note

Before changing the saw blade, remove any material residues from the quick-release chuck.

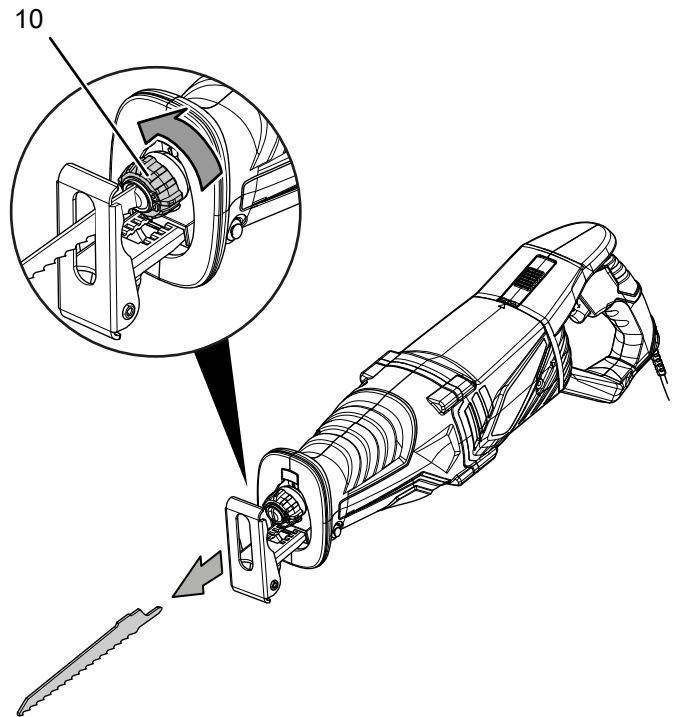
As standard, the device is supplied with 3 saw blades for cutting in wood and one saw blade for cutting in metal.

All saw blades having an S-shank or a 1/2" universal shank can be used for this device. The saw blade should not be longer than required for the cut. A narrow saw blade should be used when sawing tight curves.

Please proceed as follows to remove or insert a saw blade:

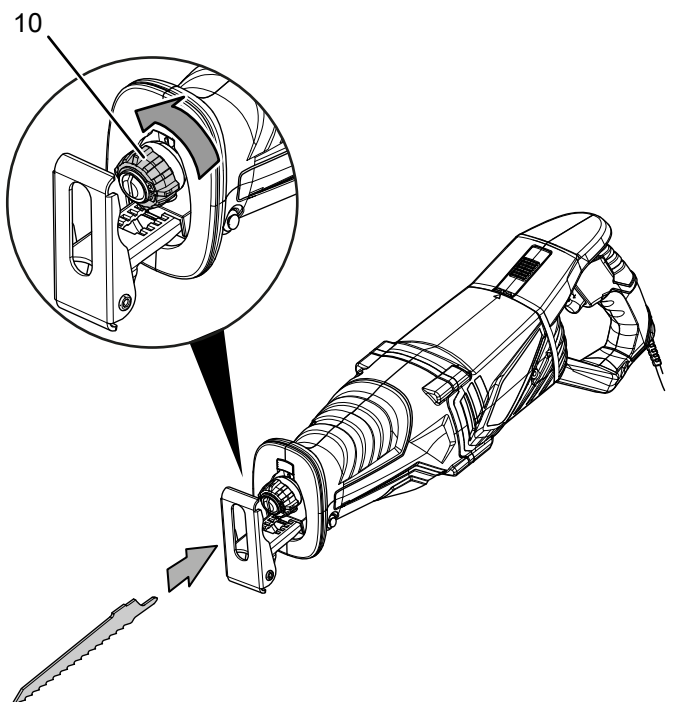
1. Turn the quick-release chuck (10) to the side and hold it in this position.

If required, you can remove the guide shoe to reach the quick-release chuck more easily (see Adjusting the guide shoe).



2. If a saw blade is inserted, remove the saw blade from the quick-release chuck (10).

3. Insert the saw blade into the quick-release chuck. Make sure that the teeth of the saw blade point downwards.



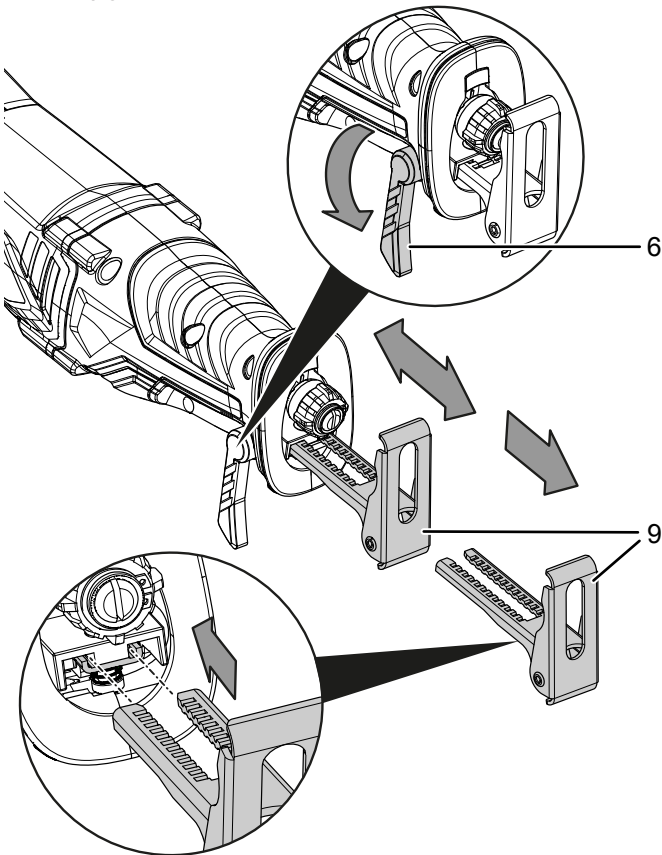
4. Push the saw blade into the quick-release chuck all the way to the stop (10). Use a suitable saw blade with S-shank or ½" universal shank.
5. Let go of the quick-release chuck. The quick-release chuck must return to its initial position.
6. Check whether the saw blade is properly locked in place.

Info
 If you turn the handle, the saw blade can be inserted rotated by 180° (saw blade teeth point in the opposite direction) to enable easier working.

Adjusting the guide shoe

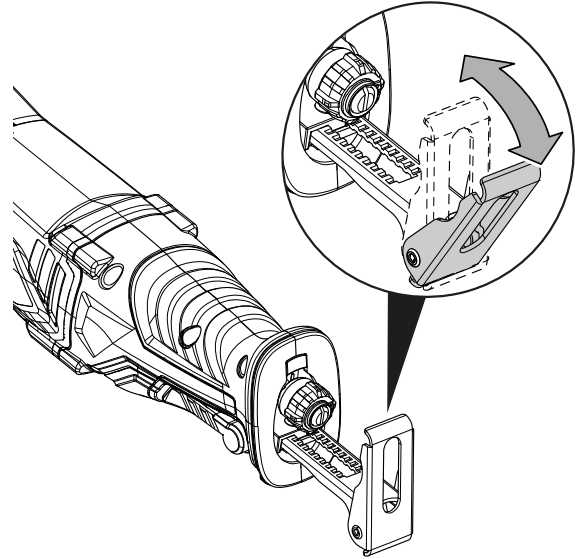
You can adjust the length of the guide shoe to specify the plunging depth. Please note that the shoe guide can only be securely locked up to a certain point. When using a saw blade that is larger than the recess in the guide shoe, or in order to facilitate the tool change, the guide shoe can be removed.

1. Release the locking lever (6).
2. Adjust the guide shoe (9) to the desired length. Should the guide shoe slide out of the guide rail accidentally, it can simply be reinserted.



3. Set the locking lever (6) back to its initial position.
4. Check the guide shoe (9) for tight fit.

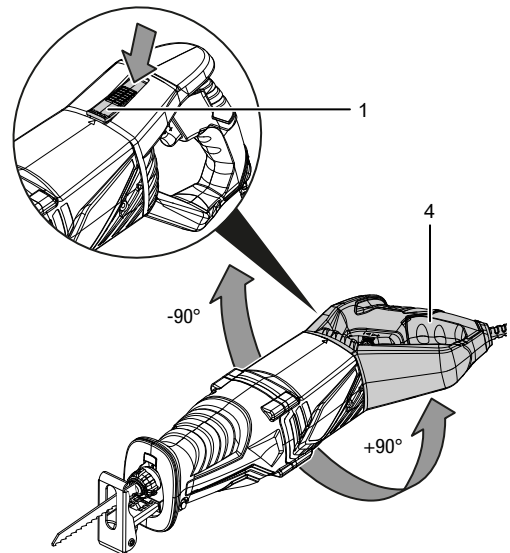
Info
 When the power tool is positioned, the head of the guide shoe adapts to the surface of the workpiece (inclination of up to 30°). After completing the operation, the head of the guide shoe can be brought back to its initial position.



Rotating the handle

The handle (4) can be rotated by 90° to the left or right. As a result the on/off switch might be located in a more favourable position – depending on the application and operating condition.

1. Press the release button (1) and turn the handle (4) clockwise or counter-clockwise.
2. The handle (4) should click into place.



Info
 If you turn the handle, the saw blade can be inserted rotated by 180° (saw blade teeth point in the opposite direction) to enable easier working.

Connecting the power cable

1. Insert the mains plug into a properly secured mains socket.

Operation

Tips and notes on handling the sabre saw

General information:

- Keep the venting slots clear to prevent the motor from overheating.
- Check the tool in the tool holder for proper fit before every application. The tool must be firmly locked in place in the designated holding fixtures in the tool holder.
- Before every application, make sure that you have selected the correct tool and the correct speed for the intended use. By adapting the speed to the task you have planned and to the m to be machined, better results can be obtained.

Sawing:

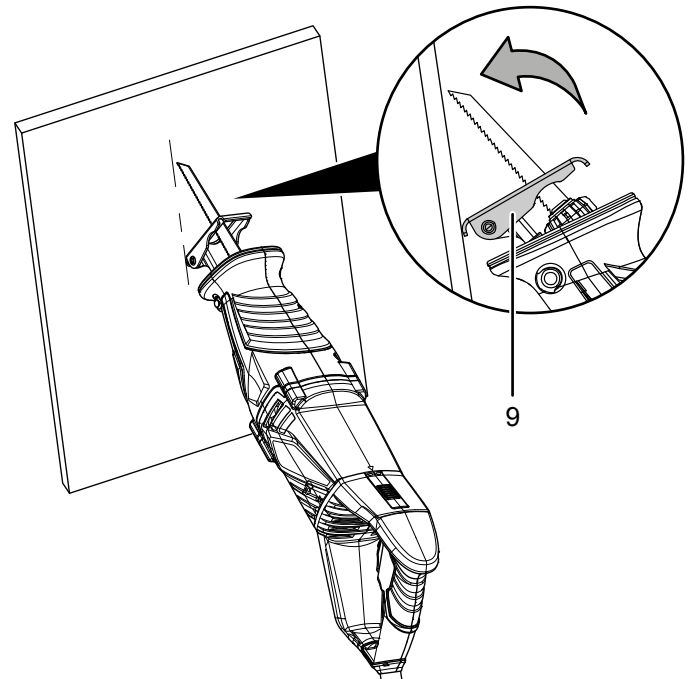
- Before sawing wood, chipboards, building materials etc., check the above for foreign objects, e.g. nails, screws or similar. If required, remove the foreign objects or use a suitable saw blade.
- Only use intact, flawless saw blades. Bent, blunt or otherwise damaged saw blades could break.
- When sawing lightweight construction materials, make sure to observe the legal regulations and recommendations of the material manufacturers.
- Use a narrow saw blade when sawing tight curves.
- If the saw blade gets jammed in the workpiece, switch off the power tool immediately. The sawing gap should be slightly widened with a suitable tool so that you can pull out the power tool.
- Switch on the power tool and guide it towards the workpiece to be processed. Place the guide shoe on the surface of the workpiece. Process the workpiece with an even forward motion and contact pressure. After completing the sawing operation, switch off the power tool.
- The saw blade should not be longer than required for the intended cut.

Plunge-cutting:

- Only soft materials such as plasterboard or the like may be processed using the plunge-cutting method. Do not process any metals using the plunge-cutting method.
- Use short saw blades for plunge-cutting.
- First place the edge of the guide shoe (9) on the workpiece before switching the power tool on, see Schematic representation *plunge-cutting*. Note that the saw blade must **not** be in contact with the workpiece.
- Select the maximum stroke rate and allow the saw blade to slowly plunge into the workpiece. To do so, bring the saw blade closer to the workpiece while maintaining contact between the edge of the guide shoe (9) and the workpiece.

- As soon as the guide shoe (9) rests on the workpiece, you can continue working along the cutting line.

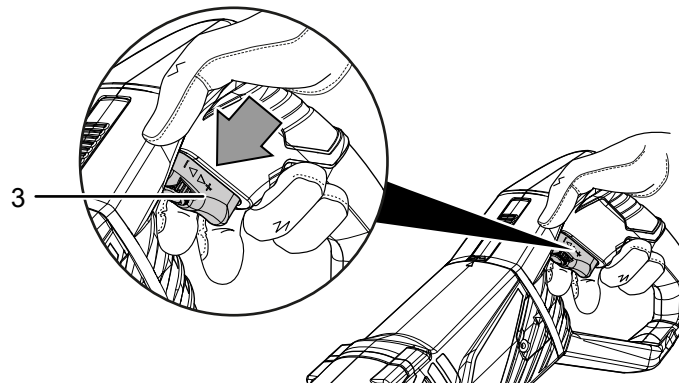
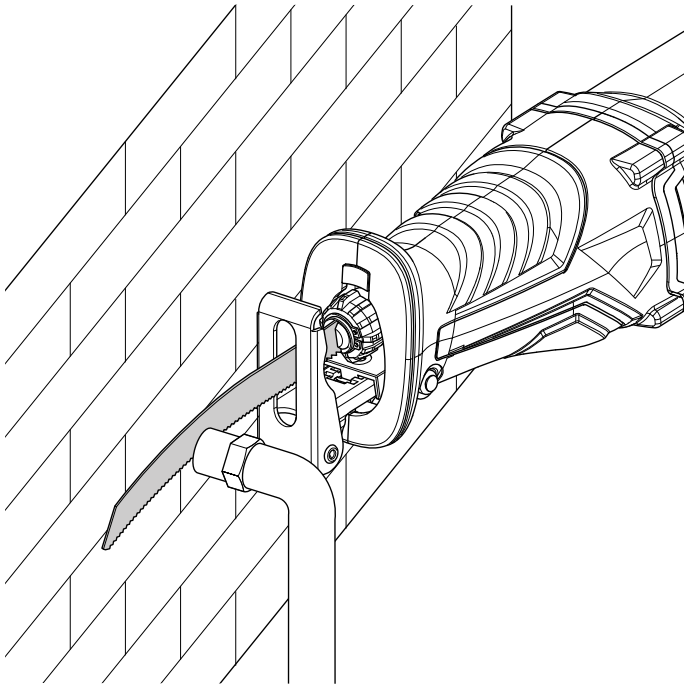
Schematic representation plunge-cutting:



Flush cutting:

- Using elastic bi-metal saw blades you can saw off protruding objects such as water pipes or the like directly at the wall.
- Make sure that the saw blade extends beyond the diameter or thickness of the object, otherwise there is a risk of kickbacks.
- Apply lateral pressure on the power tool until the bi-metal saw blade and the side of the guide shoe are positioned against the wall, see Schematic representation *flush cutting*.
- Saw through the object applying constant lateral pressure.

Schematic representation flush cutting:



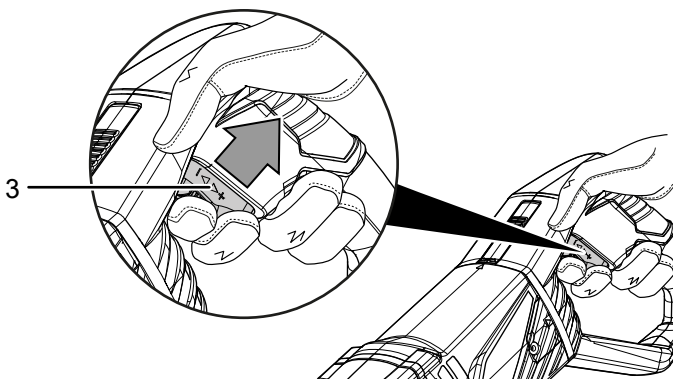
⇒ The LED work light (11) goes out.

Switching the device on and off

Wear your personal protective equipment when working with the device.

1. Check whether the fixed saw blade is suitable for the intended application.
2. Check whether the workpiece is secured and the worktop prepared correspondingly.
3. Hold onto the power tool with both hands.
4. Guide the saw towards the workpiece.
5. Position the guide shoe (9) on the workpiece.
6. Press the on/off switch (3) and hold it during operation. You can control the stroke rate by pressing the on/off switch (3): press lightly to select a low stroke rate; press firmly to select a high stroke rate.

⇒ The LED work light (11) is illuminated.



7. After completing the sawing operation, let go of the on/off switch (3) to stop the device.

Selecting the stroke rate

The required stroke rate depends on various factors. For example, the workpiece as well as the activity and the working conditions have an impact on the required stroke rate. Working with plastic or aluminium, for instance, requires a low stroke rate. Entering the material during plunge-cutting, for instance, requires a high stroke rate.

Change stroke rate during operation:

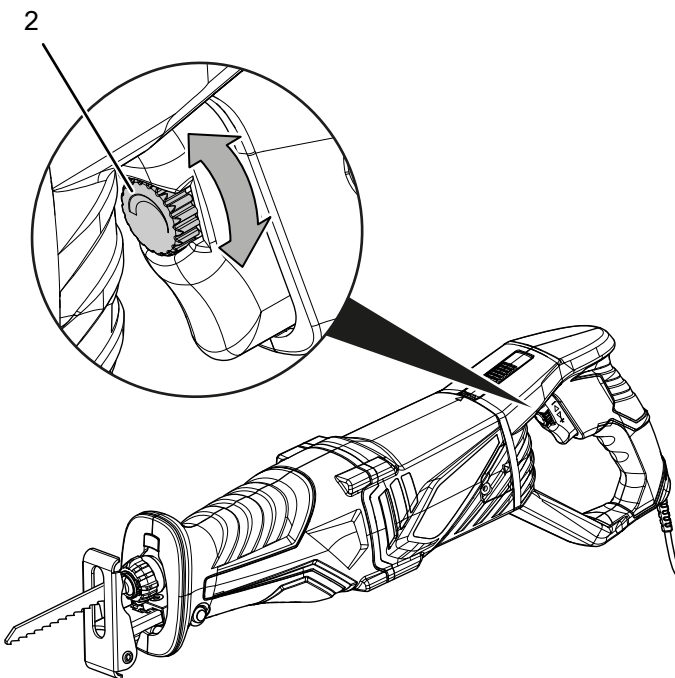
During normal operation the stroke rate is controlled by pressing the on/off switch (3):

- light pressure = low stroke rate
- firm pressure = high stroke rate
- press in completely = maximum stroke rate

Preset maximum stroke rate:

You can select the maximum stroke rate for the operation via the setting wheel (2):

1. Turn the setting wheel (2) towards the + or - to increase or reduce the maximum stroke rate.



Shutdown



Warning of electrical voltage

Do not touch the mains plug with wet or damp hands.

- Switch the device off.
- If required, allow the device to cool down.
- Hold onto the mains plug while pulling the power cable out of the mains socket.
- Remove the tool from the tool holder (see Start-up chapter).
- Clean the device according to the Maintenance chapter.
- Store the device according to the Transport and storage chapter.

Errors and faults

The device has been checked for proper functioning several times during production. If malfunctions occur nonetheless, check the device according to the following list.

Troubleshooting tasks which require the housing to be opened must only be carried out by an authorized specialist electrical company or by Trotec.

Light smoke or odour is emitted during the first use:

- This is not a fault. These phenomena disappear after a brief runtime.

The device does not start:

- Check the power connection.
- Check the power cable and mains plug for damage. If you notice damages, do not try to take the device back into operation.

If the supply cord is damaged, it must be replaced by the manufacturer, its service agent or similarly qualified persons in order to avoid a hazard.

- Check the on-site fusing.



Info

Wait for at least 10 minutes before switching the device back on.

The saw blade is loose:

- Make sure that the saw blade is firmly locked in place in the designated recesses of the quick-release chuck.
- Make sure that the quick-release chuck is locked.

The saw blade experiences difficulties penetrating the material to be processed or the sawing performance is insufficient:

- Check the stroke rate; it must be suitable for both the saw blade and the material.
- If the saw blade is worn, replace it with a new one.
- Check whether the chosen saw blade is suitable for the material to be processed.

The device's performance decreases:

- The carbon brushes may be worn and have to be replaced. Contact the Trotec customer service or an electrically skilled person.

The device becomes hot:

- Make sure not to exert too much pressure on the device during sawing.
- Select a lower stroke rate by applying less pressure on the on/off switch.
- Check whether the chosen saw blade is suitable for the task to be carried out.
- Keep the venting slots clear to prevent the motor from overheating.

The device still does not operate correctly after these checks:

Please contact the customer service. If necessary, bring the device to an authorised specialist electrical company or to Trotec for repair.

Maintenance

Activities required before starting maintenance



Warning of electrical voltage

Do not touch the mains plug with wet or damp hands.

- Switch off the device.
- Hold onto the mains plug while pulling the power cable out of the mains socket.
- Allow the device to cool down completely.



Warning of electrical voltage

Maintenance tasks which require the housing to be opened must only be carried out by authorised specialist companies or by Trotec.

Notes on maintenance

Inside the device, there are no parts that need to be maintained or lubricated by the user.

Cleaning

The device should be cleaned before and after each use.

Note

The device does not have to be lubricated after cleaning.



Warning of electrical voltage

There is a risk of a short-circuit due to liquids penetrating the housing!

Do not immerse the device and the accessories in water. Make sure that no water or other liquids can enter the housing.

- Clean the device with a soft, damp and lint-free cloth. Make sure that no moisture enters the housing. Protect electrical components from moisture. Do not use any aggressive cleaning agents such as cleaning sprays, solvents, alcohol-based or abrasive cleaners to dampen the cloth.
- Dry the device with a soft, lint-free cloth.
- Dry the saw blades with a soft, lint-free cloth.
- Remove any dust deposits and, if applicable, wood chips or material residues from the quick-release chuck.
- Keep the ventilation openings free from dust deposits to prevent overheating of the motor.

Carbon brushes

In case of excessive sparking, have the carbon brushes checked by an electrically skilled person.



Warning

The carbon brushes may only be replaced by an electrically skilled person.

Disposal

Always dispose of packing materials in an environmentally friendly manner and in accordance with the applicable local disposal regulations.



The icon with the crossed-out waste bin on waste electrical or electronic equipment is taken from Directive 2012/19/EU. It states that this device must not be disposed of with the household waste at the end of its life. You will find collection points for free return of waste electrical and electronic equipment in your vicinity. The addresses can be obtained from your municipality or local administration. You can also find out about other return options that apply for many EU countries on the website <https://hub.trotec.com/?id=45090>. Otherwise, please contact an official recycling centre for electronic and electrical equipment authorised for your country.

The separate collection of waste electrical and electronic equipment aims to enable the re-use, recycling and other forms of recovery of waste equipment as well as to prevent negative effects for the environment and human health caused by the disposal of hazardous substances potentially contained in the equipment.

Only for United Kingdom

According to Waste Electrical and Electronic Equipment Regulations 2013 (SI 2013/3113) (as amended) devices that are no longer usable must be collected separately and disposed of in an environmentally friendly manner.

Declaration of conformity

Declaration of conformity in accordance with the EC Machinery Directive 2006/42/EC, Annex II, Part 1, Section A

We – Trotec GmbH – declare in sole responsibility that the product designated below was developed, constructed and produced in compliance with the requirements of the EC Machinery Directive in the version 2006/42/EC.

Product model / Product: PRCS 10-850

Product type: sabre saw

Year of manufacture as of: 2023

Relevant EU directives:

- 2011/65/EU
- 2012/19/EU
- 2014/30/EU
- 2015/863/EU

Applied harmonised standards:

- EN 62841-1:2015
- EN 62841-2-11:2016+A1:2020

Applied national standards and technical specifications:

- EN IEC 55014-1:2021
- EN IEC 55014-2:2021
- EN IEC 61000-3-2:2019/A1:2021
- EN 61000-3-3:2013/A1:2019
- EN 61000-3-3:2013/A2:2021
- EN 62841-1:2015/A11:2022

Manufacturer and name of the authorised representative of the technical documentation:

Trotec GmbH

Grebbener Straße 7, D-52525 Heinsberg

Phone: +49 2452 962-400

E-mail: info@trotec.de

Place and date of issue:

Heinsberg, 18.01.2023



Joachim Ludwig, Managing Director

Trotec GmbH

Grebener Str. 7
D-52525 Heinsberg

☎ +49 2452 962-400

☎ +49 2452 962-200

✉ info@trotec.com

www.trotec.com